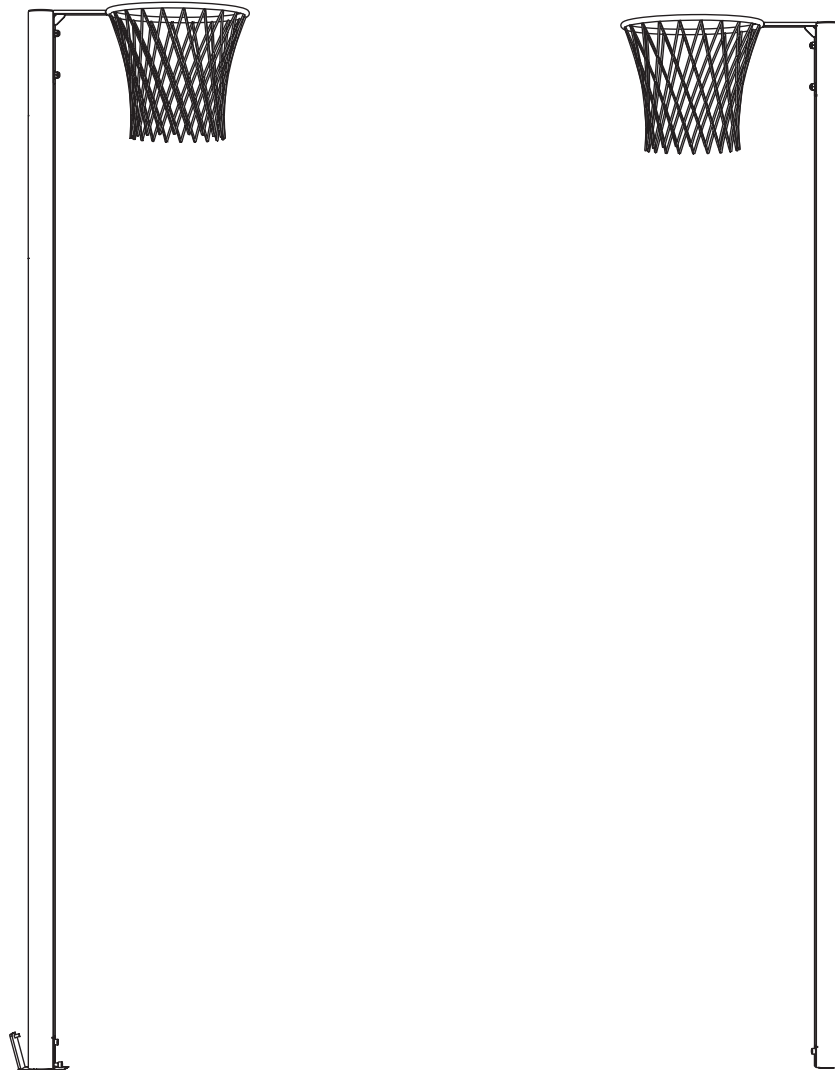


NBL-030, NBL-031, NBL-038

International Netball Posts



2 people are recommended for this assembly
Estimated 30 minutes assembly time (not including time for concrete)

i **IMPORTANT:** Please follow the socket installation instructions that are specific to your Posts. Harrod UK accepts no responsibility for sockets that are incorrectly installed

i **IMPORTANT:** Please read these assembly instructions carefully before starting to anchor your team shelter

Code NBL-030, NBL-031, NBL-038

Product International Netball Posts



Pack Contents

International Netball Posts

1. Uprights
2. Rings
3. Sockets

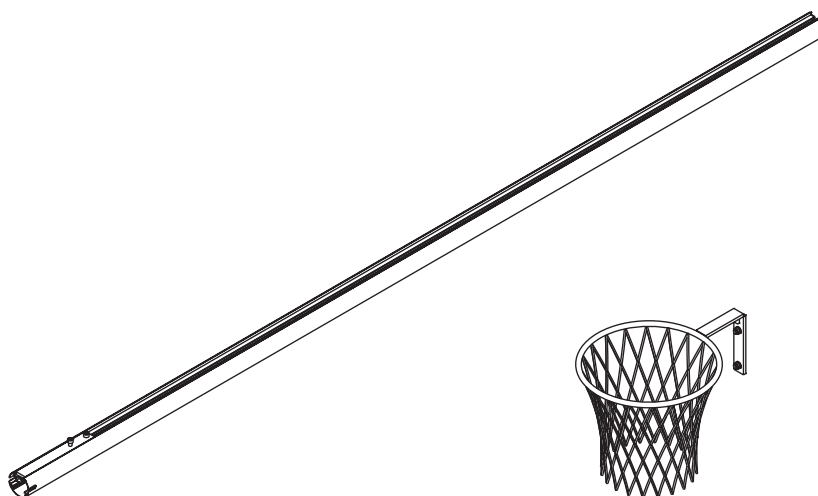
Options, Extras & Spares

NBL-055 White Post Protector

NBL-056 Multi Colour Post Protector

NBL-057 Single Colour Post Protector

NBL-035 International Nets (Pair)



Tools Required



1x 17mm Spanner



1x 8mm Hex Key



1x Spirit Level

1

x1
FEQ233

2

x1
NBL-006

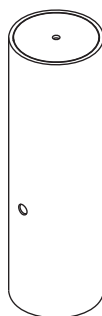


HINT: Net is packed in fittings pack with Ring



IMPORTANT: Please quote part numbers when ordering replacement parts

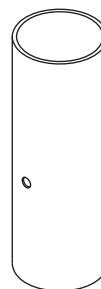
NBL-030
Indoor



3

x1
FEQ626

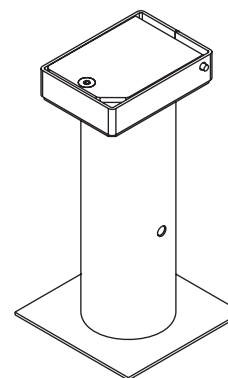
NBL-031
Sprung
Floor



3

x1
FEP292

NBL-038
Outdoor



3

x1
FEP282



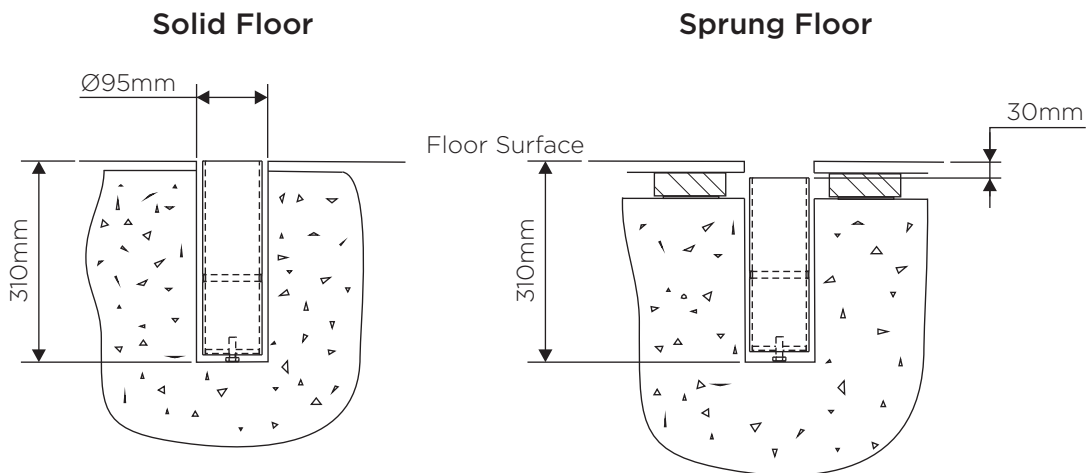
IMPORTANT: Please identify your Socket and follow the appropriate instructions

Indoor Socket Installation

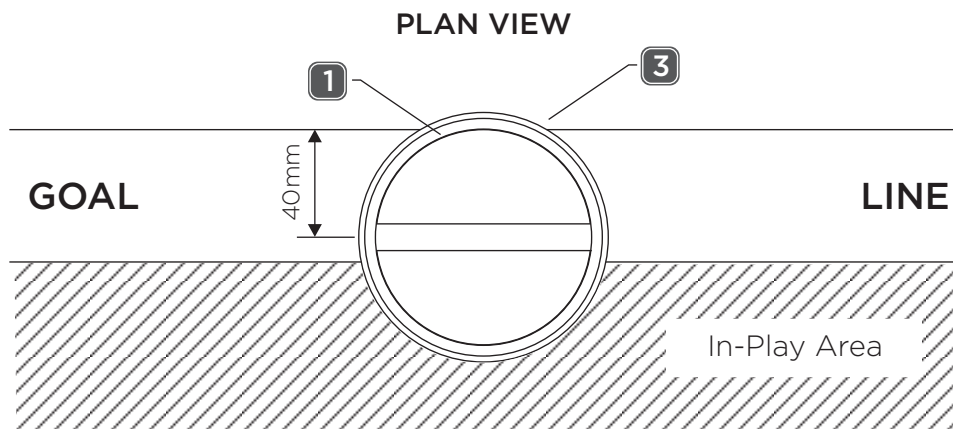
i **IMPORTANT:** Sockets require **professional installation**. We recommend great care is taken when drilling to ensure no damage is caused to the damp-proof membrane. Harrod UK cannot accept any liability for any damage that may be caused

! **WARNING:** Pipe work and under floor heating **must** be taken into consideration when positioning sockets

 **1** Drill a Ø95mm hole 310mm deep. Adjust height of Socket **3** using the bolt underneath until correct depth is achieved. Secure Socket using epoxy masonry adhesive and allow to set



i **IMPORTANT:** See floor contractor for appropriate floor cap and housing for the Sprung Floor Socket (NBL-031)

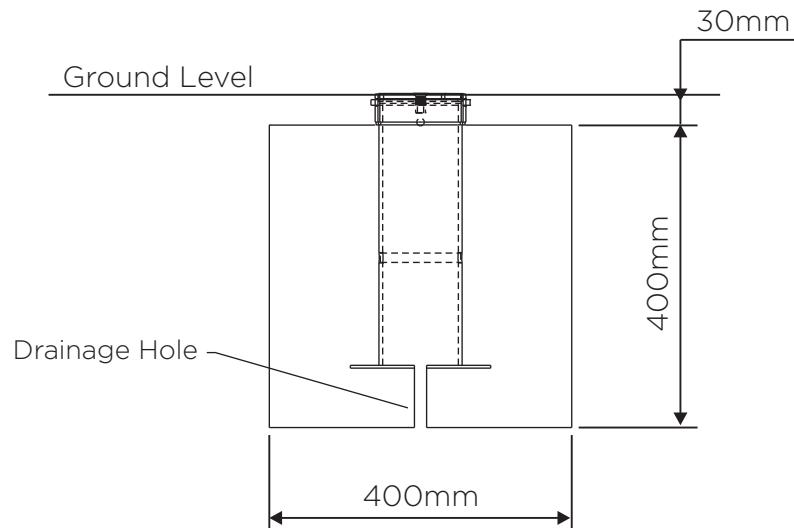


i **IMPORTANT:** Back of Post **1** must be level with back of goal line and pin in Socket **3** must be parallel to prevent misalignment

Outdoor Socket Installation

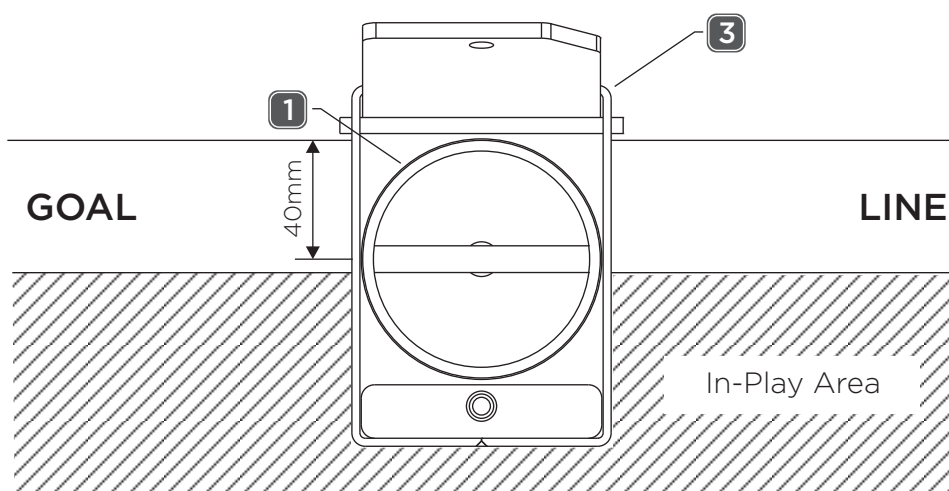


1 Dig holes at a **minimum** 400mm³ and concrete in Sockets 3. Concrete up to the underside of the Locking Lid



i **IMPORTANT:** Back of Post 1 must be level with back of goal line and pin in Socket 3 must be parallel to prevent misalignment

PLAN VIEW



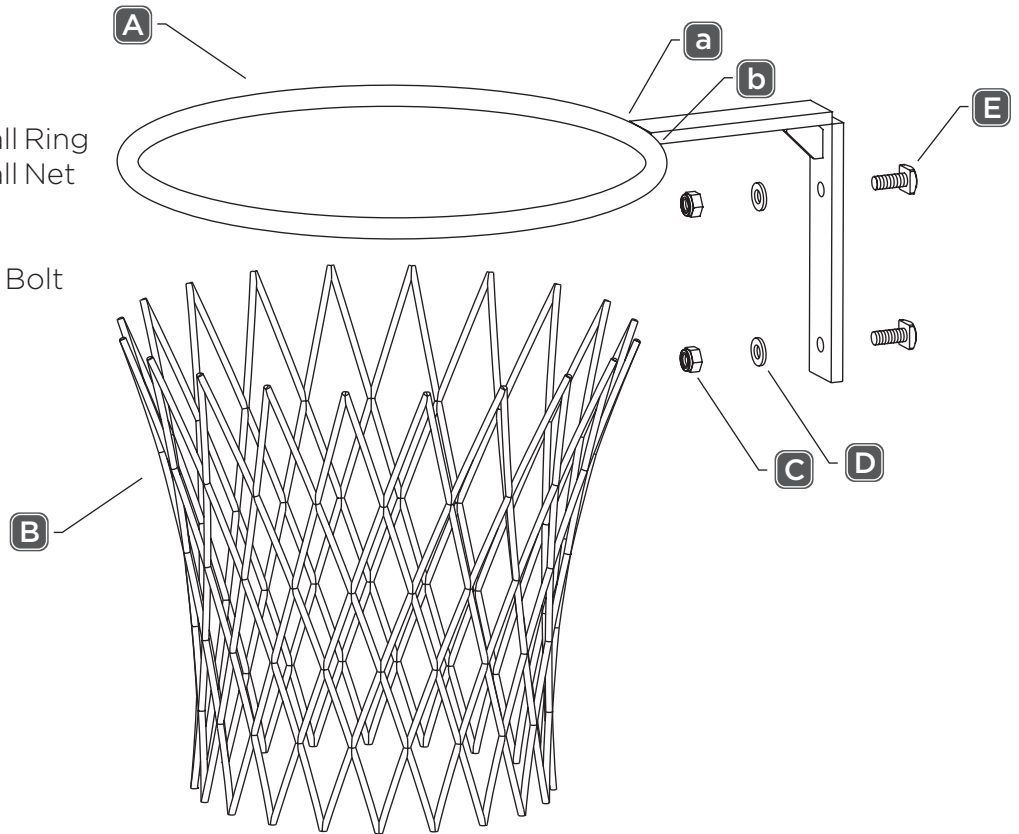
i **IMPORTANT:** Consult a construction engineer for advice where required. Ensure concrete has fully hardened before proceeding with your assembly

Net Instructions

HINT: Loosen Nyloc Nuts **C** from the Netball Ring assembly rather than removing Square Bolts **E** completely

Rings **2**

- A. International Netball Ring
- B. International Netball Net
- C. M10 Nyloc Nut
- D. M10 Nylon Washer
- E. M10x25mm Square Bolt



1 Unpack the Nets **B** and pull into shape, the long loops attach to the ring. Tie a knot at **a** on the Ring **A**, then create the first knot shown below at **b**, capturing one of the loops in the Net tie at the base of the Ring. Create each knot approximately 2 inches apart. On every other knot attach a loop of the Net, continue around the Ring until the Net is fully attached. **Note:** Make sure the main part of the knot is at the front of Ring as shown. Adjust the spacing until correct Net shape is achieved and tie off the end to secure at **b**

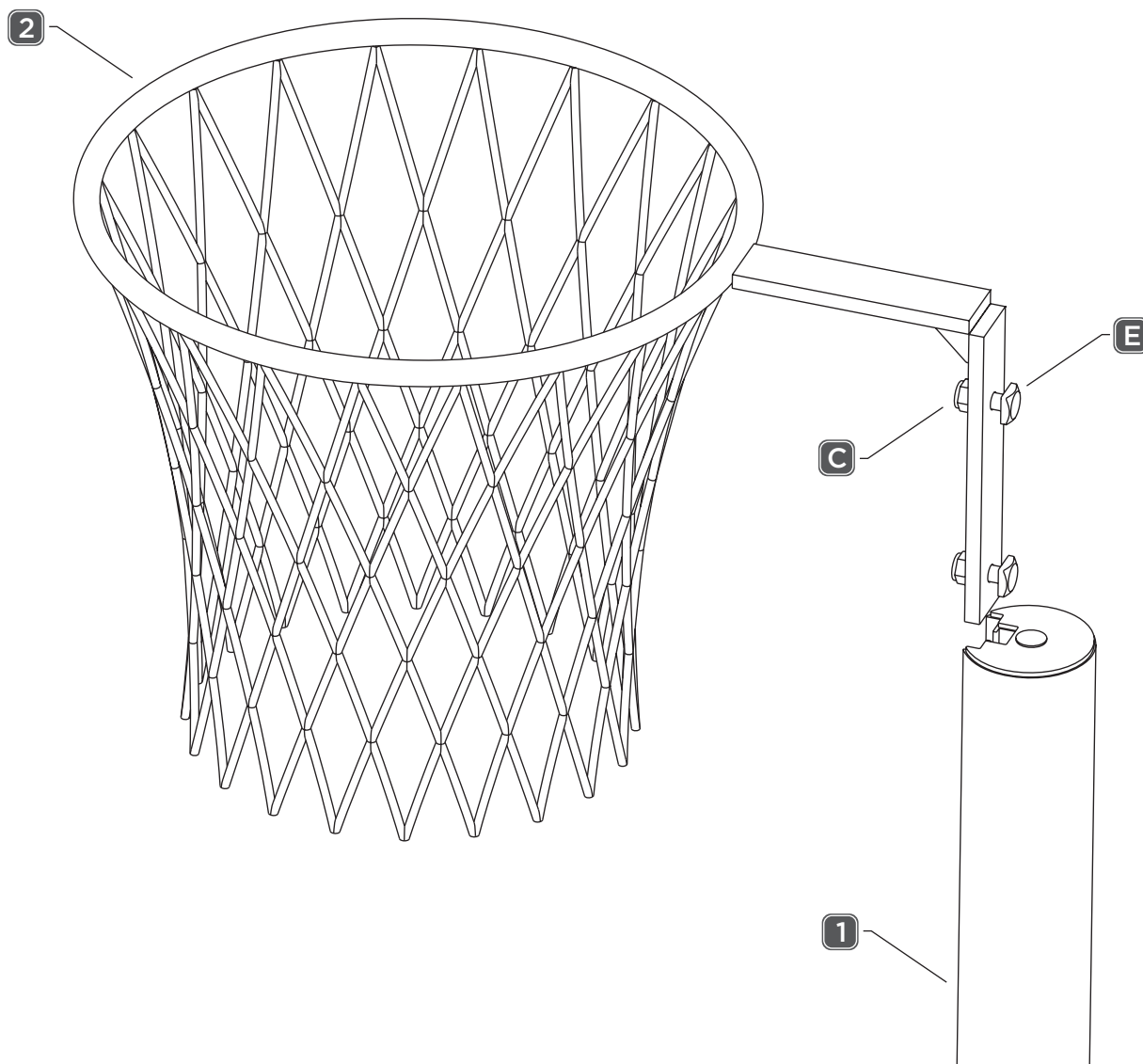


HINT: Each loop should measure ~4in and ~2in to each knot. Keep the straight piece of the Net tie parallel with outer edge of Ring

Assembly Instructions



- 1 Slide the Ring Assembly **2** into the top of the Post **1** until flush and tighten Nyloc Nuts **C**

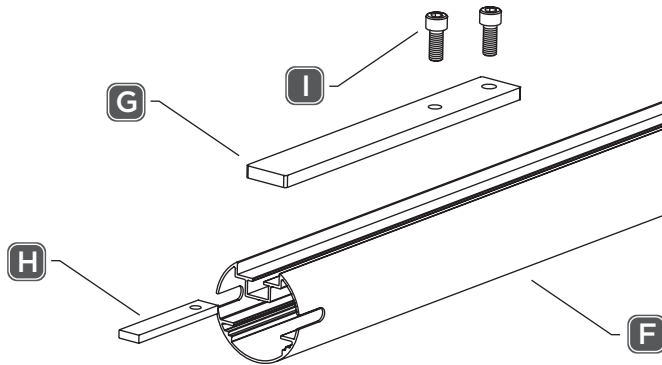


HINT: When flush with top of Post, Ring height will be 3.05m. Loosen Nyloc Nuts to adjust height to 2.44m and 2.75m if required

 **HINT:** Identify all parts and loosen M10x20mm Cap Screws **I**. Do **not** remove the Socket Wedge **G** from the Upright **F**

Posts 1

- F. Upright
- G. Socket Wedge
- H. Back Plate
- I. M10x20mm Cap Screw

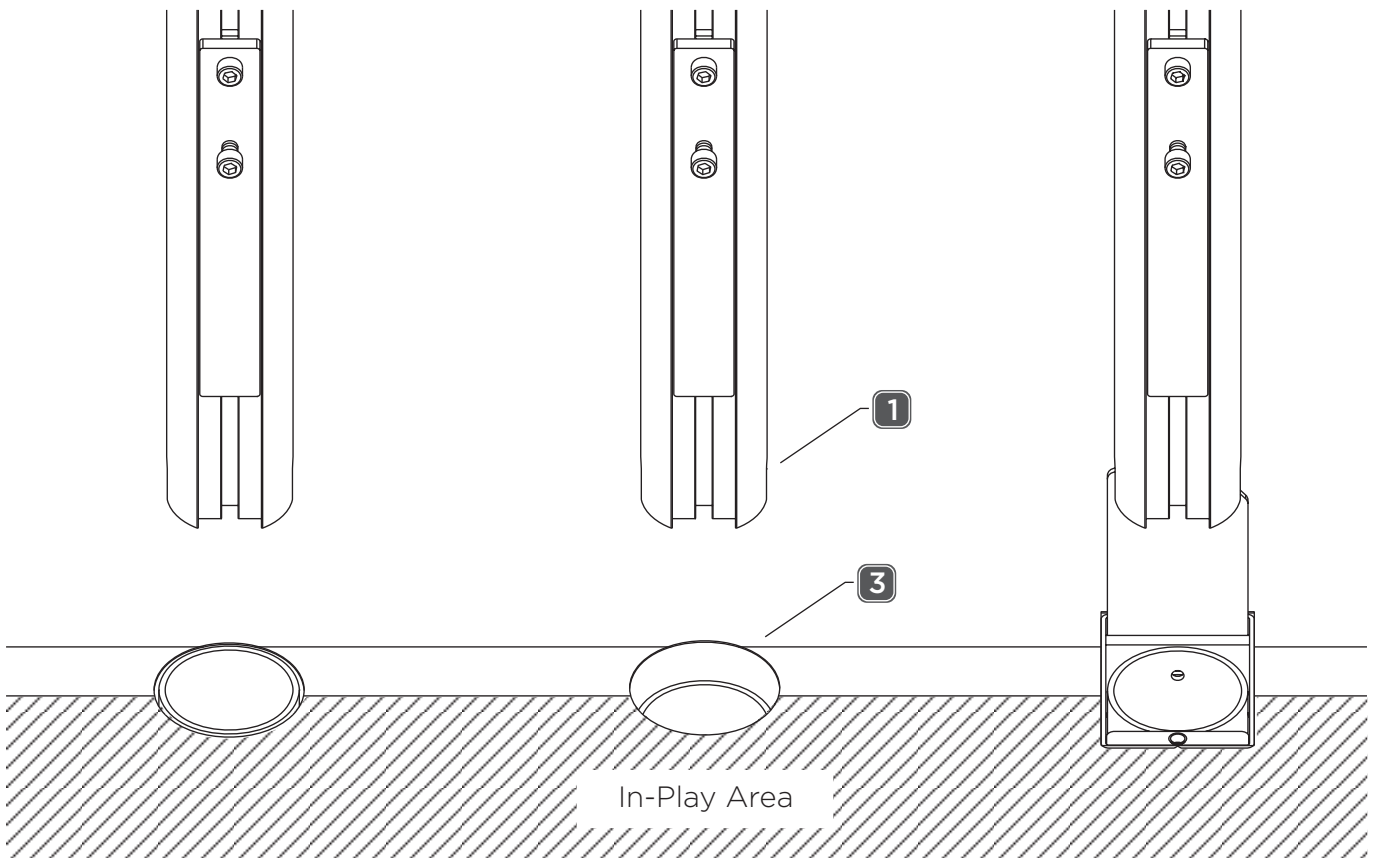


2 Position Posts **1** in their Sockets **3** ensuring the slot in the Post locates on the pin in the Socket

NBL-030
Indoor

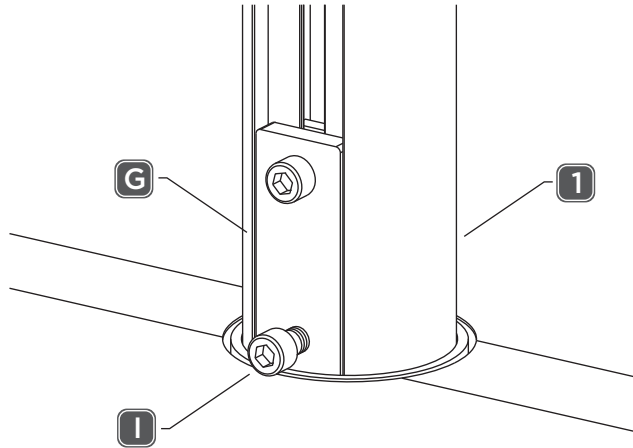
NBL-031
Sprung Floor

NBL-038
Outdoor





3 To tighten Socket Wedge **G**, slide the Wedge so the bottom M10x20mm Cap Screw **I** sits on the ground. Tighten the top M10x20mm Cap Screw to secure in place



HINT: To remove play between Post **1** and Socket **3**, tighten the bottom M10x20mm Cap Screw **I** until secure

WARNING: Always loosen the bottom Cap Screw **I** before raising or lowering the Post **1**

4 When Posts **1** are not in use, remove from Sockets **3** and store. Fit the respective Socket Lid to your Socket, if applicable

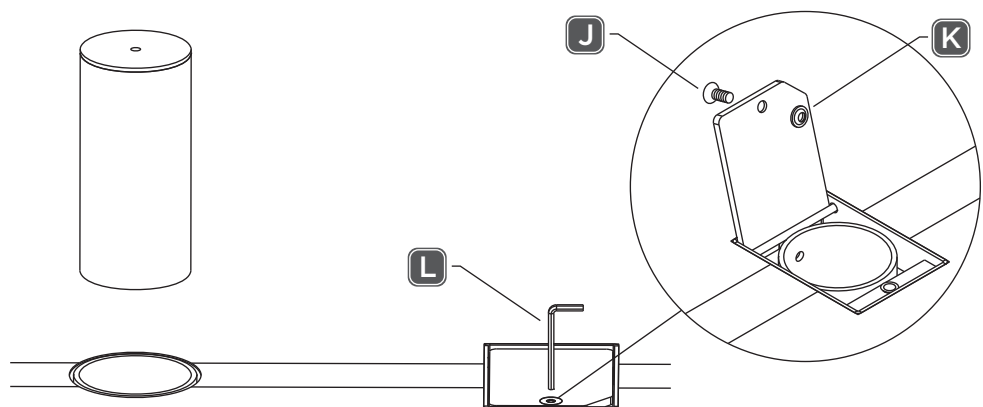
NBL-030
Indoor



NBL-038
Outdoor

Packed with Socket

J K L supplied with Socket



IMPORTANT: A cap and housing should be supplied by the flooring contractor for the Sprung Floor Socket (NBL-031)