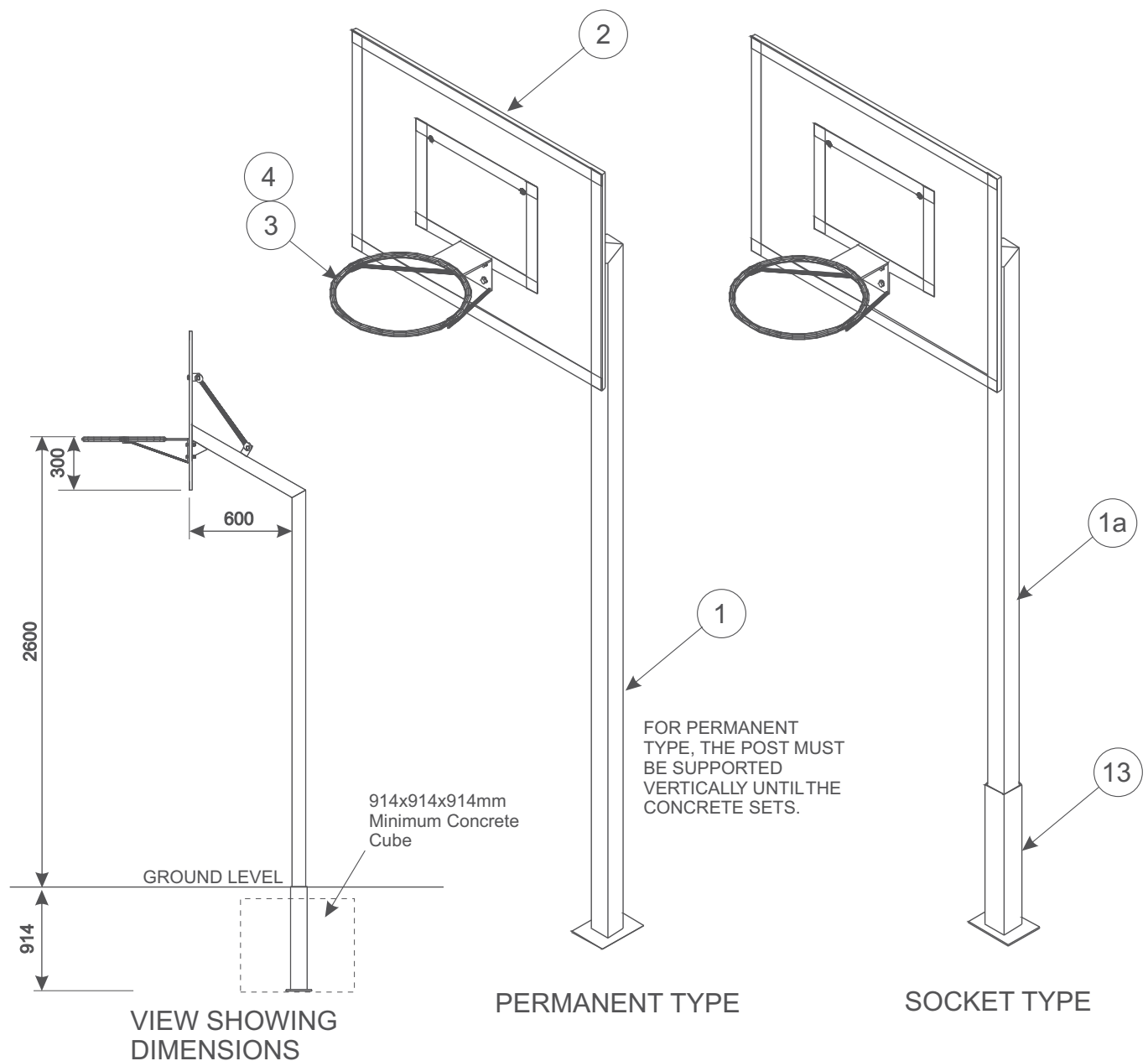


Pack Contents:

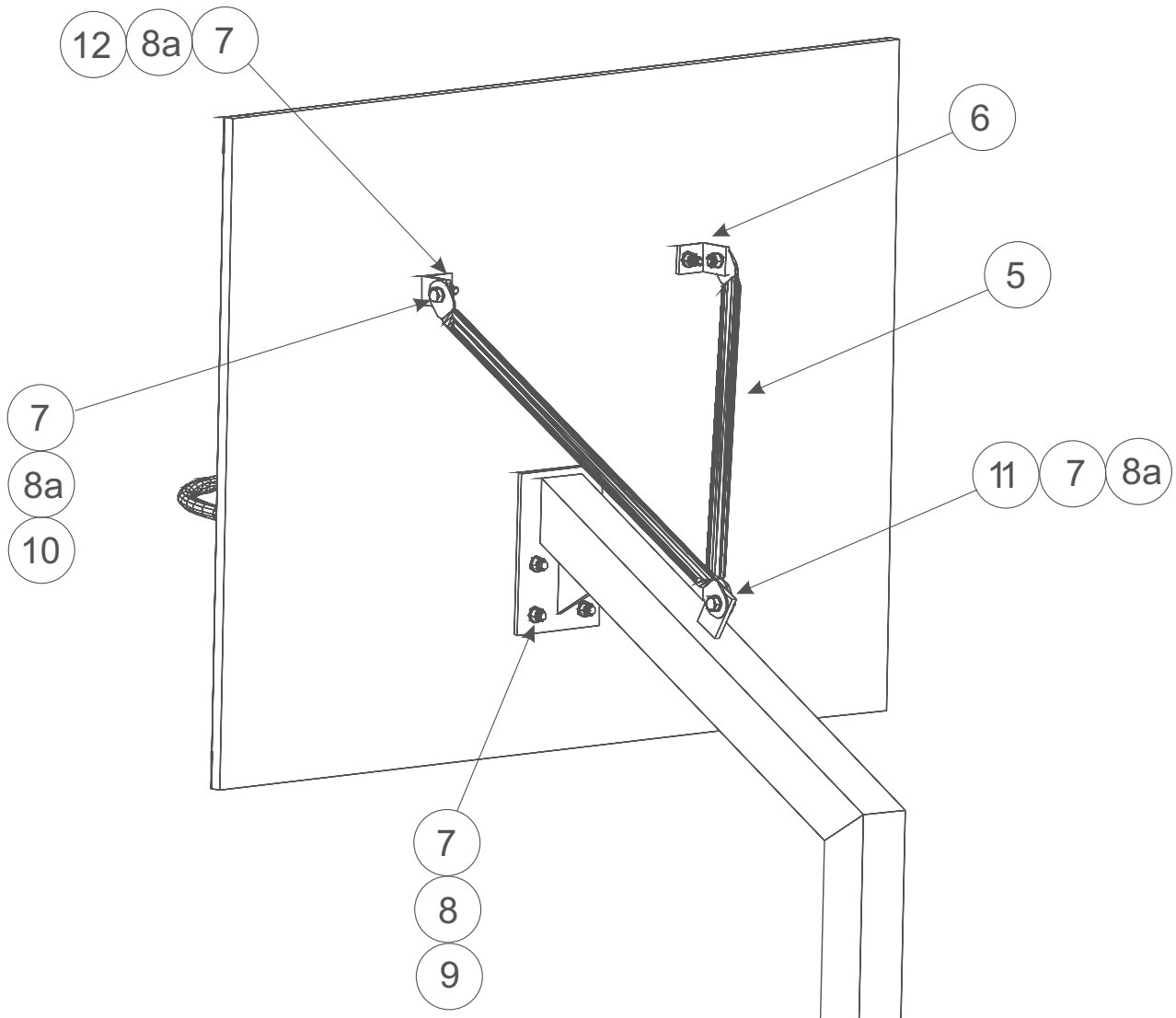
- | | |
|---|--|
| 1. 2 x Upright (permanent type)(PEQ068) | 8a 10 x M10 Nylock Nut (BOL202) |
| 1a.2 x Upright (socketed type) (PEQ069) | 9. 8 x M10x 50 long Bolt (BOL310) |
| 2. 2 x Backboard (WPP211) | 10. 4 x M10 25 long Bolt (BOL337) |
| 3. 2 x Rings (BAS-008) | 11. 2 x M10 30 long Bolt (BOL330) |
| 4. 2 x Net (BAS-001) | 12. 4 x M10 Coach Bolt (BOL311) |
| 5. 4 x Support Brace (PEQ056) | 13. 2 x Socket (BAS-080 Only) (PEQ075) |
| 6. 4 x Angle Bracket (PEQ925) | |
| 7. 32 x M10 Plastic Washer (BOL721) | |
| 8. 8 x M10 Nut (BOL200) | |

View of Product

IMPORTANT PLEASE READ THE ASSEMBLY INSTRUCTIONS CAREFULLY BEFORE STARTING TO ASSEMBLE YOUR GOAL



Assembly Instructions



1 For socket type goals, firstly dig out a square hole in the ground and concrete the socket in so that the top of the socket is at ground level. Use a spirit level to ensure the socket is vertical.

2 For permanent type goals, the post can be concreted into the ground either before or after the board is fitted. To concrete into the ground it is advisable to measure 914mm up the post from the bottom and mark a line around the post to give you a ground level line. Concrete the post as described in step 1. Support must be given to the post while the concrete sets.

3 Loosely fit the ring and board to the post using the fasteners shown. Fit a washer to both nut and bolt and only hand tighten.

4 Fit the Angle brackets to the backboard using coach bolts and again only hand tighten.

5 Fit the support braces to the angles and plate on the back of the upright.

6 Tighten all fasteners with suitable spanners and fit net.

7 Repeat for the other Goal.