

Code: HUR-007, HUR-008

Product: H7 Training Hurdle, H8 Junior Training Hurdle

INS026

Revision 0

07/08/2013

© Harrod UK Limited

## Pack Contents:

### **HUR-007: H7 Training Hurdle**

- |   |          |
|---|----------|
| 1. 1 x H8 Hurdle Lathe Taped                  | (PLP994) |
| 2. 2 x Top Upright H6 Hurdle 550mm            | (APP132) |
| 3. 1 x Base 'U' Section H7 Hurdle             | (SPE563) |
| 4. 1 x L/H Upright Section H7 Training Hurdle | (SPE566) |
| 5. 1 x R/H Upright Section H7 Training Hurdle | (SPE568) |
| 6. 4 x M8 Nylock BZP                          | (BOL402) |
| 7. 4 x M8x50 Hex Bolt Stainless Steel         | (BOL503) |

### **HUR-008: H8 Junior Training Hurdle**

- |   |          |
|---|----------|
| 1. 1 x H8 Hurdle Lathe Taped            | (PLP994) |
| 2. 2 x H8 Hurdle Top 357mm              | (APP126) |
| 3. 1 x Base 'U' Section Training Hurdle | (SPE564) |
| 4. 1 x L/H Upright Section H8 Junior    | (SPE569) |
| 5. 1 x R/H Upright Section H8 Junior    | (SPE570) |
| 6. 4 x M8 Nylock BZP                    | (BOL402) |
| 7. 4 x M8x50 Hex Bolt Stainless Steel   | (BOL503) |

**Note:** Items 1 & 2 supplied assembled

## View of Product

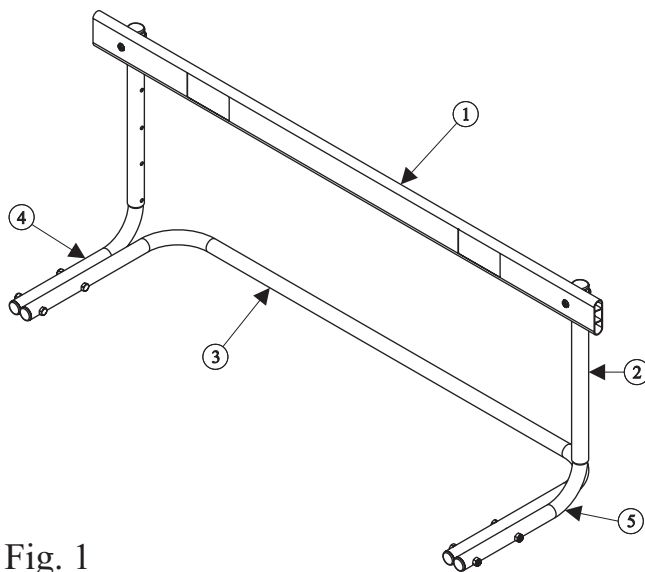
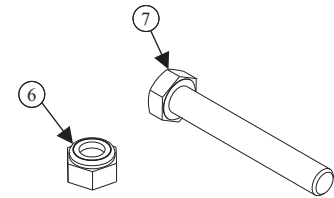


Fig. 1

### **Tools Required**

2 x 13mm Spanners



## Assembly Instructions

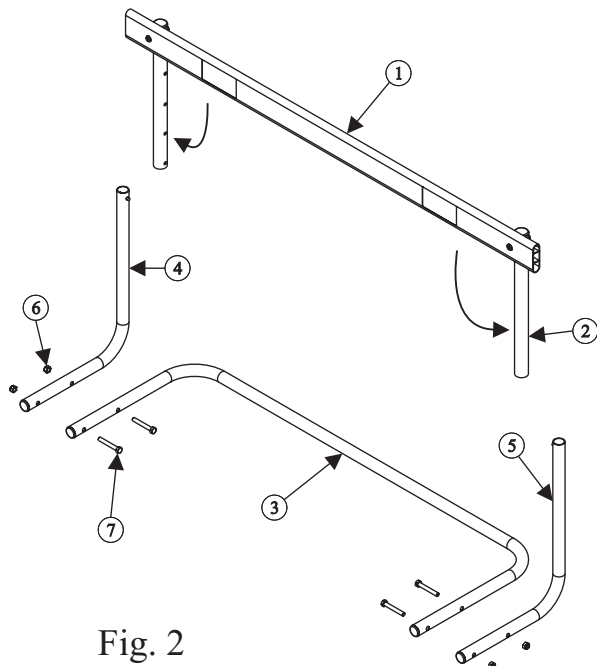


Fig. 2

**1** Using scissors (Do not use a knife), remove all the packaging and identify the parts using the pack contents and Fig 1 above.

**2** Attach the L/H and R/H Upright Sections, (4) and (5) respectively, to the Base 'U' Section (3) using 4 M8 x 50 Hex Bolts (7) and M8 Nylock Nuts (8). Ensure the Hex Bolt is inserted from the inside of the frame, as shown in Fig 2.

**3** Spin the Top Uprights (2) so they are perpendicular to the H8 Hurdle Lathe (1). Depress the button clips in the upright, then slide the Top Uprights over the upright sections. Secure the Lathe in the required position. Ensure the button clip is deployed correctly and Lathe secure before use.