

Code: FBL-606, FBL-607, FBL-608
Product: 80mm Aluminium Training Portagoal

INS583
 Revision 3 - 17/10/18
 © Harrod UK Limited

Pack Contents:

- | | | | | |
|----|-------------------------------|-------------------------|-------------------------|------------------------|
| 1. | 2 x Crossbar/Upright Assembly | (PEP349) with FBL-606, | (PEP350) with FBL-607, | (PEP351) with FBL-608 |
| 2. | 1 x Net Hook Pack (42) | (FPK368) | | |
| 3. | 1 x Net. | (FBL-626) with FBL-606, | (FBL-627) with FBL-607, | (FBL-628) with FBL-608 |
- FEP348 Training Goal Supports & Fittings*
- | | | |
|----|-----------------------|----------|
| 4. | 2 x Net Support Tube. | (PEP438) |
|----|-----------------------|----------|
- Fittings packed in FPK312*
- | | | |
|-----|------------------------------|----------|
| 5. | 4 x Spacer Block. | (PEQ109) |
| 6. | 2 x Internal Corner Angle. | (PLT086) |
| 7. | 2 x External Corner Bracket. | (PLT085) |
| 8. | 10 x M10 BZP Nyloc Nut. | (BOL202) |
| 9. | 2 x 10mm Washer. | (BOL712) |
| 10. | 10 x M10 Square Headed Bolt. | (BOL336) |
| 11. | 2 x Anchor Chain. | (BOL822) |
| 12. | 2 x Carbine Clips. | (HKS007) |
| 13. | 2 x 'U' Pegs. | (PEG021) |

Assembly Time

This goal should take 2 People around 10 minutes to assemble.

Tools Required

1 x 17mm Spanner

View of Product

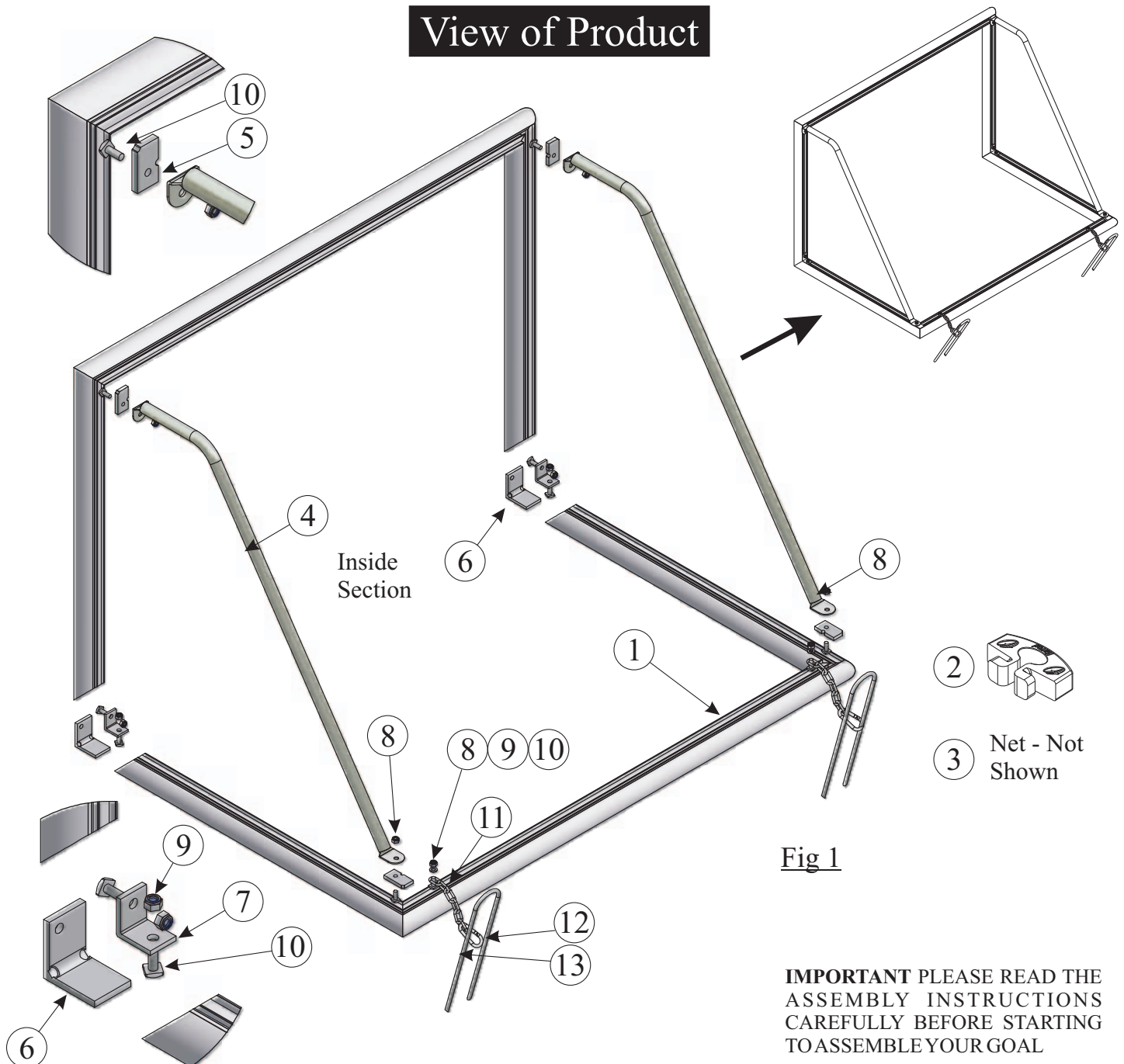


Fig 1

IMPORTANT PLEASE READ THE ASSEMBLY INSTRUCTIONS CAREFULLY BEFORE STARTING TO ASSEMBLE YOUR GOAL

Code: FBL-606, FBL-607, FBL-608

This product is protected by © Copyright and Design Right Harrod UK Ltd 2003.

Product: 80mm Aluminium Training Portagoal

Assembly Instructions

Please Note: For safety reasons, It is recommended that two people assemble this goal.

1 Identify the parts using the Pack Contents and Fig 1 overleaf.

2 Insert 6 Square Headed Bolts (10) in the channel of the base Crossbar/Upright Assembly as shown in Fig 2, and fit 4 Square Headed Bolts in the other Crossbar/Upright Assembly

3 Fit the Internal Angle Brackets (6) into the ends of the Base Crossbar/Upright Assembly and slide the other Crossbar/Upright Assembly over the Internal Angle Bracket. Bolt in place using the External Angle Bracket (7) and the M10 Nyloc Nuts (8), as shown in Fig 3.

4 Fit the Net Support Tubes (4) using the Spacer Plates (5), Nyloc Nuts (8) and fix onto the Square Headed Bolts previously inserted into the goal frame.

5 Fit the Anchor as shown in Fig 4, angle the anchor at approx 45° and use a hammer to knock it into the ground.

Fitting The Net.

1 Attach the hooks to the net approx 250mm apart. Identify the Crossbar edge of the Net (labelled), offer up to the goal and fix by inserting the hook into the slot on the goal section and twist to lock.

2 Included with the Net will be a piece of Rope for tying at the bend in the Net Support to hold the net in shape. This may not be needed on very small goals.

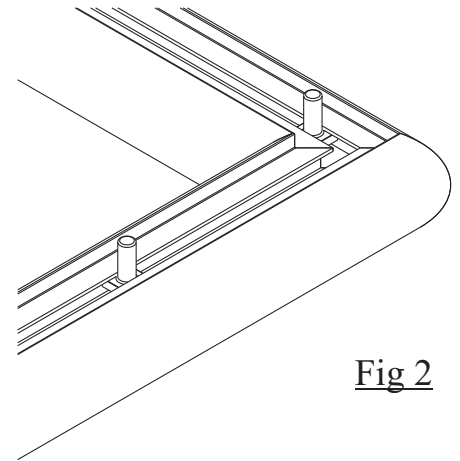


Fig 2

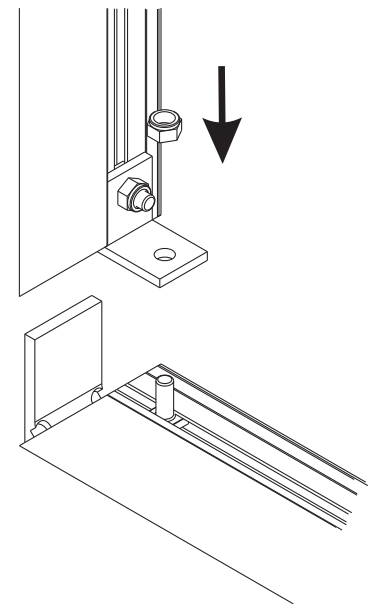


Fig 3

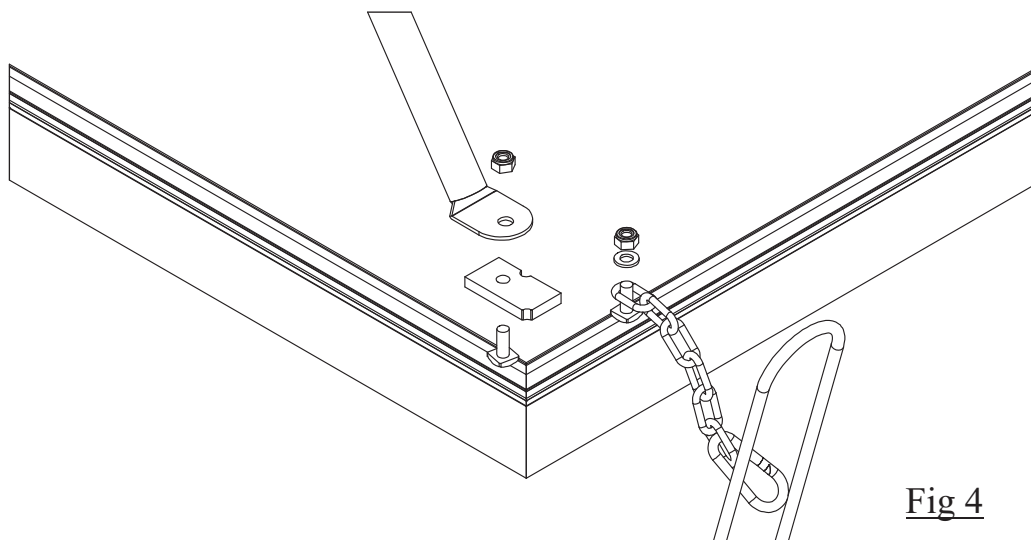


Fig 4

Request INS535 from your supplier for other anchoring options