

Code: HOC-055

INS055

Revision 0

07/12/2012

© Harrod UK Limited

Product: 2.44x0.61m Mini Hockey Goal & Net

Pack Contents:

- | | | | |
|---|-----------|------------------------------------|----------|
| 1. 1 x Mini Hockey Frame | (FEP129) | 1x FPK055 Contains; | |
| 2. 1 x Mini Hockey Net Support & Fpack
(Contains FPK055) | (FEP130) | 4. 2 x 100x10mm Carbine Clip | (HKS007) |
| 3. 1 x Mini Hockey Net | (HOC-059) | 5. 2 x Internal 'L' Bracket | (PLT126) |
| | | 6. 2 x Ali Support Angle Bracket | (PEQ925) |
| | | 7. 10 x M10 x 25 Square Screw 19mm | (BOL336) |
| | | 8. 10 x M10 Nylock Nut | (BOL202) |
| | | 9. 8 x Flat Washer Form B ST/ST | (BOL711) |
| | | 10. 1 x EURO Net Hooks 80 Pack | (FPK371) |
| | | 11. 2 x Six Links Welded Chain | (BOL827) |
| | | 12. 2 x 10x450mm U-Peg | (PEQ021) |

View of Product

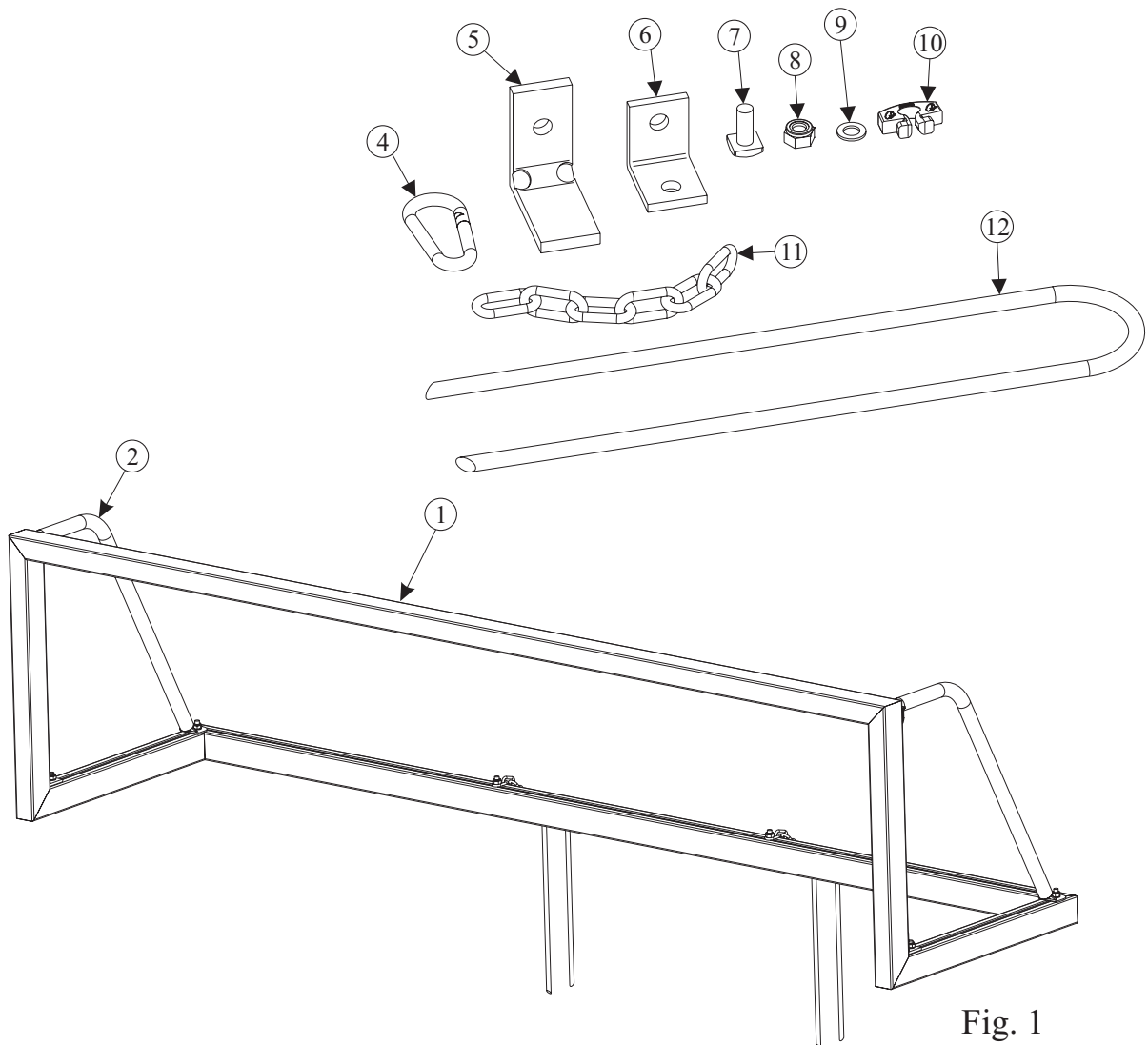


Fig. 1

**IMPORTANT PLEASE READ THE
ASSEMBLY INSTRUCTIONS
CAREFULLY BEFORE STARTING
TO ASSEMBLE YOUR GOAL**

Assembly Instructions

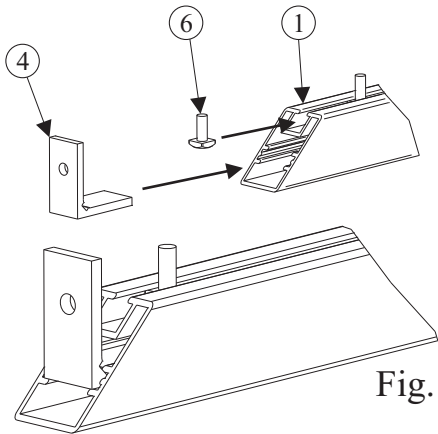


Fig. 2

1 Using scissors (Do not use a knife), remove all the packaging and Identify the parts using the Pack Contents and Fig 1 overleaf.

2 Take 6 of BOL336 (6), slide 2 into the channel of one of the frames (1), sliding them both into the longer section, which will form the backbar. Slide another 2 of the bolts into smaller section, as shown in Fig. 2, and repeat for the other side. These bolts will be used to affix the two frames and the net supports.

3 Slide the inner 'L' bracket into the frame channel as shown in Fig. 2. Ensure the bracket sits all the way into the frame, as shown in Fig.3. This will form the back of the frame.

4 Repeat step 2 with the other frame, slide the bolts into the crossbar to ensure they don't fall out of the frame during assembly.

5 With the first part of the frame placed flat on the floor, slide the front part of the frame onto the 'L' brackets so it fits into the channel in the same way as the back of the frame, as shown below in Fig. 3.

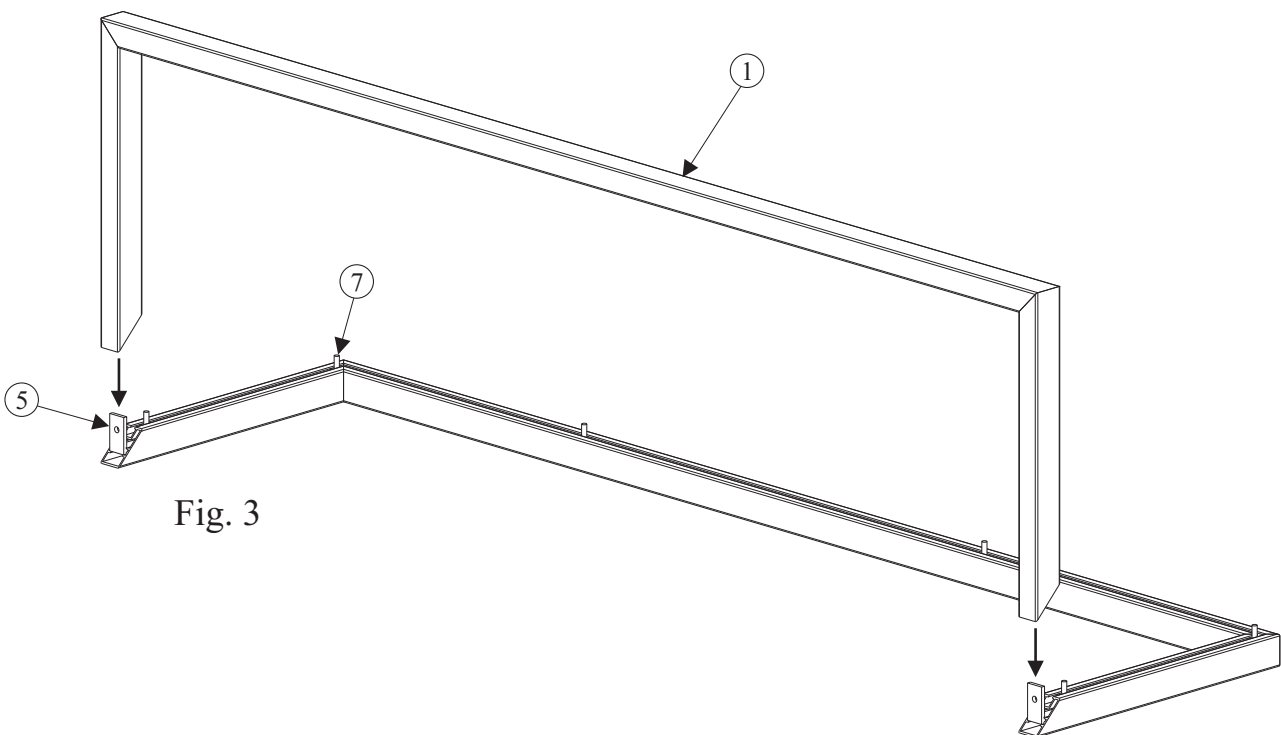
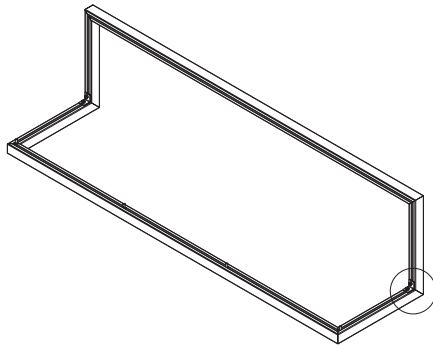
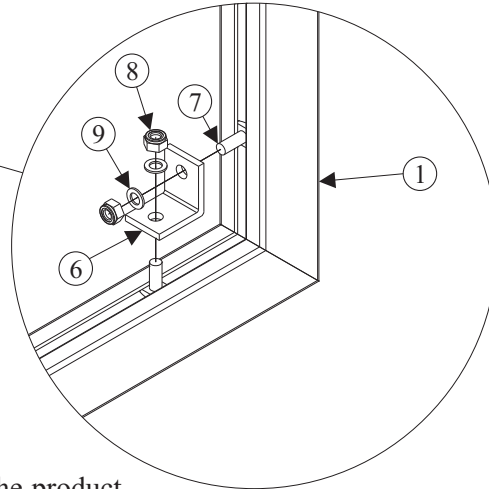


Fig. 3



6 Once the goal is assembled, secure the two frame components with the white aluminium support angle bracket (5), M10 square screw (6), M10 nylock nut (7) and M10 washer (8) as shown in Fig. 4.

Fig. 4



7 Attach the chain, which will be used to anchor the product, using the M10 screws and M10 washers, as shown below in Fig. 5.

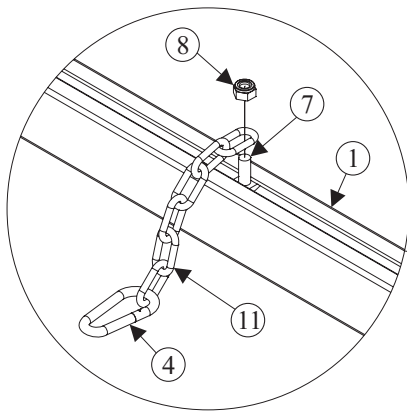
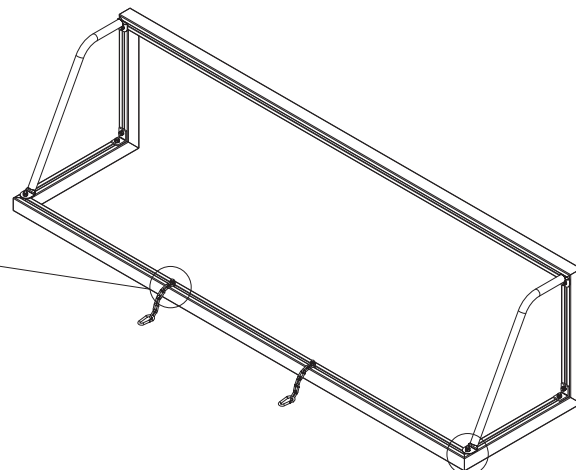


Fig. 5



8 Attach the net supports (2) using the remaining M10 square screws (5), M10 nylock nut (7) and M10 washer (8) as shown in Fig. 5.

