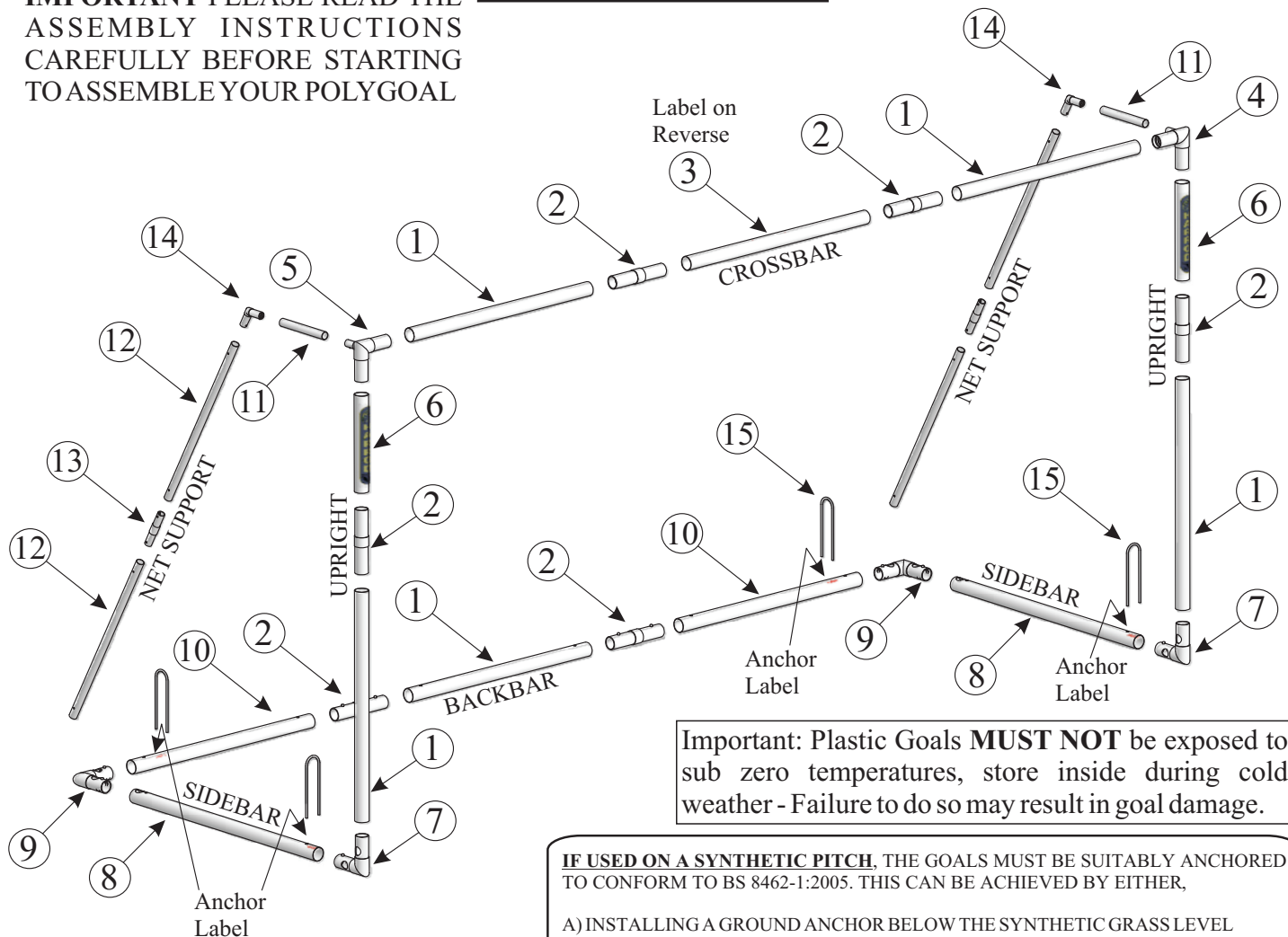


## Pack Contents:

- |                                       |          |   |           |
|---------------------------------------|----------|---|-----------|
| 1. 5 x Plain Crossbar Tube 1172mm     | (PLA117) | 10. 2 x Backbar Tube with Anchor Label              | (PLP109)  |
| 2. 6 x Goal Frame Joint               | (PLP107) | 11. 2 x Top Net Support Tube 300mm                  | (PLA104)  |
| 3. 1 x Crossbar Tube with Label       | (PLP111) | 12. 4 x Net Support Tube 1016mm                     | (PLA103)  |
| 4. 1 x L/H Corner Joint with Spigot   | (PLP115) | 13. 2 x Tube Connector                              | (PLA126)  |
| 5. 1 x R/H Corner Joint with Spigot   | (PLP116) | 14. 2 x 120° Net Support Connector                  | (PLA107)  |
| 6. 2 x Upright Tube with Harrod Label | (PLA119) | 15. 4 x U Peg Ground Anchor                         | (PEG020)  |
| 7. 2 x Upright Corner Joint           | (PLA125) | 16. 1 x Pack of 36 Net Clips                        | (FBL-164) |
| 8. 2 x Sidebar Tube 1336mm with hole  | (PLA123) | 17. 1 x PolyGoal Bag ( <i>not shown</i> )           | (FBL-161) |
| 9. 2 x Backbar Corner Joint           | (PLA110) | 18. 1 x 2.5mm Polyethylene Net ( <i>not shown</i> ) | (FBL-163) |

## View of Product

**IMPORTANT PLEASE READ THE ASSEMBLY INSTRUCTIONS CAREFULLY BEFORE STARTING TO ASSEMBLE YOUR POLYGOAL**

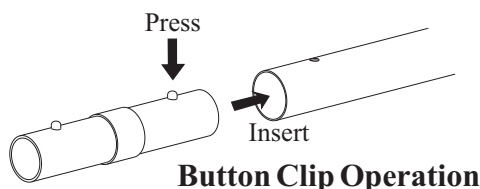


**Important: Plastic Goals **MUST NOT** be exposed to sub zero temperatures, store inside during cold weather - Failure to do so may result in goal damage.**

**IF USED ON A SYNTHETIC PITCH**, THE GOALS MUST BE SUITABLY ANCHORED TO CONFORM TO BS 8462-1:2005. THIS CAN BE ACHIEVED BY EITHER,

- A) INSTALLING A GROUND ANCHOR BELOW THE SYNTHETIC GRASS LEVEL
- B) BY ATTACHING THE GOAL TO THE NEAREST PERIMETER FIXING POINT, A CHAIN OR FLAT BAR CAN BE USED TO ACHIEVE THIS, BUT CARE SHOULD BE TAKEN SO AS TO NOT CREATE ANOTHER POTENTIAL HAZARD WHEN INSTALLING THIS OPTION.
- C) ATTACHING COUNTERBALANCE WEIGHTS (35kg IN TOTAL OR 2 X ANC-005 ANCHORS) TO THE BACK OF EACH GOAL.

PLEASE CONTACT YOUR DISTRIBUTOR FOR ADVICE ON ATTACHMENT OPTIONS.



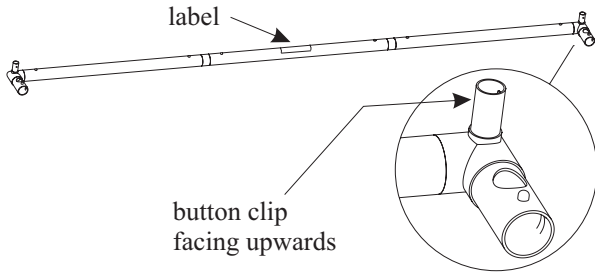
**Button Clips:** All connector parts have button clips already inserted into them. When assembling the goal, gently squeeze the button clips down low enough to slide the tubes over them. Then make sure that the button clips are inserted into the holes provided on the tubes. This will make sure that the tubes are fastened together correctly.

Code: FBL-160/OLS-040

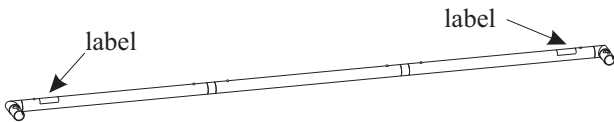
Product: 3.66x1.83m Plastic Mini-soccer Goal (Polygoal)

## Assembly Instructions

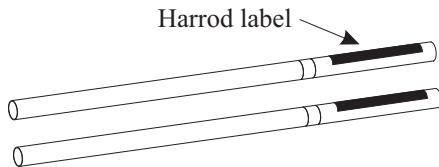
**1 ASSEMBLE THE CROSSBAR** - ensure that the button clips in the corner joint spigot face up.



**2 ASSEMBLE THE BACKBAR** - ensure that the anchor labels close to the ends of the backbar.



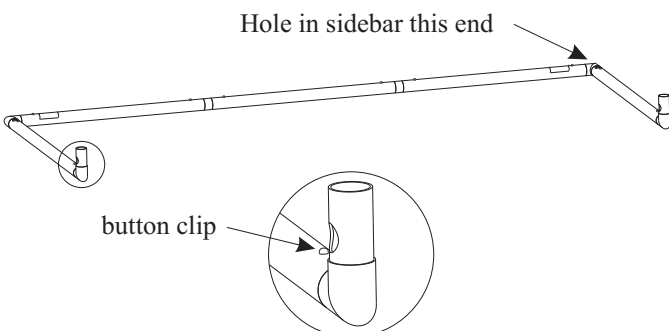
**3 ASSEMBLE THE UPRIGHTS.**



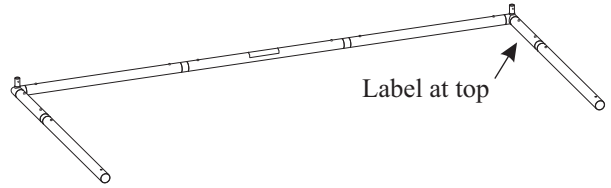
**4 ASSEMBLE THE NET SUPPORTS.**



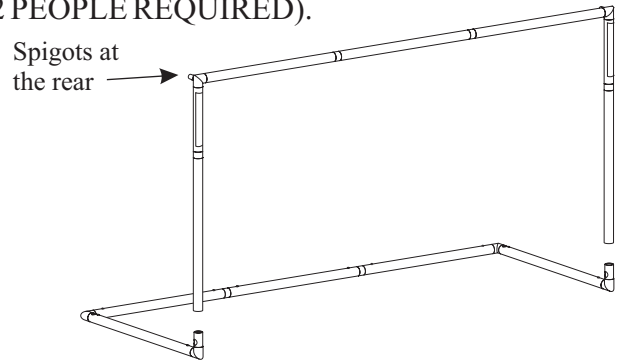
**5 FIT THE SIDEBAR TO THE BACKBAR AND INSERT THE UPRIGHT CORNER JOINT.**



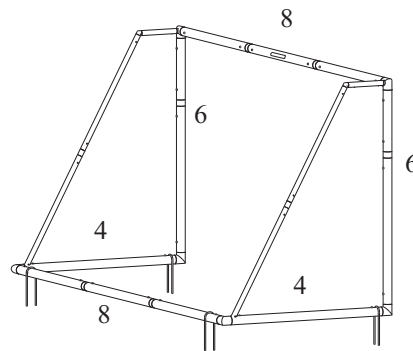
**6 FIT THE UPRIGHTS TO THE CROSSBAR.**



**7 LIFT THE UPRIGHT & CROSSBAR ASSEMBLY ONTO THE SIDEBARS, (2 PEOPLE REQUIRED).**

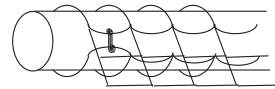


**8 ATTACH THE NET SUPPORTS** - Fit to the spigot on the crossbar corner joint first and then push the other end into the hole in the sidebar.



Also showing number of net hooks.

**FITTING THE NET** - Lay the net on the ground. Identify a straight edge with a label/tape signifying the Crossbar, now locate the two sides of the net and in particular the corner. Place the corner of the net over the top corner of the goal, use a net hook on each side of the corner to secure. Repeat this with all corners and finally evenly space net hooks around the goal.



**PEGGING DOWN** - Position the goal where it is to be used and drive the U Peg Anchors into the ground over the anchor point labels.