

## Pack Contents:

**1 x FEQ860 SIDE FRAME PACK**

1. 1 x L/H Sideframe (PEP860)
2. 1 x R/H Sideframe (PEP861)

**1 x FEQ755 BOTTOM & BACK SUPPORTS**

3. 1 x Bottom Back Support (PEQ755)
4. 2 x Centre/Top Back Support (PEQ756)
5. 1 x Top Front Support (PEQ758)
6. 1 x 2.5m Front Flash Angle (PEP538)

**1 x FEQ792 SEAT SUPPORT FRAME (pair)**

7. 2 x Seat Supports (PEQ792)

**1 x FEQ756 SEAT SLATS**

8. 2 x Plastic Seat Slats (PLP625)

**1 x FEQ761 SIDEFRAPE PLASTIC**

9. 2 x Clear Polycarbonate Side Sheet (PLP200)

**1 x FEQ759 ROOF SHEET PLASTIC**

10. 1 x Polycarbonate Roof Sheet (PLA755)

**1 x FEQ763 BACK SHEET PLASTIC**

11. 1 x Polycarbonate Back Sheet (PLP202)

**1 x FEQ723 FLASHING (including Fittings Pack)**

12. 1 x Back Trim Angle (APP723)
13. 1 x L/H Back Vertical Angle (APP724)
14. 1 x R/H Back Vertical Angle (APP726)
15. 2 x Roof End Angle (APP725)

**1 x FPK630 FITTINGS PACK (Packed in FEQ723)**

16. 8 x M8 Nyloc Nut BZP (BOL402)
17. 4 x M8 x 100 Button Head (BOL445)
18. 4 x M8 x 70 Button Head (BOL488)
19. 4 x M8 x 40 Hex Head Bolt STST (BOL520)
20. 14 x M8 x 25 Set Screw STST (BOL540)
21. 34 x M8 x 20 Set Screw STST (BOL546)
22. 64 x M8 Washer STST (BOL715)
23. 2 x 50 Plastic Square End Cap (CAP108)

## View of Shelter

**IMPORTANT NOTES**

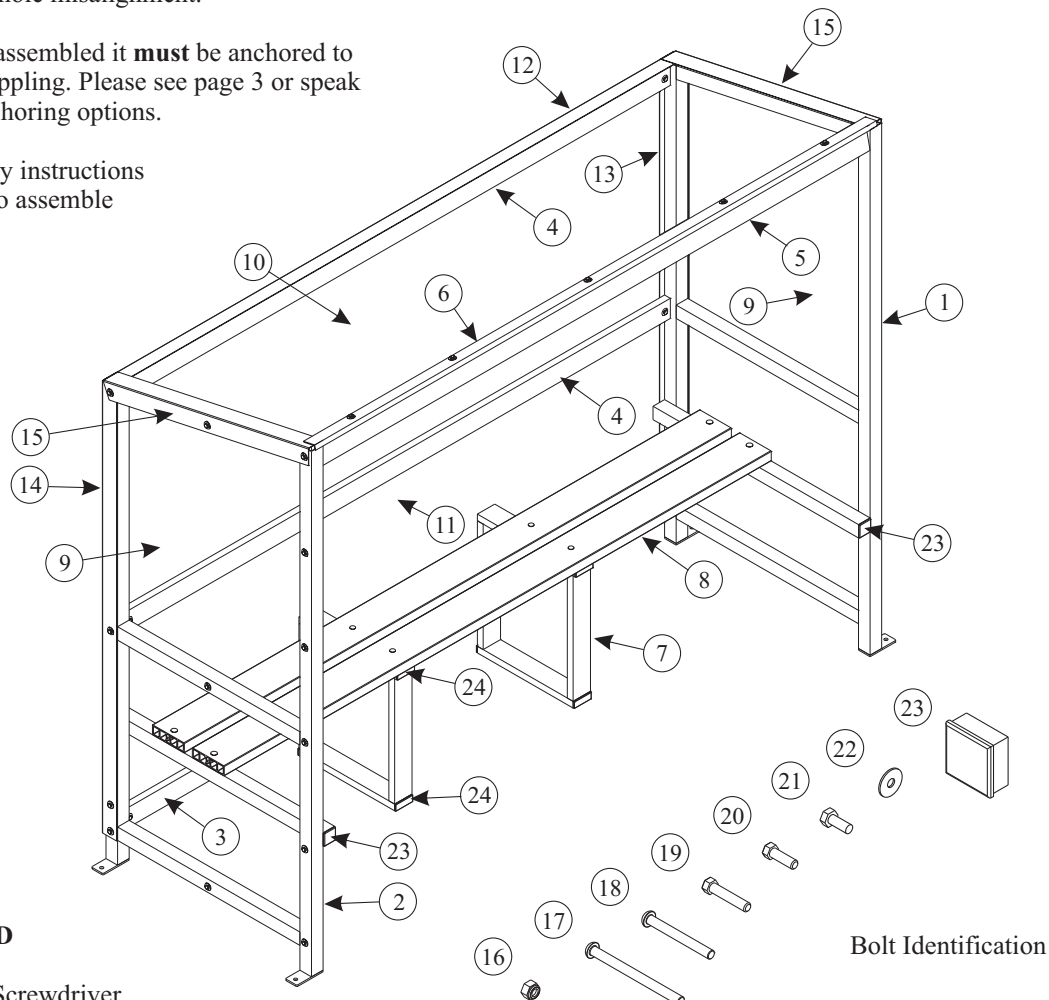
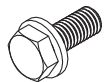
Three people are required to safely assemble this shelter.

This shelter must be assembled on a flat surface. Failure to do this may result in bolt hole misalignment.

When the shelter is fully assembled it **must** be anchored to prevent movement and toppling. Please see page 3 or speak to your distributor for anchoring options.

Please read these assembly instructions carefully before starting to assemble your shelter.

When fixing frame together, please use a stainless steel washer on each bolt.

**TOOLS REQUIRED**

- 1 x 13mm Spanner
- 1 x Large Flat Head Screwdriver

Code: SHE-002

Product: 2.5m Aluminium Team Shelter

## Assembly Instructions

### IMPORTANT

All Bolts should be hand tightened only, until the whole shelter has been assembled.

**1** Using a mallet fit the 50.8mm Square End Caps (23) into the Sideframe (1&2) (see View of Shelter for positions).

**2** With the Sideframes (1&2) held in a vertical position insert the Bottom Back Support (3) and insert 2 of the M8x20mm Hex Bolts (see note below for support orientation). Slightly open the tops of the Sideframes to insert the Centre Back Support (4) in place and insert the 2 Bolts. Repeat this method for the Top Back (4), and Top Front (5) Supports (Hand tighten the bolts at this stage).

**NOTE:** The 4 horizontal supports are positioned with the holes in the following locations:  
Bottom Back Support (3): Slots facing into Shelter along with 2 pairs of Seat Support holes, 3 holes at back of Shelter - 25mm from bottom edge.  
Centre Back Support & Top Back Support (4): Slots facing into Shelter, 3 holes at back of Shelter, 25mm from top edge.  
Top Front Support (5): Slots facing into Shelter, 5 holes facing upwards.

**3** Remove all the protective packaging from the Polycarbonate Sheets. Tip the Shelter over onto its front to allow easier fitting of Back and Roof Sheets.

Fit the Back Sheet (11) and Roof Sheet (10) to the frame with M8x25mm Hex Bolts. At this stage only fit the sheets through the central and bottom holes, leaving holes free that will be covered by the flashing strips.

Now return the Shelter to an upright position and fit the Clear Side Sheets (9) using M8x20mm Hex Bolts and again leave the outer (flashing) holes clear.

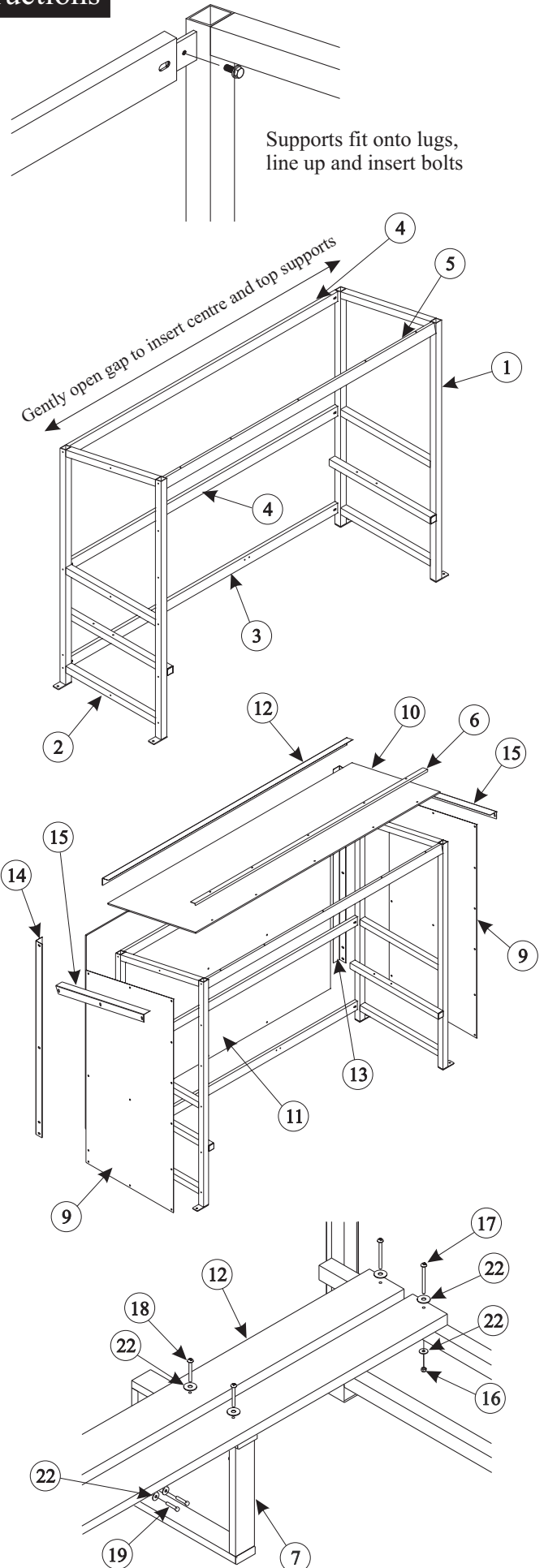
**4** Fit the L/H & R/H Back Vertical Angles (13&14), the Back Trim Angle (12) and the 2 Roof End Angles (15) using M8x25mm Bolts in the Roof and Back Sheets and M8x20mm Bolts through the Side Sheets (please ensure the Roof End Angles are placed over the Back Trim and Back Vertical Angles).

Fit the Front Flash Angle (6) also using M8x25mm Hex Bolts, ensuring it sits on top of the Roof end Angles.

**5** Position the holes in the Seat Supports (7) in line with the drilled holes in the Bottom Back Support (3). To secure the Seat Supports to the frame use the M8x40mm Hex Bolts and Washers.

Place the Seat Slats (8) into position and bolt in place using the 4 M8x100mm Button Head Bolts with the 4 M8 Nyloc Nuts and Washers at each end. Fix the Seat Slats into each of the Seat Supports with 2 M8x70 Button Head Bolts, 2 Washers and Nyloc Nuts.

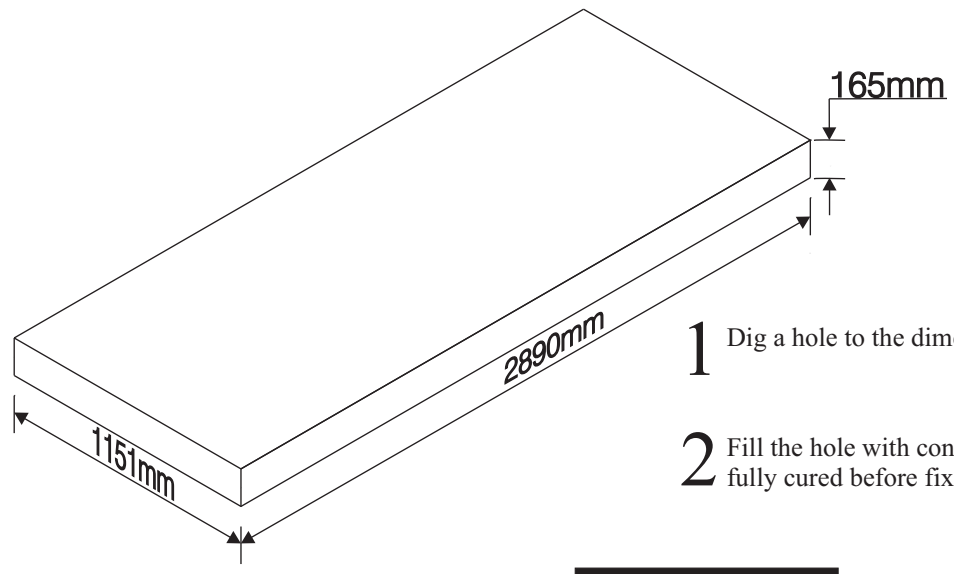
Finally tighten all of the bolts previously left hand tight. Do not over tighten the bolts as this will squash the Polycarbonate Back and Roof Sheets.



Code: SHE-002

Product: 2.5m Aluminium Team Shelter

### Foundation Installation

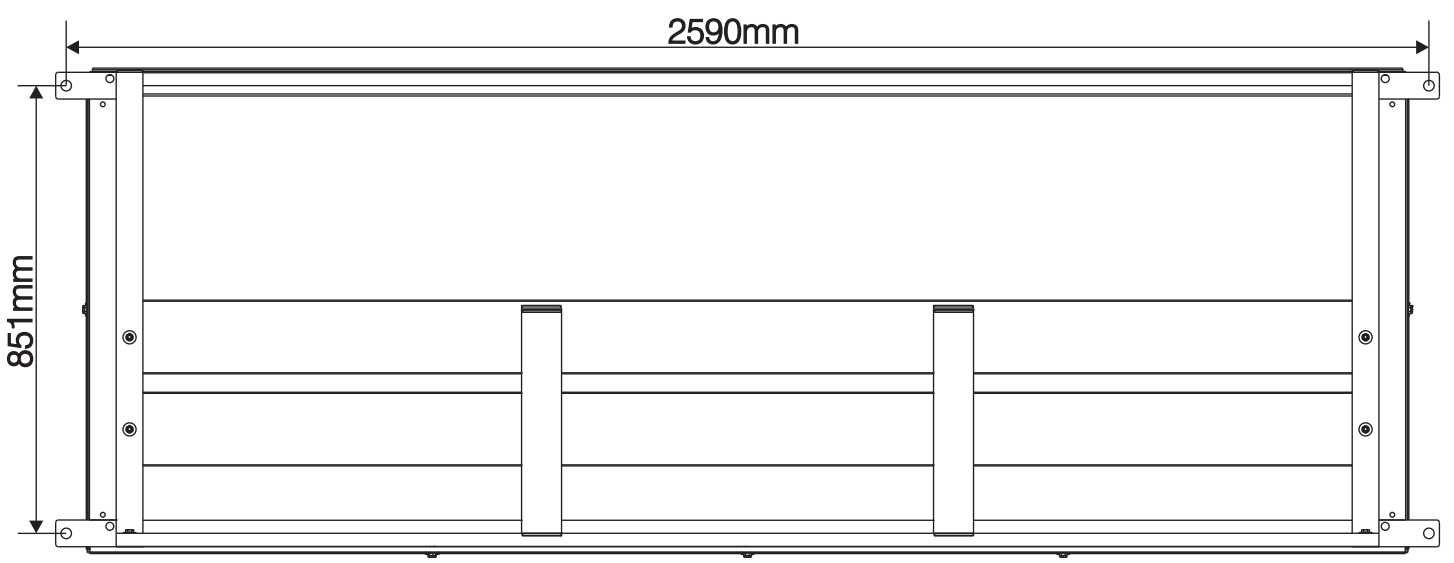


1 Dig a hole to the dimensions shown.

2 Fill the hole with concrete and level. Wait until the concrete is fully cured before fixing down the shelter

### Hole Centres

Underside view



Place the Shelter in position and mark out the hole centres through the fixing lugs in the Sideframes.

**Anchoring options;**

ANC-010: Expanding Anchor Bolt Set Per 7

ANC-025: Chemi-Bolt Set Per 7