

Pack Contents:

1 x FEQ860 SIDE FRAME PACK

1. 1 x L/H Sideframe (PEP860)
2. 1 x R/H Sideframe (PEP861)

1 x FEQ771 BOTTOM & BACK SUPPORTS

3. 1 x Bottom Back Support (PEP862)
4. 1 x Top Back Support (PEQ773)

1 x FEQ772 CENTRE & TOP FRONT SUPPORTS

5. 1 x 4m Front Flash Angle (PEP539)
6. 1 x Centre Back Support (PEQ764)
7. 1 x Top Front Support (PEQ772)

1 x FEQ769 VERTICAL & ROOF SUPPORTS

8. 1 x Roof Support (PEQ769)
9. 1 x Top Vertical Back Support (PEQ776)
10. 1 x Bottom Vertical Back Support (PEQ777)

2 x FEQ792 SEAT SUPPORT FRAME (pair)

11. 4 x Seat Support (PEQ792)

1 x FEQ757 SEAT SLATS

12. 2 x Plastic Seat Slats (PLP640)

1 x FEQ761 SIDEFRAPE PLASTIC

13. 2 x Clear Polycarbonate Side Sheet (PLP200)

1 x FEQ764 ROOF SHEET PLASTIC

14. 2 x Polycarbonate Roof Sheet (PLA762)

1 x FEQ767 BACK SHEET PLASTIC

15. 2 x Polycarbonate Back Sheet (PLP203)

1 x FEQ724 FLASHING (including Fittings Pack)

16. 1 x L/H Back Vertical Angle (APP724)
17. 1 x R/H Back Vertical Angle (APP726)
18. 1 x L/H Back Trim Angle (APP727)
19. 1 x R/H Back Trim Angle (APP728)
20. 2 x Roof End Angle (APP725)
21. 1 x Back Divider (APP729)
22. 1 x Roof Divider (APP730)

1 x FPK631 FITTINGS PACK (Packed in FEQ724)

23. 12 x M8 Nylock Nut BZP (BOL402)
24. 4 x M8 x 100 Button Head Bolt (BOL445)
25. 8 x M8 x 70 Button Head Bolt (BOL488)
26. 8 x M8 x 40 Hex Head Bolt STST (BOL520)
27. 30 x M8 x 25 Set Screw STST (BOL540)
28. 40 x M8 x 20 Set Screw STST (BOL546)
29. 98 x M8 Washer STST (BOL715)
30. 2 x 50 Plastic Square End Cap (CAP108)

View of Shelter

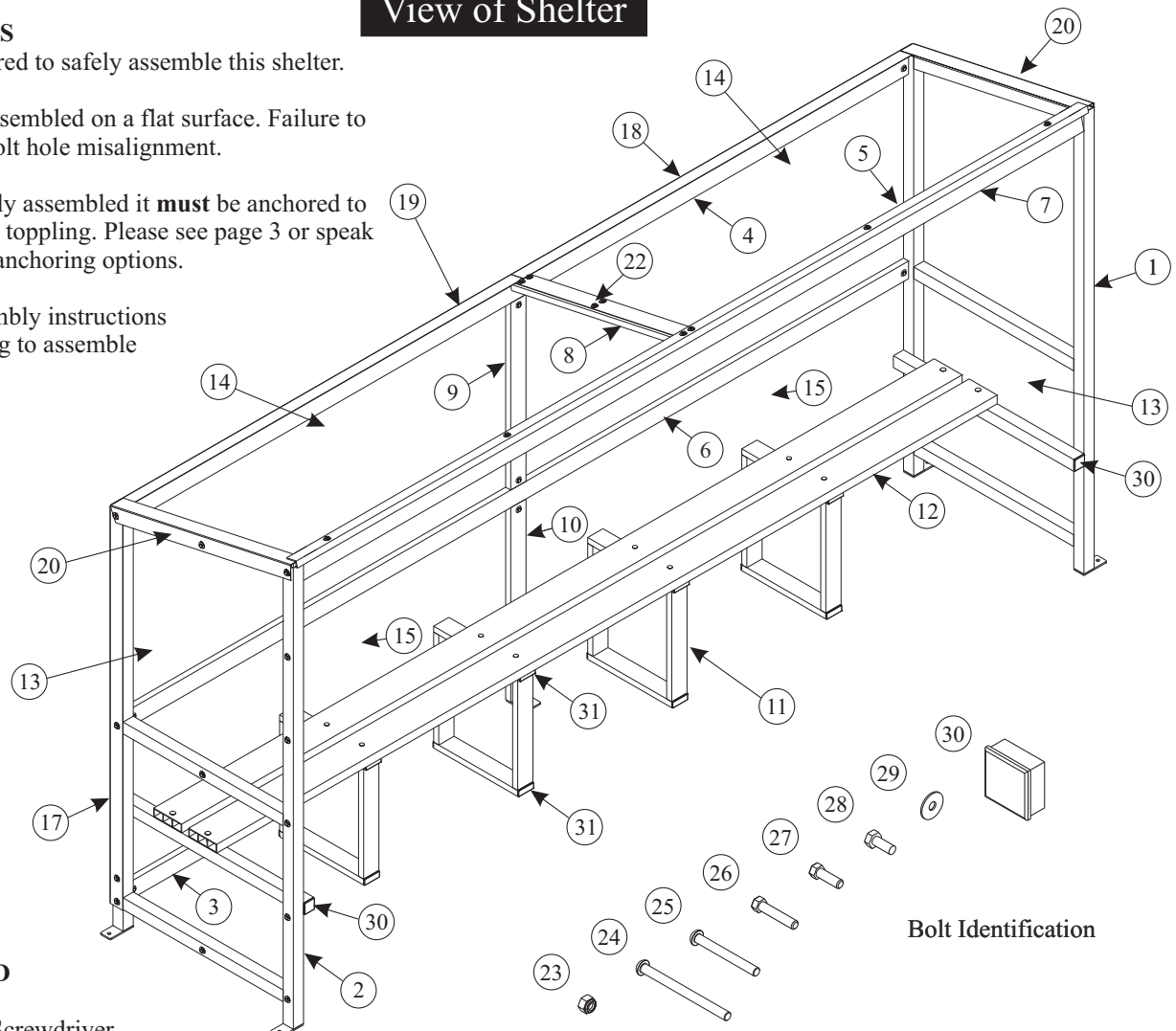
IMPORTANT NOTES

Three people are required to safely assemble this shelter.

This shelter must be assembled on a flat surface. Failure to do this may result in bolt hole misalignment.

When the shelter is fully assembled it **must** be anchored to prevent movement and toppling. Please see page 3 or speak to your distributor for anchoring options.

Please read these assembly instructions carefully before starting to assemble your shelter.



TOOLS REQUIRED

- 1 x 13mm Spanner
- 1 x Large Flat Head Screwdriver

Code: SHE-004

Product: 4m Aluminium Team Shelter

Assembly Instructions

IMPORTANT

All Bolts should be hand tightened only, until the whole shelter has been assembled.

1 Using a mallet fit the 50.8mm Square End Caps (30) into the Sideframe (1&2) (see View of Shelter for positions).

2 With the Sideframes (1&2) held in a vertical position, insert the Bottom Back Support (3) and insert 2 of the M8x20mm Hex Bolts (see note below for support orientation). Then place the Bottom Vertical Back Support (10) over the central lug on the Bottom Back Support (3). Slightly open the tops of the Sideframes to insert the Centre Back Support (6) in place and insert the 2 Bolts. Repeat this method for the Top Vertical (9), Top Back (4), Top Front (7) and Roof (8) Supports. (Hand tighten the bolts at this stage)

NOTE: The 4 horizontal supports are positioned with the holes in the following locations:

Bottom Back Support (3): Slots facing into shelter along with 4 pairs of Seat Support holes, and the 6 holes at back of Shelter - 25mm from bottom edge.

Centre Back Support & Top Back Support (6&4): Slots facing into shelter and the 6 holes at back of Shelter, 25mm from top edge.

Top Front Support (7): Slots facing into Shelter, 6 holes facing upwards.

3 Remove all the protective packaging from the Polycarbonate Sheets. Tip the Shelter over onto its front to allow easier fitting of Back and Roof Sheets.

Fit the Back Sheets (15) and Roof Sheet (14) to the frame with M8x25mm Hex Bolts. At this stage only fit the sheets through the central and bottom holes, leaving holes free that will be covered by the flashing strips.

Now return the Shelter to an upright position and fit the Clear Side Sheets (13) using M8x20mm Hex Bolts and again leave the outer (flashing) holes clear.

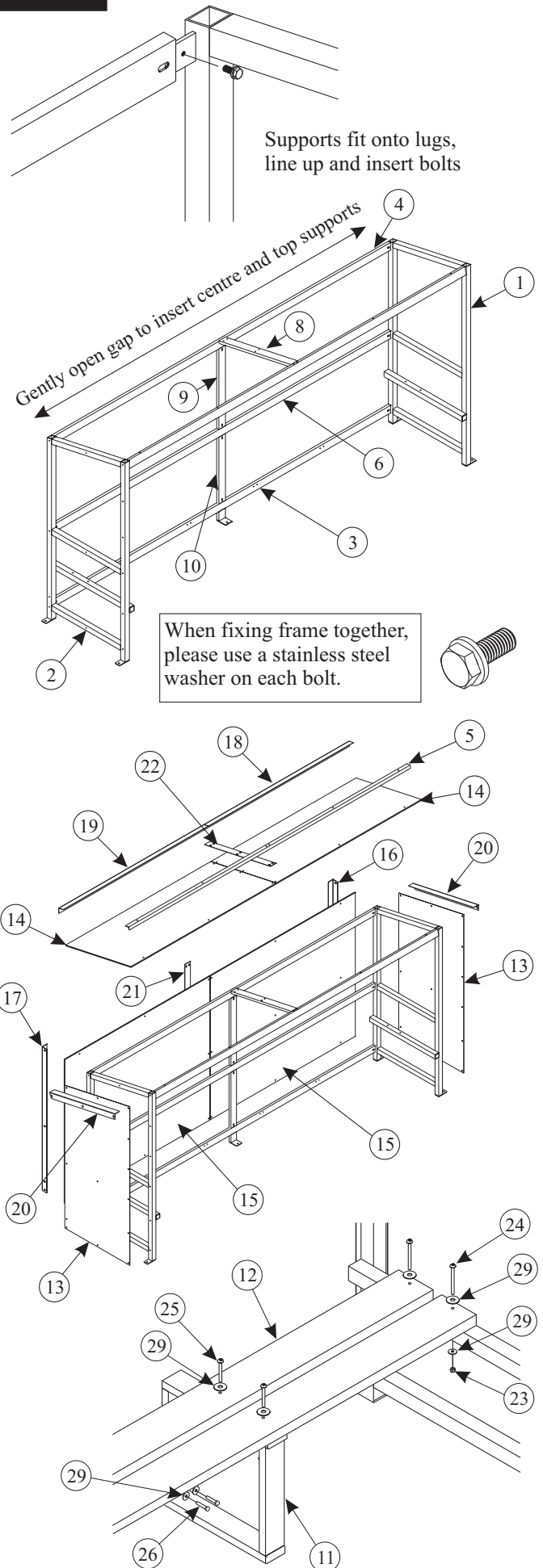
4 Fit the L/H & R/H Back Vertical Angles (16&17), the L/H & R/H Back Trim Angles (18&19) and the 2 Roof End Angles (20) using M8x25mm Bolts in the Roof and Back Sheets and M8x20mm Bolts through the Side Sheets (please ensure the Roof End Angles are placed over the Back Trim and Back Vertical Angles).

Fit the Front Flash Angle (5) also using M8x25mm Hex Bolts, ensuring it sits on top of the roof angles.

5 Position the holes in the Seat Supports (11) in line with the drilled holes in the Bottom Back Support (3). To secure the Seat Supports to the frame use the M8x40mm Hex Bolts and Washers.

Place the Seat Slats (12) in position and bolt in place using the 4 M8x100mm Button Head with the 4 M8 Nyloc Nuts and Washers at each end. Fix the Seat Slats into each of the Seat Supports with 2 M8x70 Button Head Bolts, 2 Washers and Nyloc Nuts.

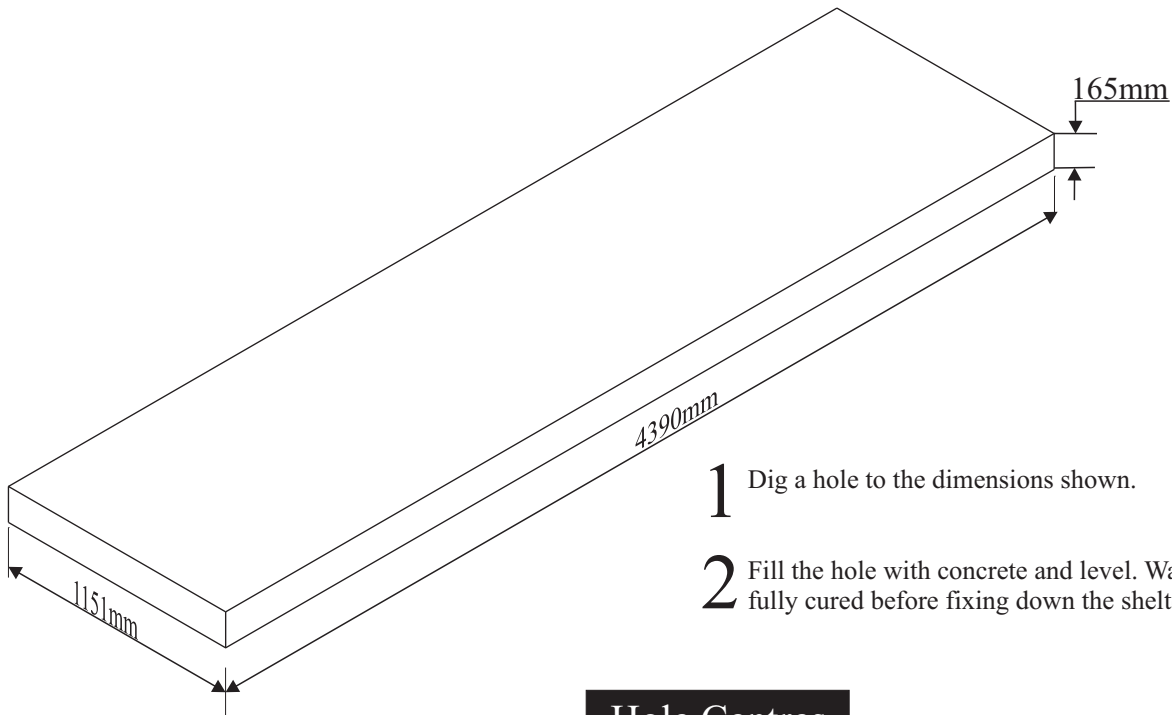
Finally tighten all of the bolts previously left hand tight. Do not over tighten the bolts as this will squash the Polycarbonate Back and Roof Sheets.



Code: SHE-004

Product: 4m Aluminium Team Shelter

Foundation Installation

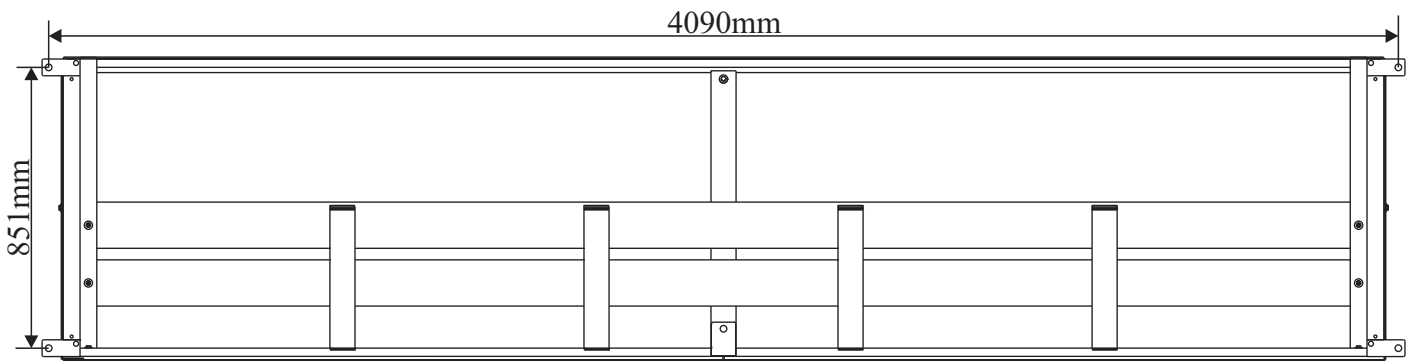


1 Dig a hole to the dimensions shown.

2 Fill the hole with concrete and level. Wait until the concrete is fully cured before fixing down the shelter

Hole Centres

Underside view



Place the Shelter in position and mark out the hole centres through the fixing lugs in the Sideframes.

Anchoring options;

ANC-010: Expanding Anchor Bolt Set Per 7

ANC-025: Chemi-Bolt Set Per 7