

Code: MAT-020

INS099

Revision 3

06/05/2014

© Harrod UK Limited

Product: Vertical Mat Trolley

## Pack Contents

- |                               |          |
|-------------------------------|----------|
| ① Part assembled Trolley x 1  |          |
| ② Trolley Handle x 1          | (ASY568) |
| ③ M8 x 50mm Roofing Bolts x 2 | (BOL513) |
| ④ M8 Nylock Nuts x 6          | (BOL402) |
| ⑤ M6 x 30 Roofing Bolts x 4   | (BOL650) |
| ⑥ M6 x Nylock Nuts x 4        | (BOL602) |
| ⑦ MDF 1900mmx150mmx12mm x 2   | (WPP281) |
| ⑧ End Cross Brace x 2         | (PEQ565) |
| ⑨ M8 x 50mm Hex Bolts x 6     | (BOL510) |

### Tools Required:

**2 x 13mm Spanners**

**1 x 10mm Spanner**

**1 x Flat Head Screw Driver**

PLEASE READ ASSEMBLY INSTRUCTIONS FULLY BEFORE ASSEMBLING YOUR MAT TROLLEY.

## View of Product

Fig.1

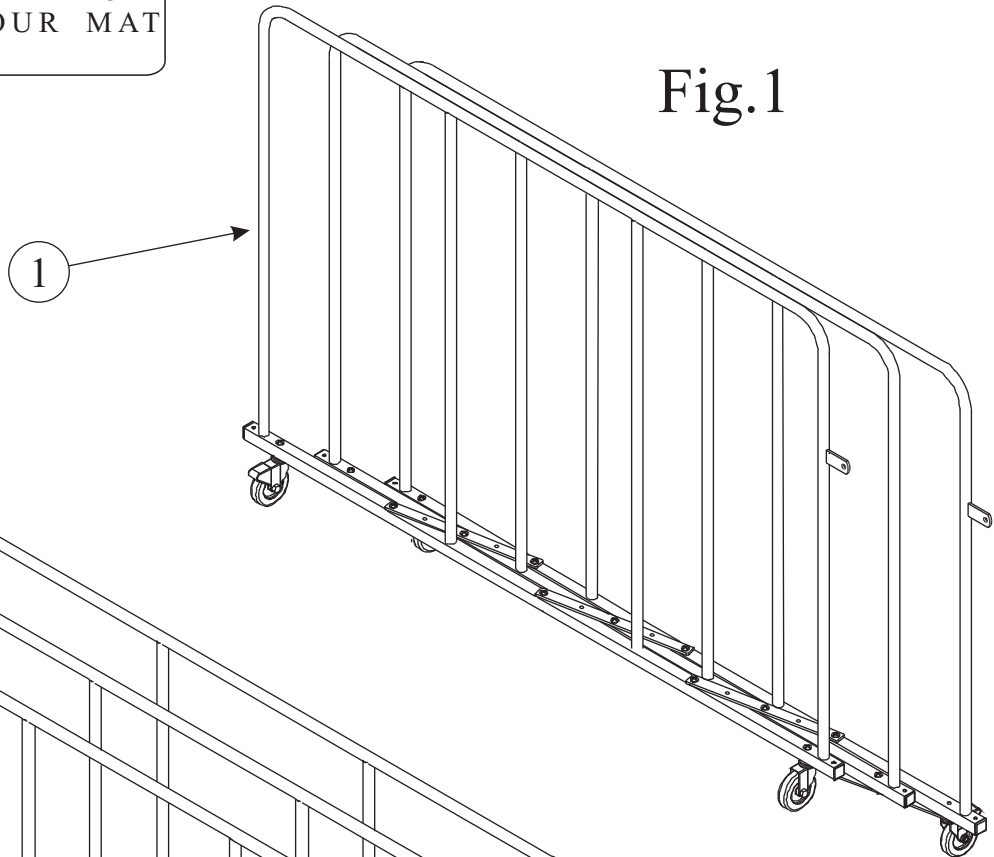
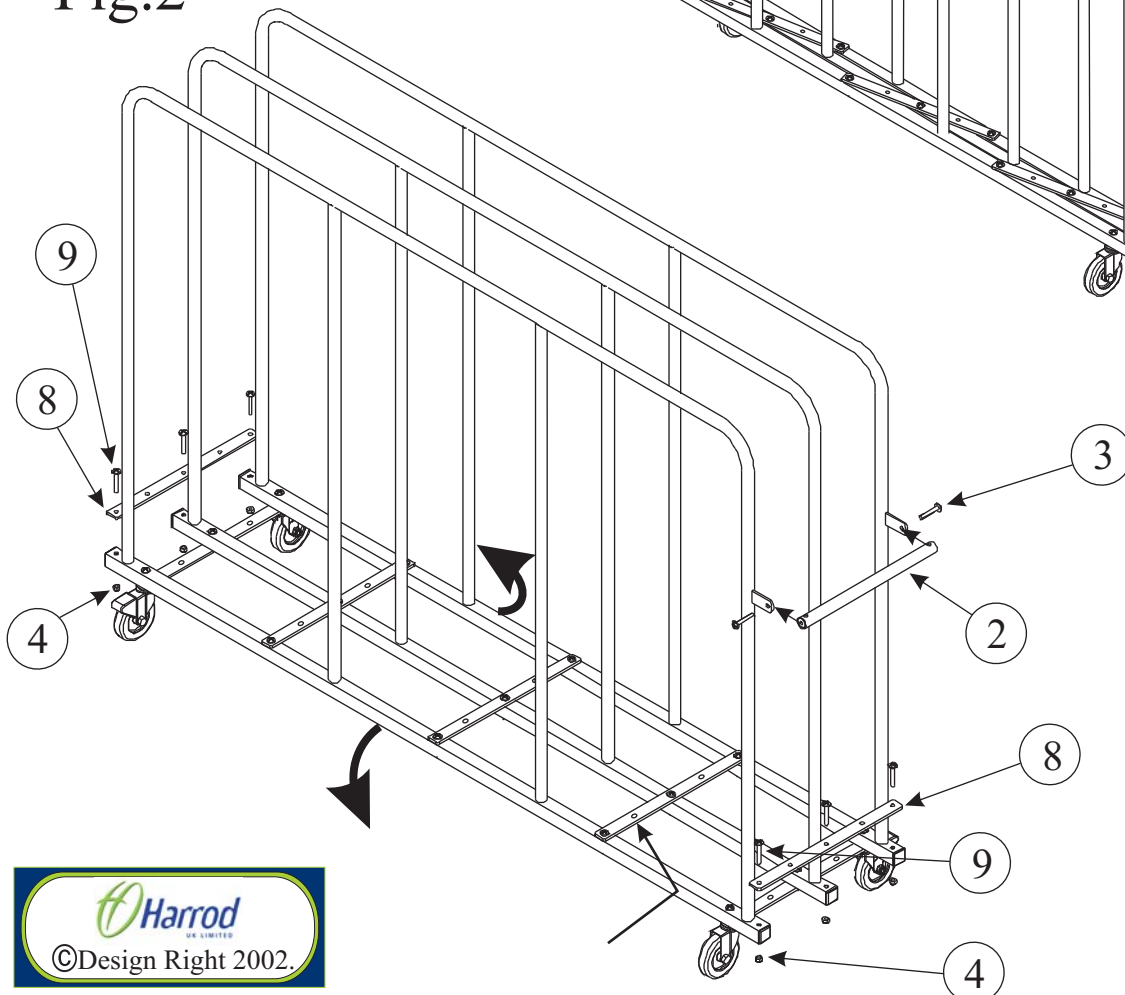


Fig.2

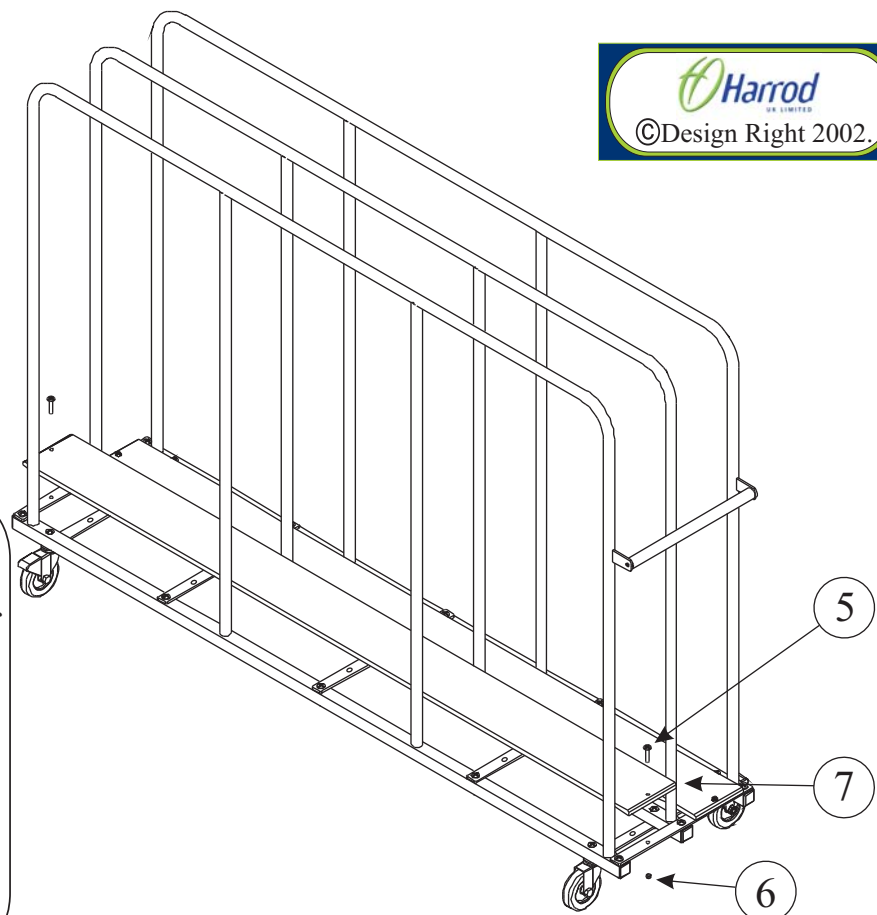


## Assembly Instructions

**Please Note:** For Safety reasons, it is highly recommended that two or more persons assemble the mat trolley, as the parts are heavy and will need supporting fully.

- 1 Using the pack contents list overleaf, identify the parts ready to assemble.
- 2 Unpack the part assembled trolley (part 1) and pull the 3 part frame apart to achieve a rectangle base with each end level as shown in fig.2.
- 3 Attach the end cross braces (part 8) using the M8 x 50mm Hex Bolts (part 9) and secure with the M8 x Nylocks (part 4). With both the end braces in place, ensure the frame is level at the ends then **tighten all the Nylock nuts, including the ones that are already in the frame and the ones that are on the 4 wheel brackets. Double check that they are all fully tightened!!!**
- 4 Attach the handle (part 2) using the M8 x 50 Roofing bolts (part 3), as shown in Fig.2 and Fig.3.
- 5 Place the MDF boards (part 7) on the frame (beveled side up) and attach using the M6 x 30 roofing Bolts (part 5) and secure with the M6 x Nylock Nuts (part 6). As shown in Fig.3.

Fig.3



**IMPORTANT:**

This mat Trolley is for the storage and transport of Floor Mats only. Do not stand on or use for any other purpose. Check the fastenings periodically and tighten when necessary.