

Pack Contents:

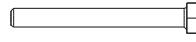
AEROBICS MAT TROLLEY PARTS.

- 1. 2 x Aerobics Mat Trolley Side Frames
- 2. 1 x Aerobics Mat Trolley Back Frame
- 3. 1 x Aerobics Mat Trolley Base Frame
- 4. 1 x Aerobics Mat Trolley MDF Base
- 5. 2 x 100mm Swivel Wheels
- 6. 2 x 100mm Swivel Wheels c/w Brake
- 7. 8 x 25.4SQ X 1.6/2mm Inside Caps

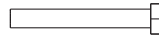
Bolts Pack



4 X M10 X 95mm Hex Bolts BZP



2 X M8 X 75mm Hex Bolts BZP



4 X M8 X 60mm Hex Bolts BZP



8 X M10 Nylon Washers



12 X M8 Skiffy Washers

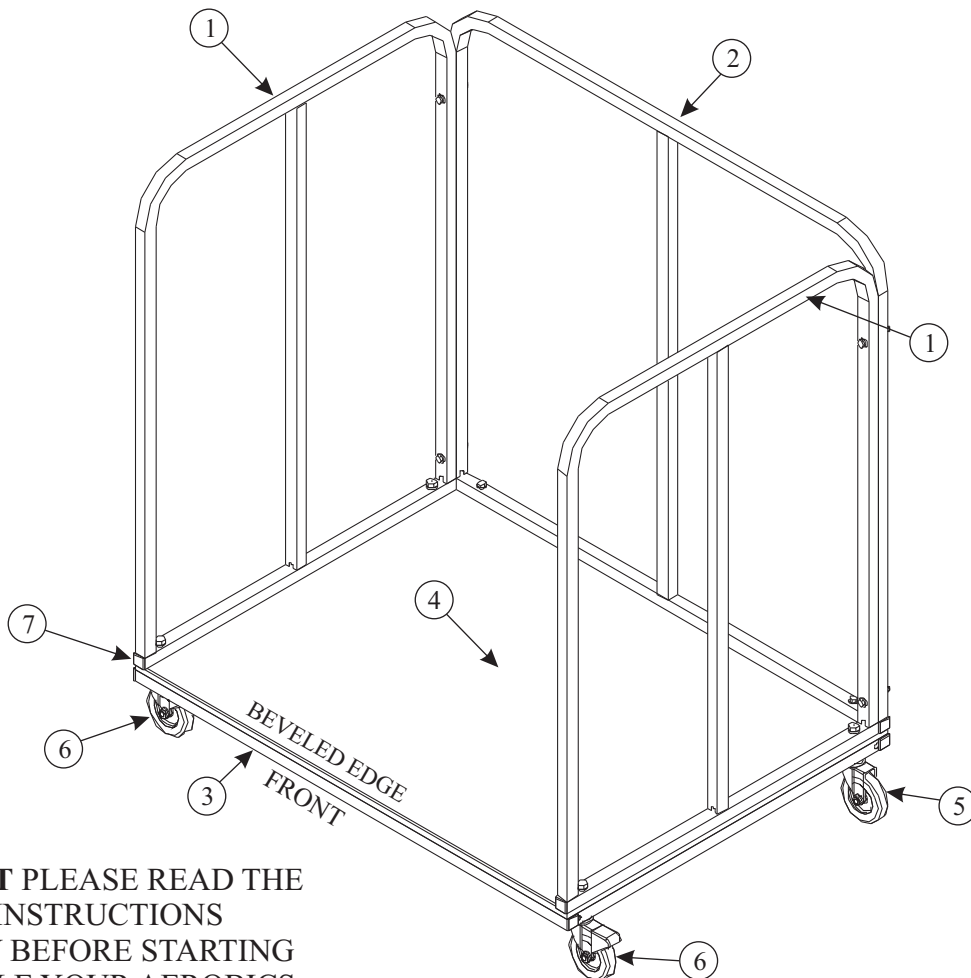


4 X M10 Nylocks BZP



6 X M8 Nylocks BZP

View of Aerobics Mat Trolley

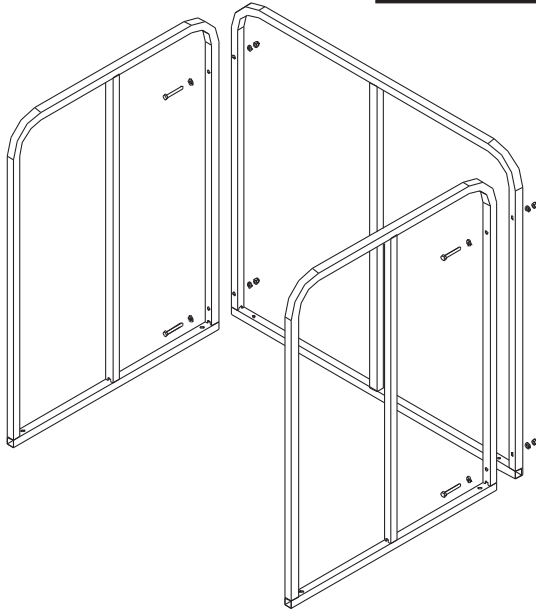


IMPORTANT PLEASE READ THE ASSEMBLY INSTRUCTIONS CAREFULLY BEFORE STARTING TO ASSEMBLE YOUR AEROBICS MAT TROLLEY.

Code: MAT-100

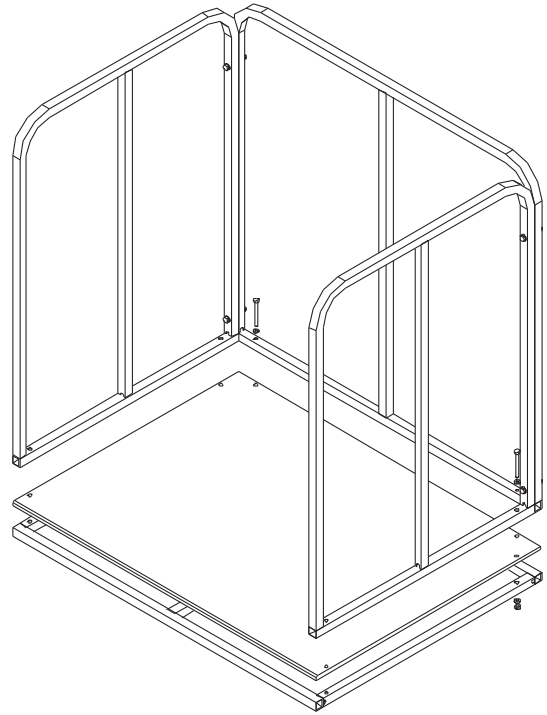
Product: Aerobics Mat Trolley

Assembly Instructions

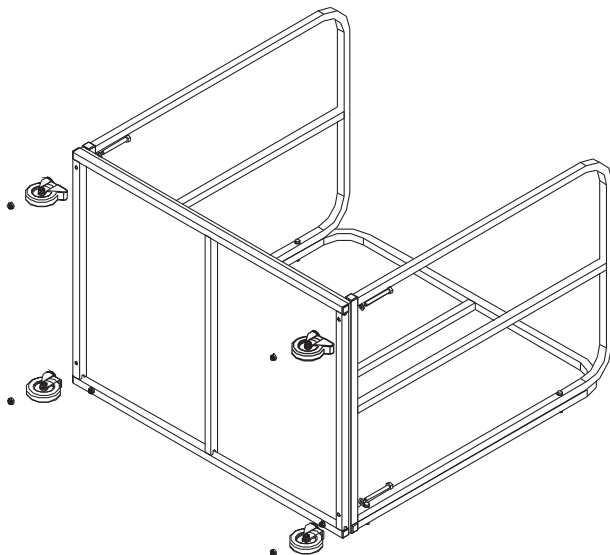


1 Before constructing the Aerobics Mat Trolley remove all protective packaging. Identify all the parts shown in the large view of the Aerobics Mat Trolley.

2 Identify the back frame and the two side frames and assemble using the four M8 X 60mm hex bolts, eight of the M8 skiffy washers and four of the M8 nylocks.



3 Position the MDF base onto the trolley base frame, ensuring the holes are in line and the beveled edge upper-most to the front. Attach the semi-assembled side and back frame to the MDF base using the two M8 X 75mm hex bolts, the remaining four of the M8 skiffy washers and the two remaining M8 nylocks.



4 To attach the four wheels, position the partly assembled trolley onto it's side.

Using the four M10 X 95mm hex bolts with a M10 nylon washer on each bolt attach the wheels to the base ensuring that the two wheels with brakes are at the front of the trolley. Place a M10 nylon washer and a M10 nylock on each bolt and tighten.

Finally insert the eight inside caps into the exposed ends of the trolley.