

Pack Contents

HAN-003 Wheelaway Handball Posts

1. 2 x Handball Crossbar (FEQ400)
2. 2 x L/H Handball Upright & Frame (FEQ401)
3. 1 x Handball Backbar (FEQ402)
4. 2 x R/H Handball Upright & Frame (FEQ403)

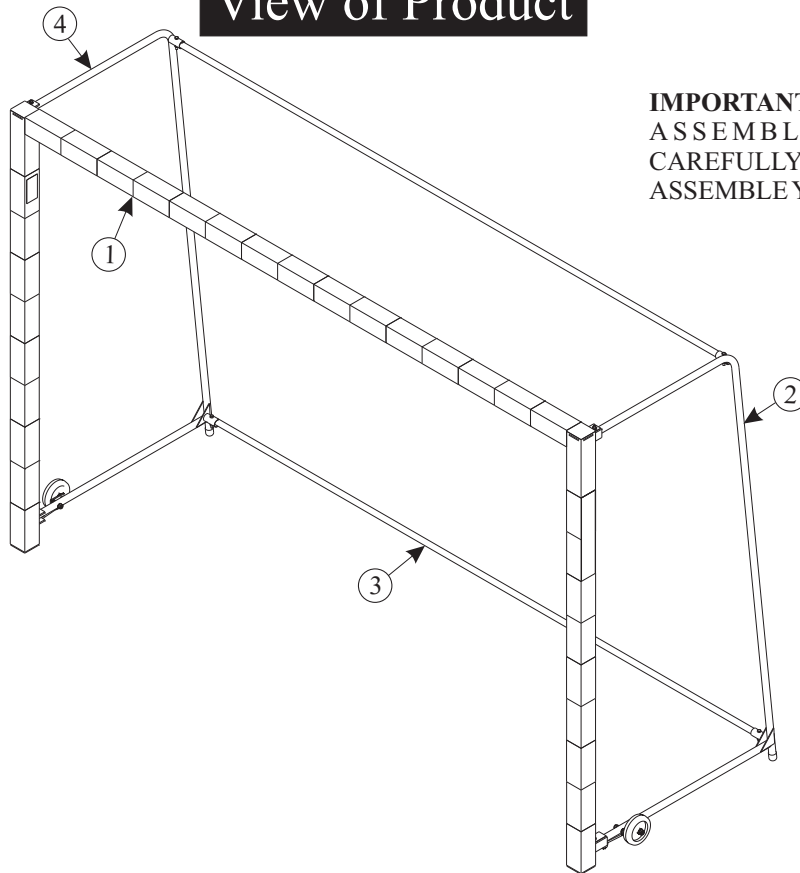
WAW Handball Fittings Pack (contains) (FPK222)

5. 8 x M8 Nut (BOL400)
6. 8 x M8x50mm Hex Bolt (BOL510)
7. 1 x Pack Synthetic Post Hooks (FBL-444)

View of Product

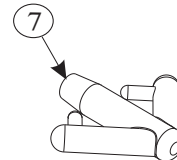
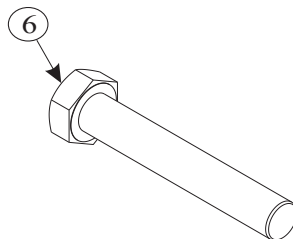
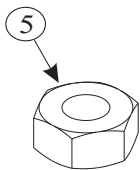
Tools Required

- 2x 13mm Spanner
- 1x 19mm Spanner



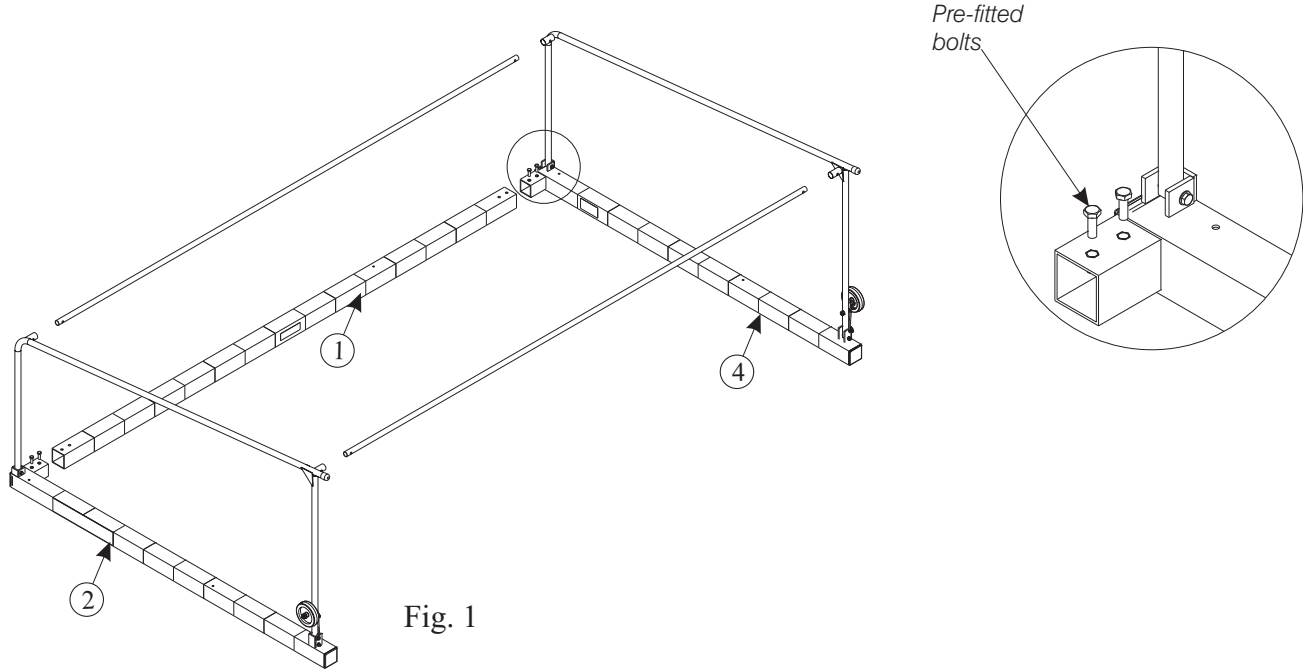
IMPORTANT PLEASE READ THE ASSEMBLY INSTRUCTIONS CAREFULLY BEFORE STARTING TO ASSEMBLE YOUR GOAL POSTS.

Fittings

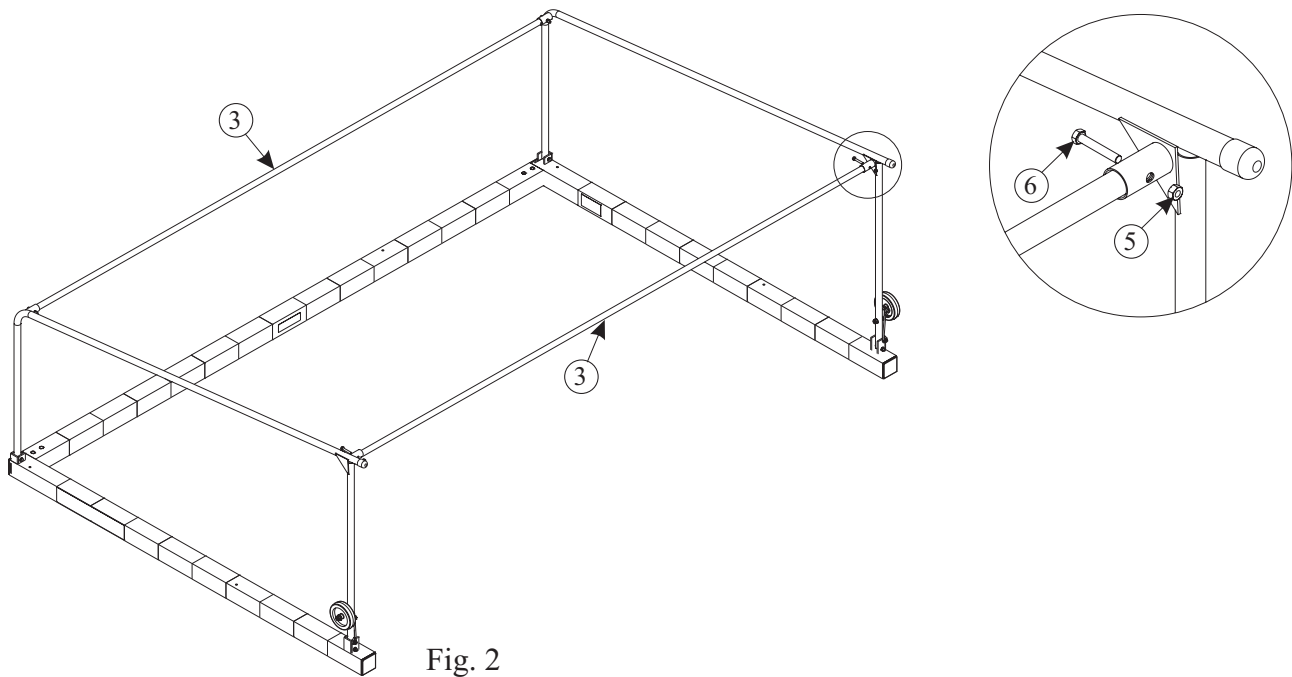


Assembly Instructions

1 Lay all parts onto a smooth flat surface to avoid scratching the posts. Remove the pre-fitted M10x30mm Hex Bolts, in the sideframes and connect the L/H (2) and R/H (4) Sideframes to the Crossbar (1). Secure with the M10 Bolts and tighten with a 17mm Spanner.



2 Attach the Top & Bottom Backbars (3) with two M8x50mm Hex Bolts (6) and two M8 Nuts (5), as shown in Fig 2. Tighten with 13mm Spanners.



Assembly Instructions

3 To fold the goal, remove the Top and Bottom Backbars and push the Sideframes in, as shown in Fig. 3

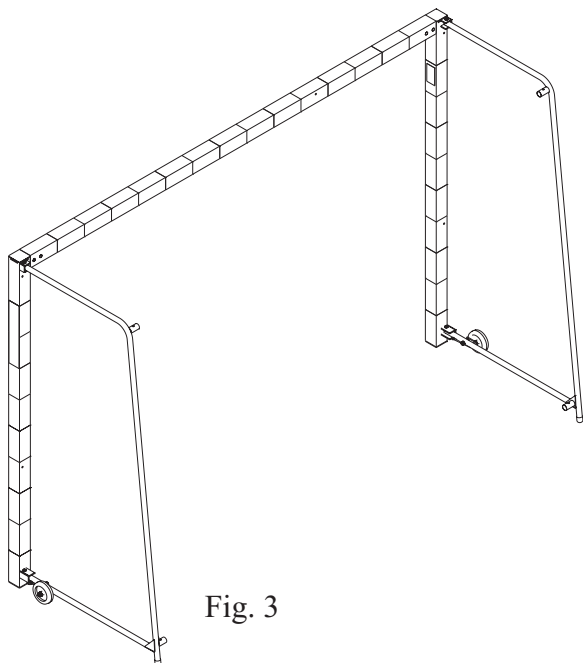
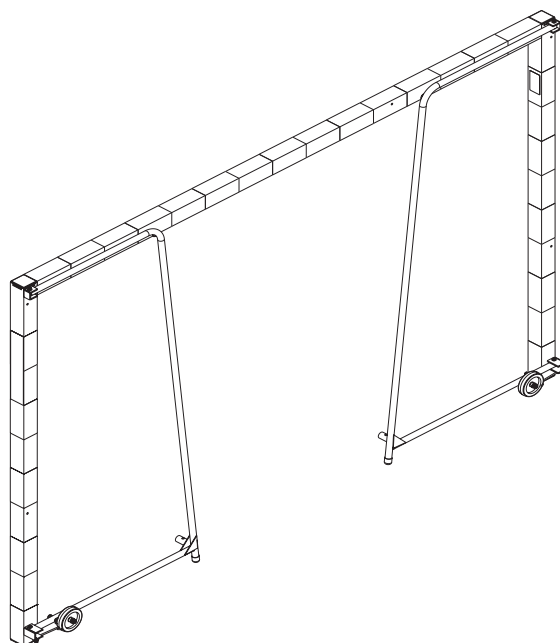


Fig. 3



4 Once the goal has been folded the wheels will drop into position, allowing the goal to be easily moved.

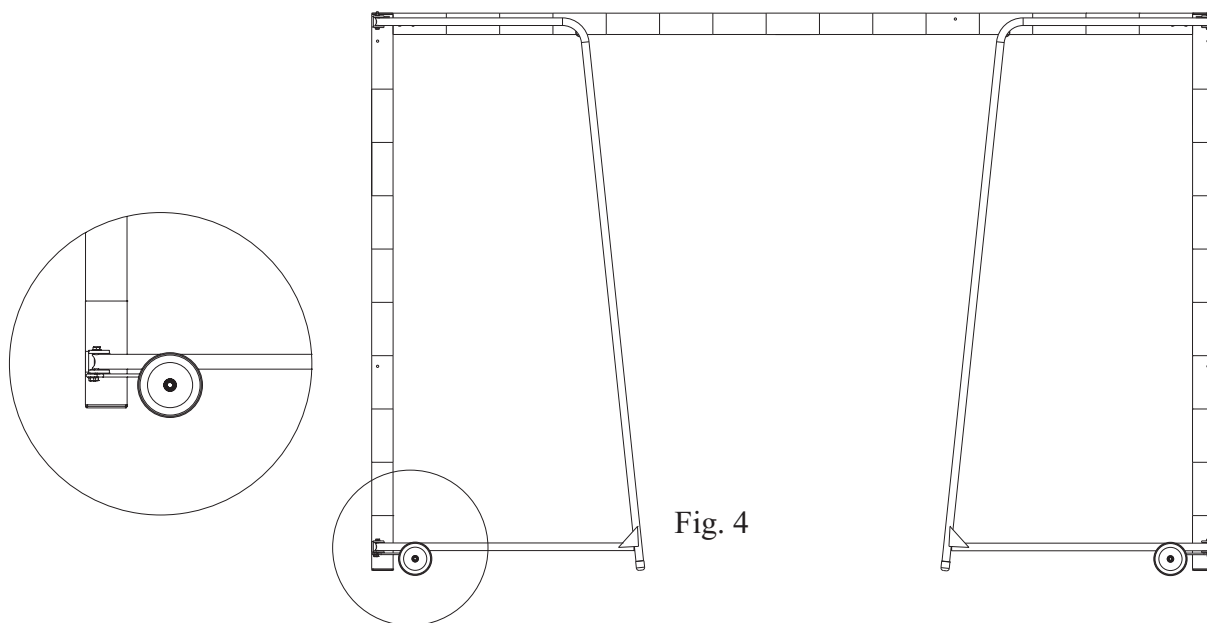


Fig. 4