

Pack Contents:

Identify the product that you have purchased and refer to the correct pack contents shown below. The fittings pack is universal.

Caution Remove the packaging carefully using scissors with rounded ends, do not use knives to cut the packaging this will damage the paint work.

Main Goal Parts

FBL-079 5.49x1.83m 3G Portagoal

1. 2 x FEP377 5.49m 3G Portagoal Crossbar
2. 2 x FEP376 5.49m 3G Portagoal Backbar
3. 2 x FEP288 1.83m 3G Portagoal Upright (pair)
4. 2 x FEP289 1.83m 3G Portagoal Sidebar (pair)
5. 4 x PEP521 3G Portagoal Net Support (packed in FEP521)
6. 4 x PEQ336 Net Support Brace (packed in FEP521)

FBL-084 6.4x2.13m 3G Portagoal

1. 2 x FEP361 6.4m 3G Portagoal Crossbar
2. 2 x FEP362 6.4m 3G Portagoal Backbar
3. 2 x FEP286 2.13m 3G Portagoal Upright (pair)
4. 2 x FEP287 2.13m 3G Portagoal Sidebar (pair)
5. 4 x PEP520 3G Portagoal Net Support (packed in FEP520)
6. 4 x PEQ336 Net Support Brace (packed in FEP520)

FBL-206 3.66x2.14m 3G Portagoal For Blind Football

1. 2 x FEP363 3.66m 3G Portagoal Crossbar
2. 2 x FEP364 3.66m 3G Portagoal Backbar
3. 2 x FEP779 2.14m 3G Portagoal Upright (pair)
4. 2 x FEP287 2.13m 3G Portagoal Sidebar (pair)
5. 4 x PEP776 3G Portagoal Net Support (packed in FEP776)
6. 4 x PEQ336 Net Support Brace (packed in FEP776)

FBL-207 4.88x2.13m 3G Portagoal

1. 2 x FEP369 4.88m 3G Portagoal Crossbar
2. 2 x FEP367 4.88m 3G Portagoal Backbar
3. 2 x FEP286 2.13m 3G Portagoal Upright (pair)
4. 2 x FEP287 2.13m 3G Portagoal Sidebar (pair)
5. 4 x PEP520 3G Portagoal Net Support (packed in FEP520)
6. 4 x PEQ336 Net Support Brace (packed in FEP520)

FBL-208 5x2m 3G Portagoal

1. 2 x FEP294 5m 3G Portagoal Crossbar
2. 2 x FEP293 5m 3G Portagoal Backbar
3. 2 x FEP291 1982mm (5x2m) Portagoal Upright (pair)
4. 2 x FEP283 2m 3G Portagoal Sidebar (pair)
5. 4 x PEQ097 Net Supports (packed in FEQ097)
6. 4 x PEQ336 Portagoal Brace 622mm (packed in FEQ097)

Main Goal Parts

FBL-209 3x2m 3G Portagoal

1. 2 x FEP407 3204mm 3G Portagoal Crossbar
2. 2 x FEP408 3204mm 3G Portagoal Backbar
3. 2 x FEP295 1982mm (3x2m) Portagoal Upright (pair)
4. 2 x FEP283 2m 3G Portagoal Sidebar (pair)
5. 4 x PEQ097 Net Supports (packed in FEQ097)
6. 4 x PEQ336 Portagoal Brace 622mm (packed in FEQ097)

FBL-210 3.66x1.83m 3G Portagoal

1. 2 x FEP363 3.66m 3G Portagoal Crossbar
2. 2 x FEP364 3.66m 3G Portagoal Backbar
3. 2 x FEP288 1.83m 3G Portagoal Upright (pair)
4. 2 x FEP289 1.83m 3G Portagoal Sidebar (pair)
5. 4 x PEP521 3G Portagoal Net Support (packed in FEP521)
6. 4 x PEQ336 Net Support Brace (packed in FEP521)

FBL-215 4.88x1.83m 3G Portagoal

1. 2 x FEP368 4.88m 3G Portagoal Crossbar
2. 2 x FEP367 4.88m 3G Portagoal Backbar
3. 2 x FEP288 1.83m 3G Portagoal Upright (pair)
4. 2 x FEP289 1.83m 3G Portagoal Sidebar (pair)
5. 4 x PEP521 3G Portagoal Net Support (packed in FEP521)
6. 4 x PEQ336 Net Support Brace (packed in FEP521)

FBL-600 7.32x2.44m 3G Portagoal

1. 2 x FEP360 7.32m 3G Portagoal Crossbar
2. 2 x FEP359 7.32m 3G Portagoal Backbar
3. 2 x FEP284 2.44m 3G Portagoal Upright (pair)
4. 2 x FEP285 2.44m 3G Portagoal Sidebar (pair)
5. 4 x PEP519 3G Portagoal Net Support (packed in FEP519)
6. 4 x PEQ336 Net Support Brace (packed in FEP519)

FBL-731 6x2.1m 3G Portagoal

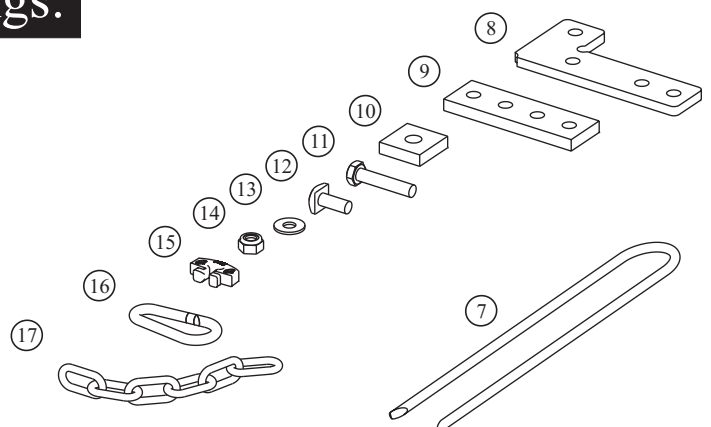
1. 2 x FEP798 6m 3G Portagoal Crossbar
2. 2 x FEP799 6m 3G Portagoal Backbar
3. 2 x FEP836 2.1m Portagoal Upright (pair)
4. 2 x FEP287 2.13m 3G Portagoal Sidebar (pair)
5. 4 x PEP874 Net Supports (packed in FEP874)
6. 4 x PEQ336 Portagoal Brace 622mm (packed in FEP874)

Fittings:

Fittings Pack (FPK551 - 1 per set).

2 x ASY550 includes:

- | | |
|----------------|---------------------------|
| 7. 2 x PEG021 | “U” Peg |
| 8. 4 x PEP416 | L-Plate |
| 9. 2 x PEP299 | Joint Plate |
| 10. 2 x APP150 | Spacer block. |
| 11. 2 x BOL306 | M10 x 50 Hex Head Bolt |
| 12. 28x BOL336 | M10 x 25 Square HD Bolt |
| 13. 26x BOL709 | M10 Plain Washer |
| 14. 30x BOL202 | M10 Nyloc Nut BZP |
| 15. 1 x FPK369 | Plastic Net Hook (100 pk) |
| 16. 2 x HKS008 | Carbine Clip |
| 17. 2 x BOL827 | Ground Anchor Chain |



Code: FBL-079/084/206/207/210/215/600

This product is protected by © Copyright and Design Right Harrod UK Ltd 2006

Product: 3G Aluminium Football Goalposts

View of Product

IMPORTANT PLEASE READ THE ASSEMBLY INSTRUCTIONS CAREFULLY BEFORE STARTING TO ASSEMBLE YOUR TRAINING GOAL

Tools Required
2 x 17mm Spanners

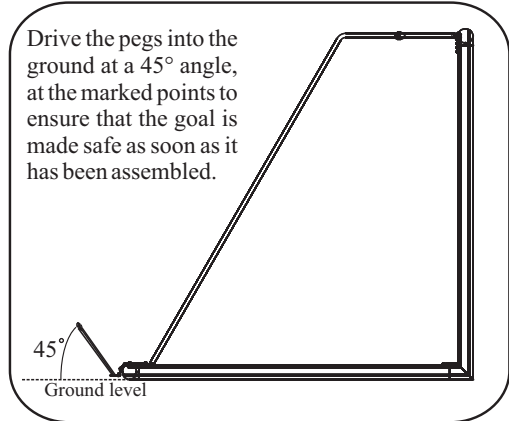
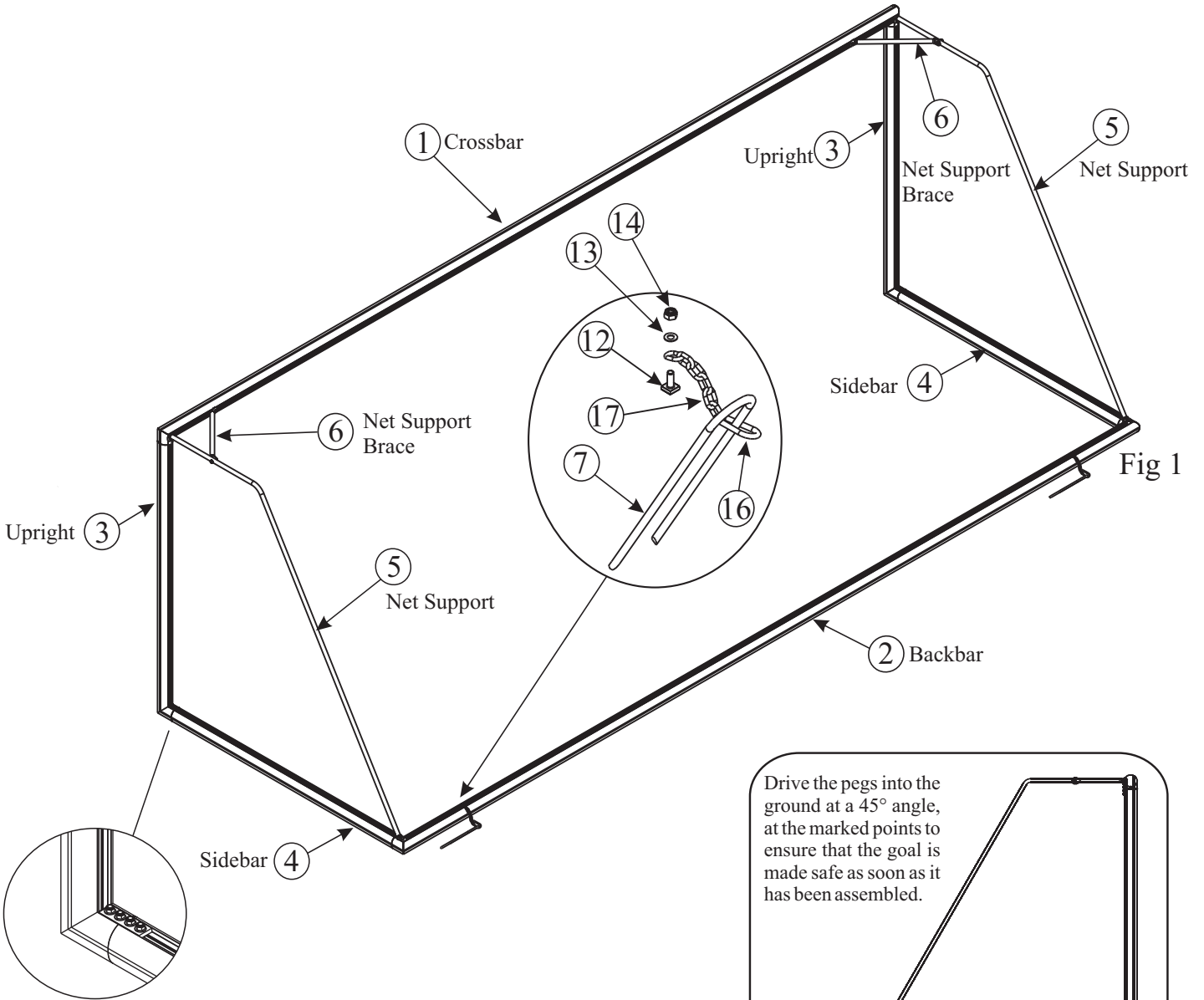


Fig.3

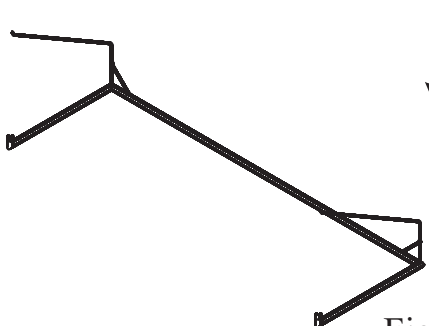


Fig 2.1

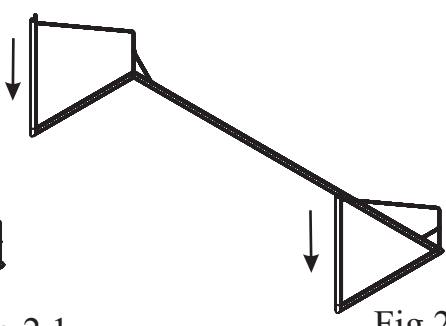


Fig 2.2

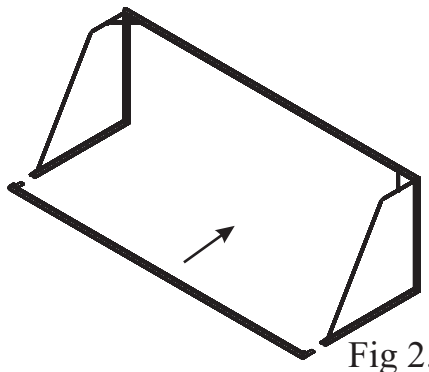


Fig 2.3

Assembly Instructions

Please Note: For safety reasons, It is recommended that two or more people assemble this goal and it should take 45mins.

1 Use the pack contents to identify and check all the components. The goal will be assembled in three stages as shown in Fig 2.

2 Crossbar and Uprights - Lay the crossbar (1), and uprights (3) on the ground with the slots facing upwards and slide 3 square head bolts (12) into the slots at both ends of the each crossbar, and 2 square head bolts into the end of each upright.

3 Crossbar - Slide the upright onto the crossbar. Fit the crossbar fixing plates (8) and net supports (5) onto the bolts in the crossbar and the uprights and secure with washers (13) and nuts (14) (It is advisable for someone to hold the net support in place until the net support diagonal brace has been fitted). Fit the net support braces (6) between the net supports and the crossbar with the spacer blocks (10) and secure with a 50mm bolt (11), washers (13) and nuts (14), all as shown in Fig 3. The goal will now look like Fig 2.1.

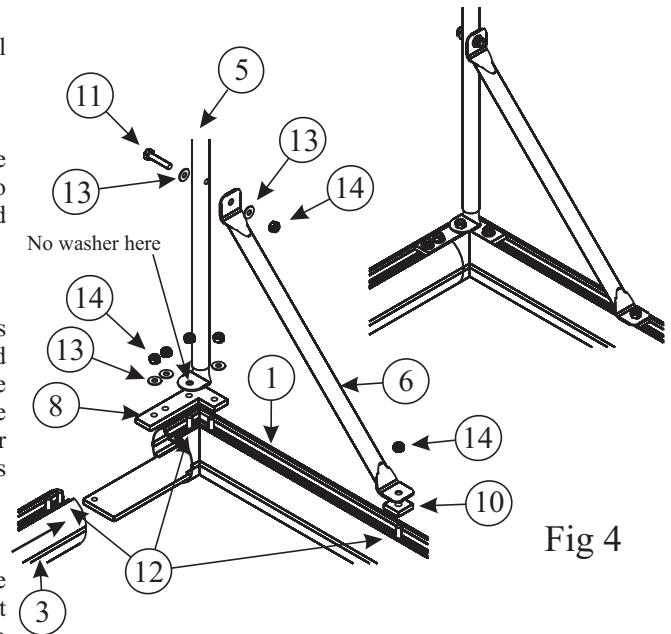


Fig 4

4 Sidebar - Insert 4 square head bolts into the sidebar and fit the Joint Plate (9) with washers (13) and nuts (14) (hand tighten 3 nuts and fasten the last enough to stop the plate sliding down the section when the sidebar is lifted into position). Lift the side bar into a vertical position and slide onto the upright. Loosen the joint plate and slide into position then fasten as shown in Fig. 5. At this point do not secure the net supports to the sidebars. The goal will now resemble Fig. 2.2.

Evenly space yourselves around the goal, and slowly lift the goal onto its side bars. If you have optional flip over wheels to fit, you will need to fit a further 4 square head bolts into the slot on each sidebar (these bolts will be supplied with flip over wheels).

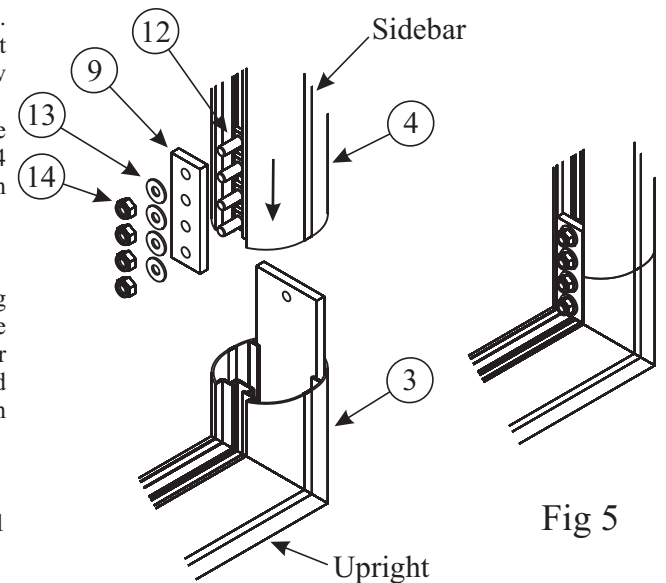


Fig 5

5 Backbar - Place the backbar behind the goal, with the slots facing upwards. Then slide 3 square headed bolts into the slots at both ends of the backbar, and 2 square head bolts into the ends of the sidebars. Slide the backbar onto sidebars as shown in Fig. 2.3. Place the Corner Plate (8) over the bolts and attach the net support to the first bolt. Secure with washers and bolts. As shown in Fig. 6.

6 Fit the chain onto to the remaining bolts in the backbar, as shown in Figs 1 & 6 and anchor as shown in Fig 7.

Fitting the Net

Unpack your net (Sold separately) and identify the Crossbar edge by locating the crossbar label. Attach the hooks to the net approx 250mm apart, then insert the hook into the slot on the goal section and twist to lock (it is a good idea to fit the net at all corners first, to make sure that it is fitted correctly).

Important safety note:

Now that you have assembled your goal, it is very important that the goal is secured to the ground **immediately**. To do this, position the goal and make a mark where the pegs need to be driven in. When you have a mark, move the goal slightly so that you can drive the peg in with no obstructions. When the peg is in, move the goal and attach the chain using the dog clip. The chain **must** remain tight. Check the pegs periodically for loose earth, re-position when required.

If used on a synthetic pitch, the goal must be suitably anchored to conform to BS EN 748 or BS 8462. This can be achieved by either installing a ground anchor below the synthetic grass level, by attaching to the nearest perimeter fixing point or attaching 6 x ANC-005 or 4 x ANC-005 for Mini-Soccer Goals.

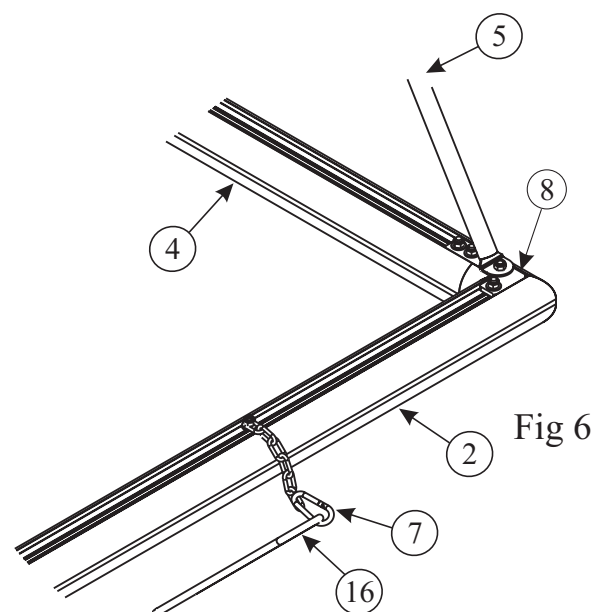


Fig 6