

Product Codes:

SUPER HEAVY WEIGHT ROUND

FBL-046 Senior - 7.32x2.44m

- | | |
|--------------------------|-----------|
| 1. 2 x Crossbar | (FBL-275) |
| 2. 2 x Upright (pair) | (FBL-277) |
| 3. 1 x Socket (set of 4) | (FBL-295) |

Socket Centres = 7396mm

FBL-049 Junior 6.4X2.13m

- | | |
|--------------------------|-----------|
| 1. 2 x Crossbar | (FEQ261) |
| 2. 2 x Upright (pair) | (FEQ543) |
| 3. 1 x Socket (set of 4) | (FBL-295) |

Socket Centres = 6476mm

FBL-192 4.88m x 1.8m

- | | |
|--------------------------|----------|
| 1. 2 x Crossbar | (FEQ262) |
| 2. 2 x Upright (pair) | (FEQ544) |
| 3. 1 x Socket (set of 4) | (FEQ265) |

Socket Centres = 4956mm

FBL-147 MINI 3.66x1.83m

- | | |
|--------------------------|----------|
| 1. 2 x Crossbar | (FEQ263) |
| 2. 2 x Upright (pair) | (FEQ544) |
| 3. 1 x Socket (set of 4) | (FEQ265) |

Socket Centres = 3736mm

FBL-251 9-A-SIDE 4.8x2.13M

- | | |
|--------------------------|----------|
| 1. 2 x Crossbar | (FEQ262) |
| 2. 2 x Upright (pair) | (FEQ543) |
| 3. 1 x Socket (set of 4) | (FEQ265) |

Socket Centres = 4956mm

FBL-058 Senior 7.32X2.44m + Locking Sockets

- | | |
|--------------------------|-----------|
| 1. 2 x Crossbar | (FBL-275) |
| 2. 2 x Upright (pair) | (FEQ388) |
| 3. 1 x Socket (set of 4) | (FBL-297) |

Socket Centres = 7396mm

FBL-059 Junior 6.4x2.2.13m + Locking Sockets

- | | |
|---------------------------|-----------|
| 1. 2 x Crossbar | (FEQ261) |
| 2. 2 x Upright (pair) | (FEQ389) |
| 3. 1 x Sockets (set of 4) | (FBL-297) |

Socket Centres = 6476mm

FBL-193 4.88x1.8m + Locking Sockets

- | | |
|--------------------------|----------|
| 1. 2 x Crossbar | (FEQ262) |
| 2. 2 x Upright (pair) | (FEQ395) |
| 3. 1 x Socket (set of 4) | (FEQ266) |

Socket Centres = 4956mm

FBL-144 MINI 3.66x1.83m + Locking Sockets

- | | |
|--------------------------|----------|
| 1. 2 x Crossbar | (FEQ263) |
| 2. 2 x Upright (pair) | (FEQ395) |
| 3. 1 x Socket (set of 4) | (FEQ266) |

Socket Centres = 3736mm

FBL-252 9-A-Side 4.88 x 2.13m

- | | |
|--------------------------|-----------|
| 1. 2 x Crossbar | (FEQ262) |
| 2. 2 x Upright (pair) | (FEQ389) |
| 3. 1 x Socket (set of 4) | (FBL-297) |

Socket Centres = 4956mm

Code:

Product: Steel Football Goal Posts

HEAVY WEIGHT ROUND

FBL-047 Senior 7.32x2.44m

- 1. 2 x Crossbar (FBL-270)
- 2. 2 x Upright (pair) (FBL-272)
- 3. 1 x Socket (set of 4) (FBL-296)

Socket Centres = 7380mm

FBL-152 MINI 4.88x1.83m

- 1. 2 x Crossbar (FEQ283)
- 2. 2 x Upright (pair) (FEQ547)
- 3. 1 x Socket (set of 4) (FEQ276)

Socket Centres = (4940mm)

FBL-173 FUTSAL 3 x 2m

- 1. 2 x Crossbar (FEQ449)
- 2. 2 x Upright (pair) (FEQ548)
- 3. 1 x Socket (set of 4) (FEQ276)

Socket Centres = 3060mm

FBL-051 Junior 6.4x2.13m

- 1. 2 x Crossbar (FEQ271)
- 2. 2 x Upright (pair) (FEQ546)
- 3. 1 x Socket (set of 4) (FBL-296)

Socket Centres = 6460mm

FBL-139 MINI 3.66x1.83m

- 1. 2 x Crossbar (FEQ290)
- 2. 2 x Upright (pair) (FEQ547)
- 3. 1 x Socket (set of 4) (FEQ276)

Socket Centres = 3720mm

FBL-250 9-A-Side 4.8x2.13m

- 1. 2 x Crossbar (FEQ283)
- 2. 2 x Upright (FEQ546)
- 3. 1 x Socket (set of 4) (FEQ276)

Socket Centres = 4940mm

ANTI VANDAL SQUARE

FBL-045 Senior - 7.32x2.44m 600mm Sockets

- 1. 2 x Crossbar (FEQ250)
- 2. 4 x Uprights (FEQ252)
- 3. 4 x 600mm Sockets (FBL-293)

Socket Centres = 7395mm

FBL-044 Senior - 7.32x2.44m 450mm Sockets

- 1. 2 x Crossbar (FEQ250)
- 2. 4 x Uprights (FEQ253)
- 3. 4 x 450mm Socket (FBL-292)

Socket Centres = 7395mm

FBL-094 Junior - 6.4x2.13m 600mm Sockets

- 1. 2 x Crossbar (FEQ251)
- 2. 4 x Uprights (FEQ254)
- 3. 4 x 600mm Sockets (FBL-293)

Socket Centres = 6475mm

FBL-043 Junior - 6.4x2.13mm 450mm Sockets

- 1. 2 x Crossbar (FEQ251)
- 2. 4 x Uprights (FEQ249)
- 3. 4 x 450mm Sockets (FBL-292)

Socket Centers = 6475mm

CONTINENTAL NET SUPPORTS

- FBL-053 Senior Solid (set of 4)
- FBL-081 Senior Tubular (set of 4)
- FBL-083 Mini Solid (set of 4)
- FBL-082 Mini Tubular (set of 4)

INTERNATIONAL NET SUPPORTS

- FBL-066 Senior (set of 4)

Code:

Product: Steel Football Goal Posts

Pack Contents:

See back page for spare parts breakdown

- ① 2 x Crossbars
- ② 4 x Uprights
- ③ 4 x Sockets
- ④ Net hooks (packed with crossbar)

Note

The Super Heavy Weight, Heavy Weight & Anti Vandal uprights are supplied with fittings (BOL331 & BOL721) for attaching to the crossbar and back supports.

Net Hooks (HKS023) are supplied with Senior and Junior Crossbars but not with Mini-Soccer Goals.

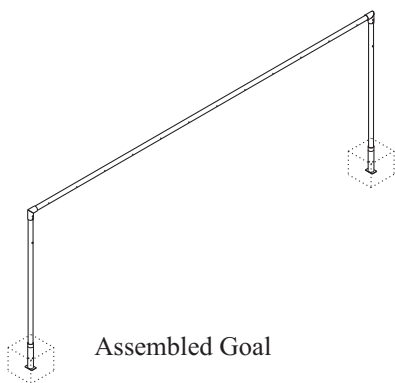
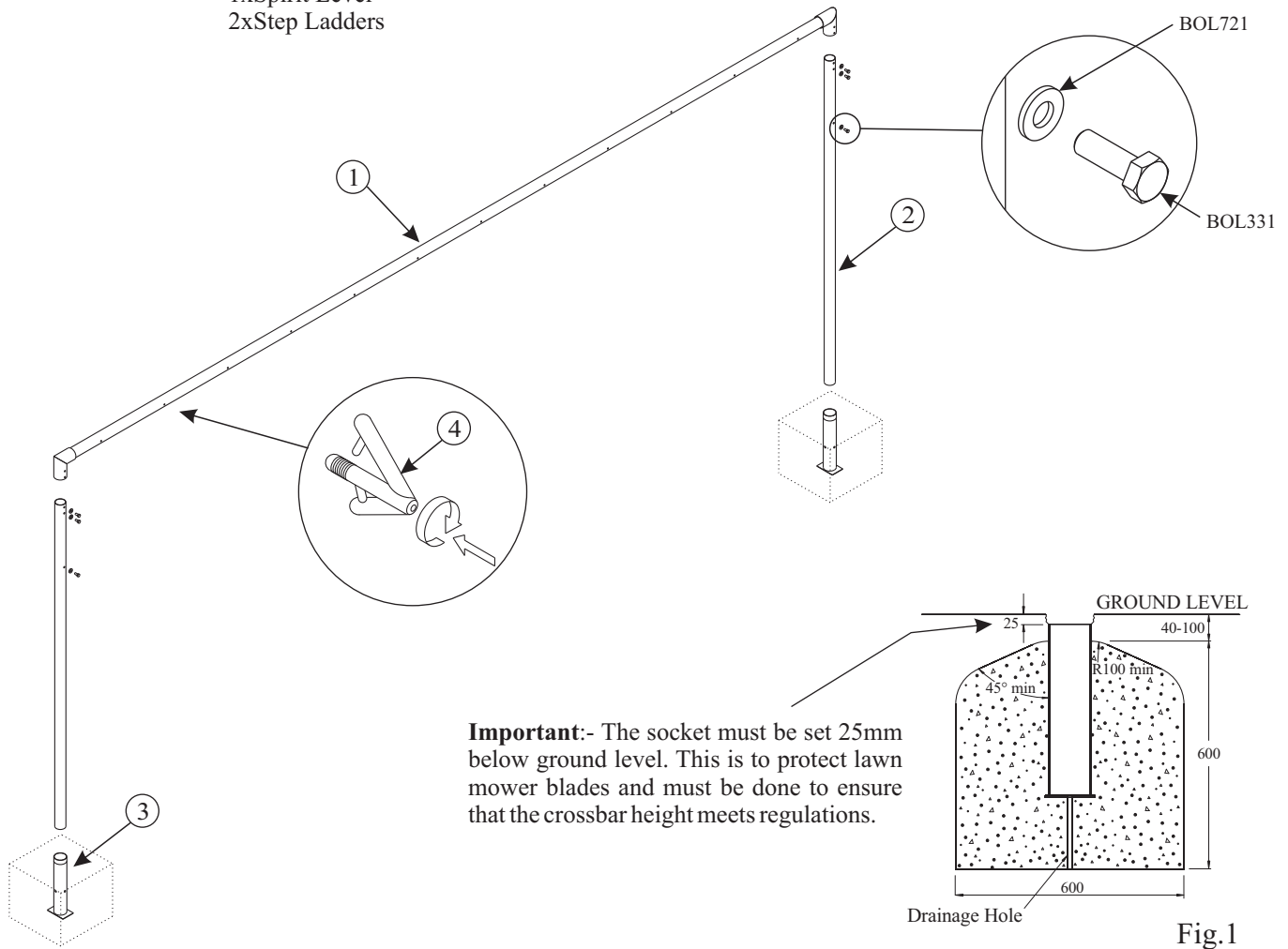
Assembly Requirements

Number of People: 2

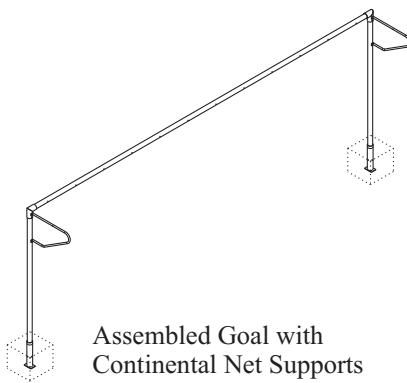
Tools Needed: 1x17mm Spanner
1xSpirit Level
2xStep Ladders

View of Product

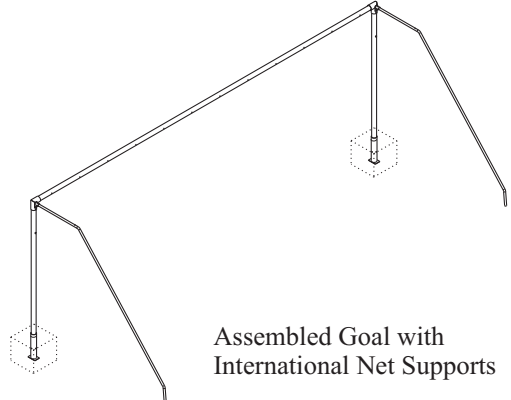
PLEASE READ ALL OF THE INSTRUCTIONS FOR YOUR GOAL BEFORE YOU BEGIN ASSEMBLY.



Assembled Goal



Assembled Goal with Continental Net Supports



Assembled Goal with International Net Supports

Please Note: When fitting International Net Supports, the base of the support need to be pushed into the ground. Ensuring the top of Net Support stays parallel with the ground.

Code:

Product: Steel Football Goal Posts

Socket Installation

Follow the instructions below and concrete the sockets (3) in place at Centres given on front page (as shown in Figs 1&2) or using the crossbar (1) as a template to mark the positions.

Dig the holes large enough for a 600mm 'minimum' cube of concrete surrounding each socket. Position the sockets with the top set 25mm below ground level. For locking sockets, ensure that the steel pin inside the socket is facing towards the pitch. Finish the concrete 40-100mm below ground level to allow for soil and turf. Insert a piece of wooden dowel through the hole in the socket plate and withdraw when set (to create a drainage hole through your concrete). Using a spirit level, periodically check that the sockets are vertical. Allow the concrete to cure before assembling the rest of your goal.

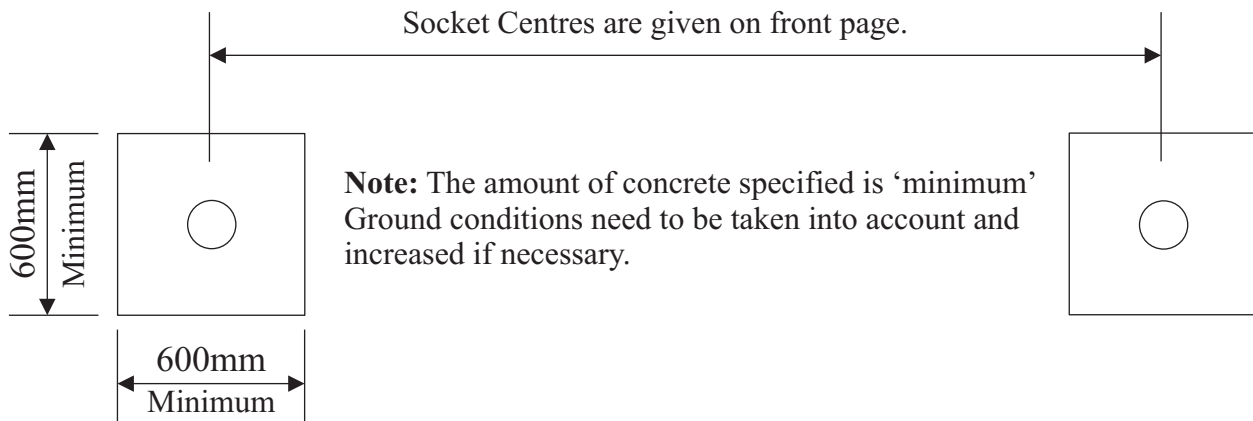


Fig.2

Assembly Instructions

- 1 Fit the net hooks (4) to the crossbar (1) (Hooks are not supplied with Mini-Soccer Goals).
- 2 Insert the uprights into the sockets (make sure that the rivet nuts face the back of the goal). For posts with locking sockets you will need to twist the upright to lock (as shown in Fig 3).
- 3 Using the step ladders, fit the crossbar onto the uprights. Secure in place using BOL331: M10x30 Set screws and BOL721: 10.5mm Nylon Washers. If net supports are to be fitted bolt these to the uprights as shown in Figs 4 & 5.

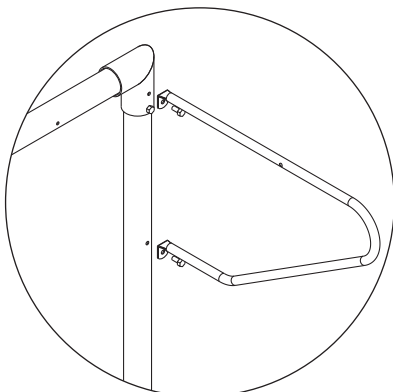


Fig.4 Continental Net Supports

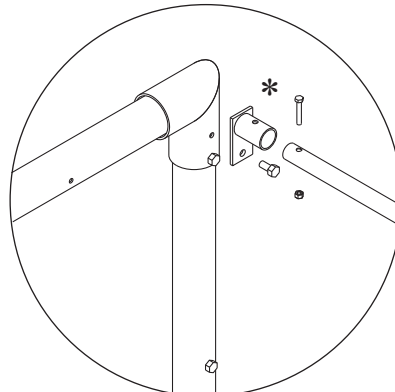


Fig.5 International Net Supports

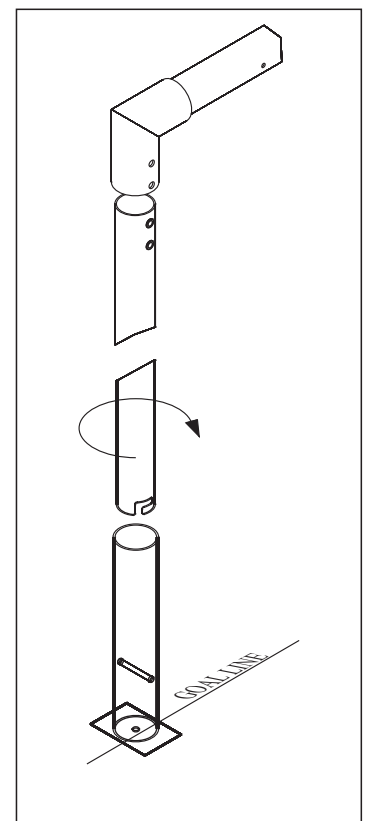


Fig 3
Locking Socket Version

* For Anti-vandal football Goals the net support bracket fits upside down to the one shown in Fig 5.

GENERAL OPERATION & MAINTENANCE RECOMMENDATIONS FOR SPORTS GROUND EQUIPMENT



It is the responsibility of the facility operator to provide equipment that is fit for purpose and maintained to the required standard.

Operators also have a responsibility to staff under the Health & Safety at Work Act to ensure that staff are properly trained to carry out the required tasks for which they are employed. It is the facility providers who could find themselves liable in the case of any accidents where staff are found not to be competent.

Assembly & Dismantling

- 1) When erecting equipment always use the instructions and recommendations provided by the manufacturer.
- 2) We remind you that the appropriate personal protective equipment (PPE) must be worn at all times. e.g. Hard hat, steel toe-cap boots, gloves etc.
- 3) When tall and/or heavy equipment is being erected it is recommended that scaffolding and/or heavy lifting equipment is used. A risk assessment should be carried out if necessary.
- 4) The correct tools for the job must be used at all times.
- 5) Assembly must be carried out by a sufficient number of competent persons.

Checking Equipment

Equipment should be checked on a regular basis. This requires positive action, and the information gathered must be recorded and acted upon immediately should any faults be found.

- 1) Check all equipment a minimum of once every week - but always before any game or training activity.
- 2) Carry out a thorough visual check of the whole goal.
Check that all fixings are secure and there are no loose or missing nuts, bolts, pins or other fixings.
- 3) If nuts, bolts, pins or other fixings are loose or missing it is not possible to assemble the equipment correctly. It is therefore vital that missing parts are purchased from the manufacturer to ensure compatibility.
- 4) If parts of the goal are bent or other damage is present there may be more damage internally which is not visible and could result in the goal collapsing or tipping. The goal should be taken out of action and removed from site.
- 5) Check that all pivot points are in good condition and lubricated with grease.
- 6) Any chips or scratches must be treated to prevent corrosion occurring at these points.
- 7) Check all anchoring attachments and anchoring points.
- 8) Should weight-type anchors be used, check there are the correct number for the size of the goal.
- 9) If you find a fault - you must record the fault and not continue to use the goal. It must be correctly repaired or replaced with new equipment.
- 10) Do not modify goals by welding or by substituting with incorrect parts. If any part is missing or broken, obtain a replacement from the original manufacturer.
- 11) Wheel mechanisms should be complete and in full working order.
- 12) Inflatable tyres must be checked for punctures and be inflated to no more than maximum pressure marked on tyre.
- 13) Cellular or solid type wheels are the preferred option as little maintenance is required.

Checking Netting

- 1) Check for missing or broken net fixings as these may allow a ball to pass between the edge of the net and goal frame, resulting in confusion over whether or not a goal has been scored.
- 2) The size of the mesh of the net has been chosen to reduce the risk of injury caused by entrapment. If there are broken cords the holes become larger than intended and require repair or replacement.
- 3) Any broken cord in the nets may be able to be repaired using the same cord used to manufacture the net.
- 4) Nets must be stored out of direct sunlight and away from rodents.

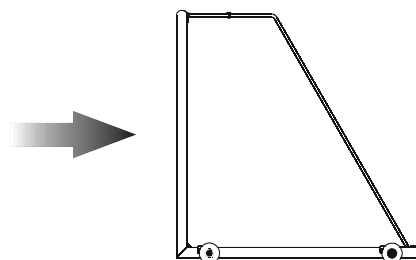
The Code Of Practice provided by BS 8461 gives guidance as to the type of check that should be carried out on football goals and how often they should be checked. Although this is football specific it is widely considered best practice for all sports.

Storage

- 1) Our recommendations regarding anchoring must still be adhered to when freestanding products are stored assembled.
- 2) If equipment has folding back supports it is recommended that the posts are stored flat on the ground. If they are required to be stored vertically, e.g. leant against a fence, they must be attached in such a way as to prevent them falling over.
- 3) When dismantled, parts must be stored safely & securely in order to prevent accidents in the storage area.

Moving

- 1) Great care must be taken in moving the product whilst it is still assembled.
- 2) If no transportation wheels are provided, equipment must be lifted by a sufficient number of competent persons as stated in the assembly instructions to prevent injury, or damage to the product.
- 3) Equipment should never be dragged across the ground. Moving equipment in this way is likely to cause damage to both the product and the surface, whether natural or synthetic. Equipment must be lifted clear of the ground when it is being moved.
- 4) If additional weights are fitted to the goal, they must be removed first before attempting to move the goal. Once the goal is in position, carry the weights to the goal and re-attach.
- 5) Where goals with specific folding mechanisms are used, care must be taken to fold in accordance with both the instructions and labels. Damage can often occur when mechanisms are not released in the correct manner. Always refer to labels and instructions.
- 6) Fence folding style goals, with socketed support posts, are designed to be manoeuvred simultaneously by two competent persons. Care must be taken whilst moving the goal to ensure the net does not become entangled.
- 7) Goals fitted with wheels should be moved by using 4 competent persons in each corner of the frame and in the correct manner as stated in the assembly instructions.
- 8) In the case of integrally weighted goals, 4 competent persons must be used as per standard wheeled goals, it is important to check that the flip up wheel is locked in place before attempting to move the goal.



Keeping Records

- 1) The safety of equipment is the responsibility both of the facility providers (who should provide safe goals, installed and maintained in a safe condition) and of the users (who should only use the equipment for its intended purpose).
- 2) Facility providers should be aware of operation and maintenance guidelines and keep records of all checks, installations and maintenance carried out.

Example 1 - Goal Record Sheet

Example 2 - Goal Inspection Sheet

GOAL RECORD SHEET



Goal Reference	Pitch 3 North End			
Date	Type of check	Findings	Action taken	Checked By
10th Dec	Weekly	Scratched Paint work on left hand upright	Painted over required area - Used Harrod UK White touch up paint	Harry Pitts
18th Dec	Weekly	All ok	None	Harry Pitts
2nd Jan 06	Full	Goal Passed Strength & Stability Test - No other problems	Full Goal Post Risk Assessment undertaken	Harry Pitts
10th Jan 06	Weekly	Goal Net has holes and broken meshes, some net hooks also missing	Purchased new net and clips and fitted to goal	Harry Pitts

Harrod UK Ltd, Pinbush Road, Lowestoft, Suffolk, NR33 7NL, England Tel: 01502 583515 Fax: 01502 582456 Email: sales@harrod.uk.com www.harrod.uk.com

GOAL INSPECTION SHEET

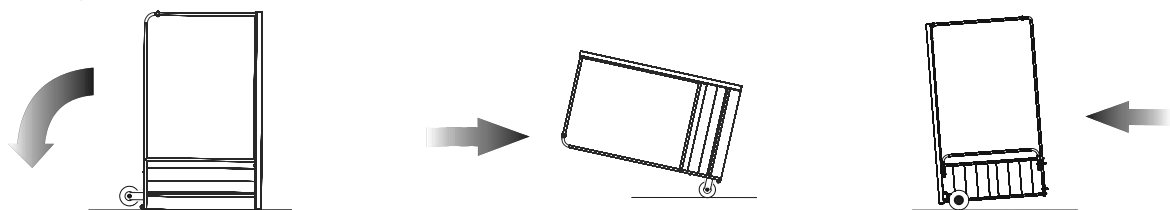


Site	Walmer Road	Pitch No.	3
Goal Reference	Pitch 3 North End	Type of Goal	Socketted Aluminium
Size of goal	7.32m x 2.44m	Stability Test Pass	Yes / No
Strength Test	Notes:	Start Height	mm
		Finish Height	mm
		Deflection Test	mm
		(more than 10mm is a fail)	Pass / Fail
Supplier or Manufacturer	Harrod UK Ltd	Date of manufacture	Feb 2005
Inspected By	Harry Pitts	Date of inspection	10th Jan 2006
Findings	Goal Net has holes and broken meshes, some net hooks also missing		
Action Taken	Purchased new net and clips and fitted to goal		
Contact details for spares and repairs	Harrod UK Ltd, Pinbush Road, Lowestoft, Suffolk, NR33 7NL Tel: 01502 583515, Fax: 01502 582456, Email: sales@harrod.uk.com		

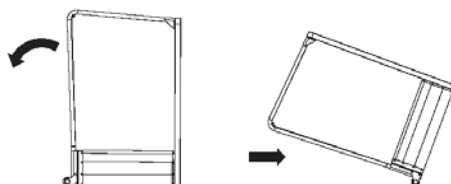
GUIDELINES FOR SPECIFIC SPORTS

Hockey

- 1) We strongly recommend that wheels are used to transport hockey goals, otherwise the goals should only be lifted with a minimum of four competent persons.
- 2) Only devices specified by the manufacturer must be used to manoeuvre goals.
- 3) Hockey Goals with rear fitted wheels must be tipped onto the wheels using four competent persons. There should be one person in each corner of the goal. The top rear support bars and side frames are integral parts of the goal for supporting the netting and are not to be used as the principle method for tipping the goal.
- 4) When using front flip-over type wheels, the lifting handles fitted to the goal are to be used when flipping the wheel into place. This requires two people per side (one to lift, one to flip).



- 5) In the case of Integrally weighted, 4 competent persons are required to move the goal. Standing directly behind the goal. Put one foot on the axle bar to stabilise the goal and at the same time pull the goal back together until the goal is in the position. Manoeuvre the goal into the desired location and carefully let the goal down, making sure that the goal is not dropped.
- 6.) Integrally weighted goals require a minimum pitch run off of 2 metres and must not be stored with the back of the goal against a surround fence or wall. To ensure the goal can be moved space must be available to allow the goal to be tipped up onto its roller.

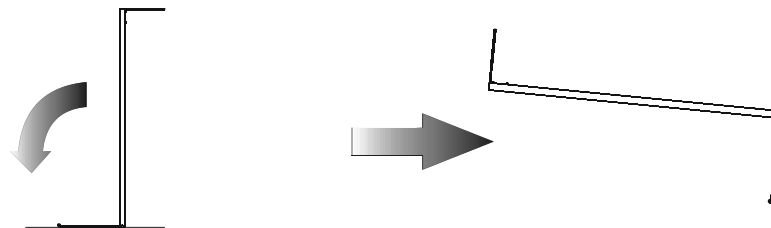


Tennis

- 1) Freestanding Tennis Posts should only be moved by means of transporter trolleys, unless the posts have been completely dismantled.
- 2) A minimum of 2 transporter trolleys must be used per set of posts.
- 3) Posts should not be stored on trolleys at any time.
- 4) Only use trolleys that were specifically made for transporting tennis posts.
Two competent persons are required to lift each end of posts onto the trolley. Use fixing bolts to secure posts on trolleys before attempting to move.
- 5) Care should be taken not to over tension the net as this can potentially cause each end of a freestanding tennis post to lift and render the posts unstable.
- 6) We recommend the net winder handle be removed if the posts are left unsupervised.

Netball

- 1) Freestanding posts must be laid down and stored in a secure covered location when not in use.
- 2) Freestanding posts must only be wheeled in a pushing motion from the top of the post.



Shelters

- 1) Aluminium team shelters are designed to be permanently fixed to an appropriate prepared surface.
- 2) Correct amount of fixings should be used dependent on the size of the shelter.
- 3) When moving shelters the correct number of competent persons are required (please refer to the Manual Handling guidelines).
- 4) Shelters should never be left unsecured.

Pitch Dividers

- 1) Pitch Divider Systems are designed to have wire as a permanent fixture and this should not be removed on a regular basis.
- 2) If wire is required to be taken down, release the pressure on the wire, detach from anchor post, coil and tie it off, then store the wire in pouch with the netting.
- 3) Pitch divider netting is retractable and should be stored in a storage pouch.
- 4) The netting must be retracted using a 'pull and draw' system. This is achieved by standing at the storage end of the system and by slowly pulling the net inwards until all the netting has been gathered. Do not walk with it from one end to another as this will cause the netting to become entangled and put excess stress on the clips used to suspend the netting.

Anchorage

Background : In the UK, standards for Goal posts and nets for a variety of sports are set by The Comité de Européan Normalisation which has been in existence since 1989. Other standards have also been set in more recent times by the BSI, specifically for junior, mini, small-sided football and Futsal. Harrod UK have been representatives on the CEN Committee since 1989, the F.A. Guidelines Committee in 2003 and the BS 8462/8461 Committee in 2005.

Purpose of CEN: To normalise and raise standards for goal posts throughout the European Community. A committee whose aim is to ensure all equipment is manufactured to the highest standard, and to create awareness of the highest level of responsibility bestowed upon the authorities responsible for the equipment and its use.

Implications : Providers of sports equipment have a responsibility to supply equipment that is fit for purpose and above all safe to use at all times. Equipment that conforms to BSEN and BS standards has to be independently tested for both 'strength' and 'stability' by a registered testing house and manufacturers are obliged to produce copies of these certificates on demand.



☒ Senior Integrally Weighted Goal

At Harrod UK we have long since identified the need for 'bullet proof' goals and have developed a unique range of integrally-weighted goals. These goals are safe to use at all times, require no further anchorage and have been widely acknowledged at the SAPCA and Sports College Conferences as the safest metal goal available in the market place today. The continuing F.A. campaign highlights the responsibilities of pitch providers to ensure they only use goals that conform, and we cannot emphasise strongly enough that end users have the ultimate accountability in this respect.

Official Goal Sizes

Type Of Goal	Internal Sizes (mm)	Appropriate Specification	Strength Test	Stability Test	Amount Of *ANC-005 Required
Senior (Full Size)	7320 x 2440	BS EN 748:2004	180 kg	110 kg	Qty 6 (per goal)
Youth Football	6440 x 2130	BS 8462:2005	180 kg	110 kg	Qty 6 (per goal)
Mini Soccer	3660 x 1830	BS 8462:2005	80 kg	70 kg	Qty 6 (per goal)
Small Sided	4880 x 1830	BS 8462:2005	80 kg	70 kg	Qty 6 (per goal)
Small Sided (Gross Mass of 18kg or more)	4880 x 1220 3660 x 1220 2440 x 1220	BS 8462:2005	80 kg	70 kg	Qty 4 (per goal)
Futsal	3000 x 2000 x 2000	BS 8462:2005	180 kg	110 kg	Qty 6 (per goal)
Hockey	3660 x 2130	BS EN 750	180 kg	110 kg	Qty 10 (per goal)

*ANC-005 This is a counterbalance type weight anchor used for anchoring freestanding goal posts

Anchorage: To achieve the above stability test, goals (in the case of socketed type) must be installed with the correct amount of concrete around the socket, or in the case of freestanding goals, be anchored in the correct manner. Full details of Harrod UK anchorage systems are available at www.harrod.uk.com