

Pack Contents:

Senior Gaelic Football Goal

1. 2 x R/H Bottom Uprights
2. 2 x L/H Bottom Uprights
3. 2 x Crossbar
4. 4 x Top Upright
5. 1 x Net Support Tube (pack 4)
6. 4 x Ground Socket

Fittings Pack

- (FEQ638) 7. 4 x Net Support Bracket
- (FEQ637) 8. 8 x M10 Washer
- (FEQ636) 9. 8 x M10 Hex Bolt
- (FEQ732) 10. 8 x M8 Nylock BZP Nut
- (FEQ639) 11. 8 x M10 C/S Set Screw
- (WEQ735) 12. 8 x M8 Hex Bolt
13. Net Hooks

(FPK632)

- (PLT091)
- (BOL709)
- (BOL306)
- (BOL402)
- (BOL334)
- (BOL509)
- (FBL-222)

Optional Plastic Net Clip

(FBL-225)

PLEASE READ ALL OF THE INSTRUCTIONS BEFORE YOU BEGIN TO ASSEMBLE YOUR GOAL.

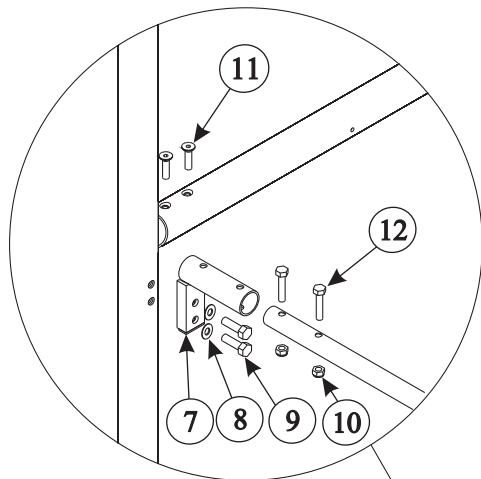


Fig.1

Important:- The socket must be set 50mm below ground level. This is to protect lawn mower blades and must be done to ensure that the crossbar height meets regulations.

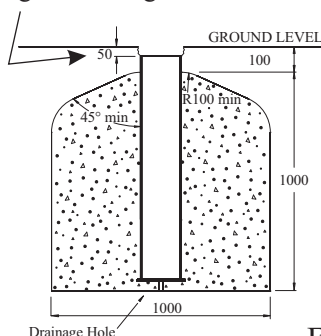


Fig.2

View of Product

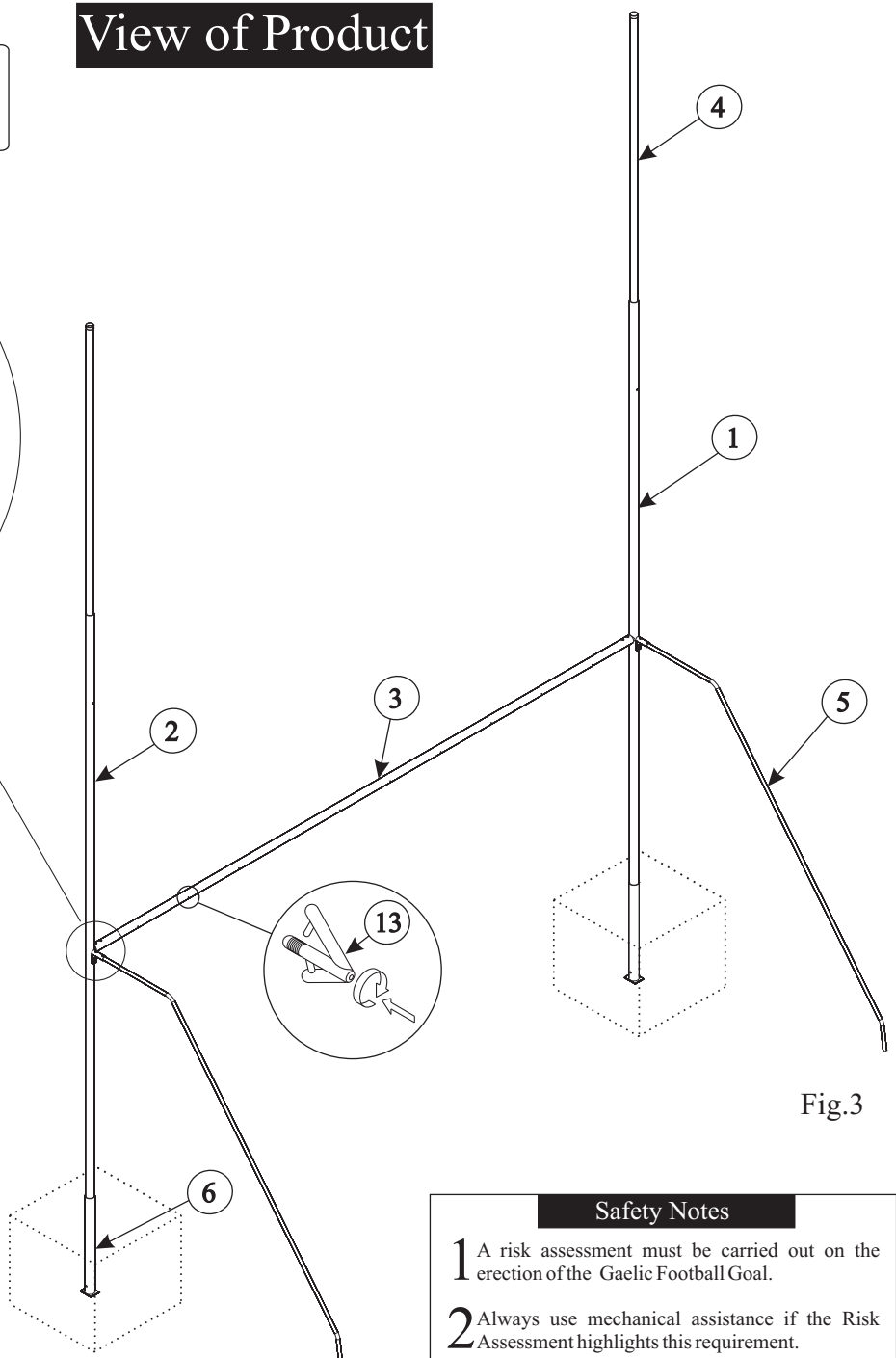


Fig.3

Safety Notes

- 1 A risk assessment must be carried out on the erection of the Gaelic Football Goal.
- 2 Always use mechanical assistance if the Risk Assessment highlights this requirement.
- 3 Always check fasteners before use and tighten where necessary.

Assembly Instructions

1 Concrete the sockets (6) in place at centres given in Fig 4. Place the socket top 50mm below ground level, and finish the concrete 100mm below ground level to allow for soil and turf, as shown in Fig 2. Use the diagram below for correct socket placement. Use spirit level to make sure that the sockets are truly vertical and support until set. Allow concrete to cure fully before assembling the rest of your goal.

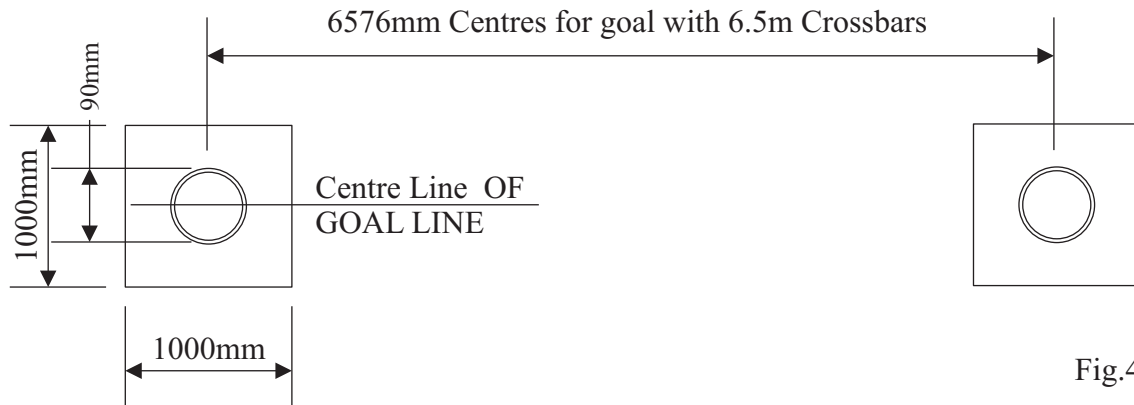


Fig.4

2 Lay the Crossbar (3) and the Bottom Uprights (1,2) on the ground making sure that you have the spigots facing in and the bolt holes for the net support bracket facing up. This will ensure that the correct uprights are in place. Insert the Crossbar onto the spigots on the uprights and secure using Bolt (11). Then attach Net Support Bracket (7) to the Uprights as shown in Fig. 1. Whilst the goal is on the floor screw the net hooks (13) into the crossbar.

Insert the Top Upright (4) sections into the Bottom Uprights making sure that the Plastic Caps (13) are fitted.

3 When the concrete has cured, lift the goal posts into the sockets, making sure that the Net Support Bracket is at the back of the goal. Refer to safety note before attempting to insert the goal into the sockets.

4 Once the goals are erected, insert Net Support Tube (5) into its bracket. Before attaching, mark the ground where the Net Support Tube rests. A small hole needs to be created at this marked point in order for the Net Support Tube to be inserted. This hole needs to be 270mm deep, angled into the ground at around 7.5 degrees. Shown in Fig. 5. Once hole is created place Net Support Tube into the hole and attach to bracket as shown in Fig. 1.

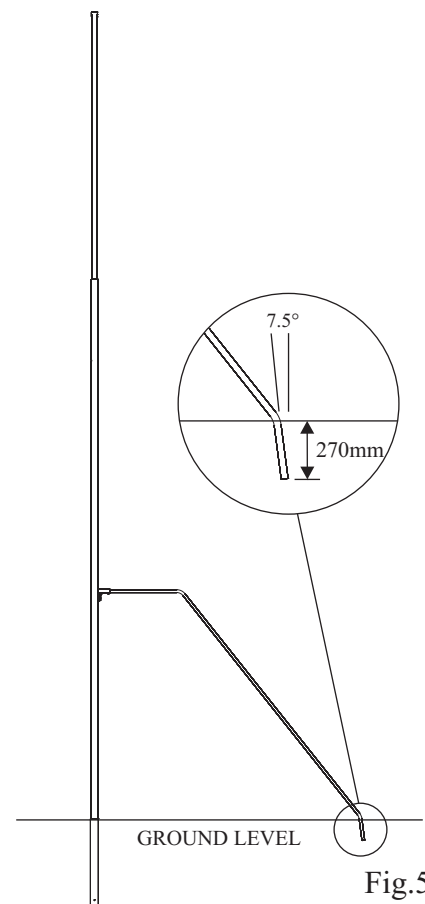


Fig.5

Fitting The Net. The goal is now assembled, attach the net to the Net Hooks on the Crossbar, then using the optional Plastic Net Clip or Ties secure the net to the uprights.