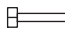

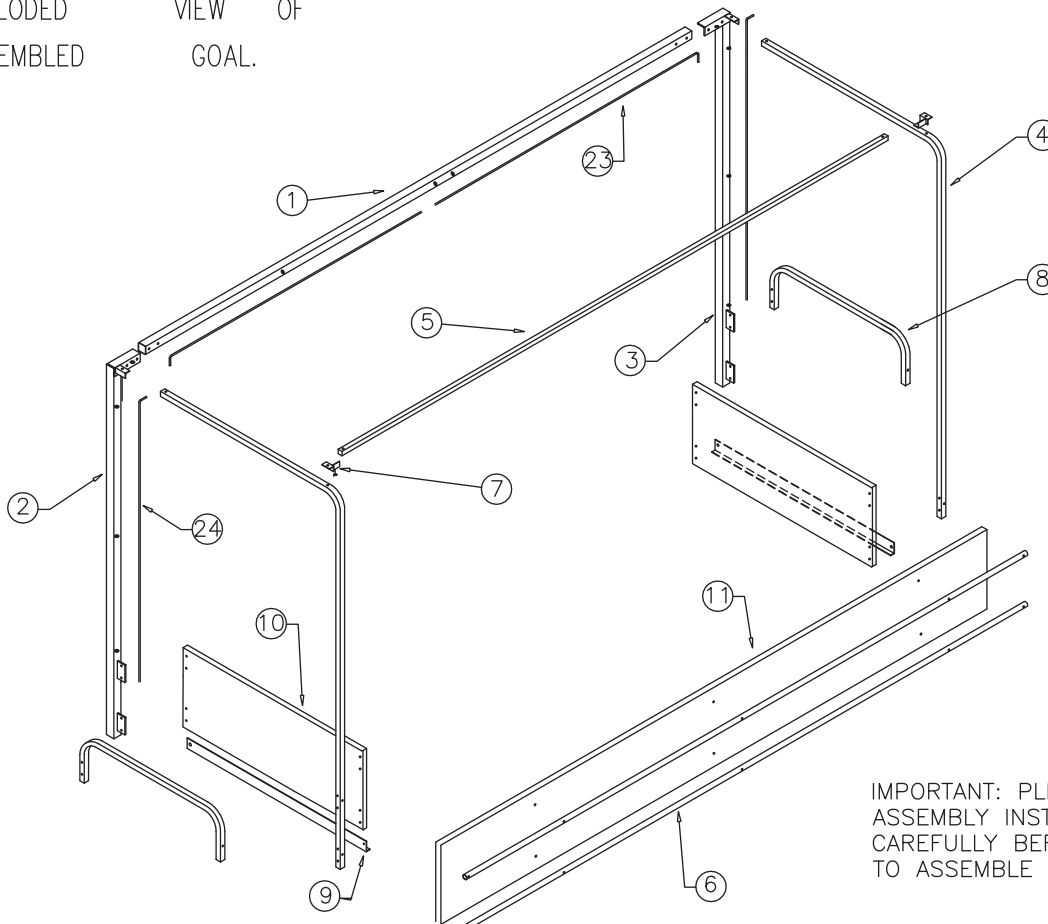


PACK CONTENTS

①	CROSSBAR x 2	(PEQ470)	⑬	M8 (40) HEX BOLT x 12		(BOL520)
②	LH POST x 2	(PEQ451)	⑭	M8 (55) HEX BOLT x 4		(BOL503)
③	RH POST x 2	(PEQ452)	⑮	M8 (80) HEX BOLT x 4		(BOL470)
④	REAR BRACE x 4	(SPE236)	⑯	M8 (40) COACH BOLT x 8		(BOL521)
⑤	BACK TUBE x 2	(SPE233)	⑰	M8 (55) COACH BOLT x 16		(BOL502)
⑥	BACKBOARD SUPPORT TUBE x 4	(SPE376)	⑱	M8 (60) COACH BOLT x 8		(BOL501)
⑦	REAR ANGLE BRACKETS x 4	(PLT128)	⑲	M8 (50) COACH BOLT x 12		(BOL511)
⑧	LIFTING HANDLES x 4	(SPE237)	⑳	M10 NUT x 8		(BOL202)
⑨	SIDE ANGLE x 4	(PEQ455)	㉑	M8 NUT x 64		(BOL402)
⑩	SIDE BOARD x 4	(WPP227)	㉒	HOCKEY NET x 2 (Sold separately)		(HOC-003)
⑪	BACKBOARD x 2	(WPP226)	㉓	CROSSBAR NET RETAINER x 4		(APP307)
⑫	M10 (70) CSK HD BOLT x 8		㉔	POST NET RETAINER x 4		(APP308)

EXPLODED VIEW OF ASSEMBLED GOAL.

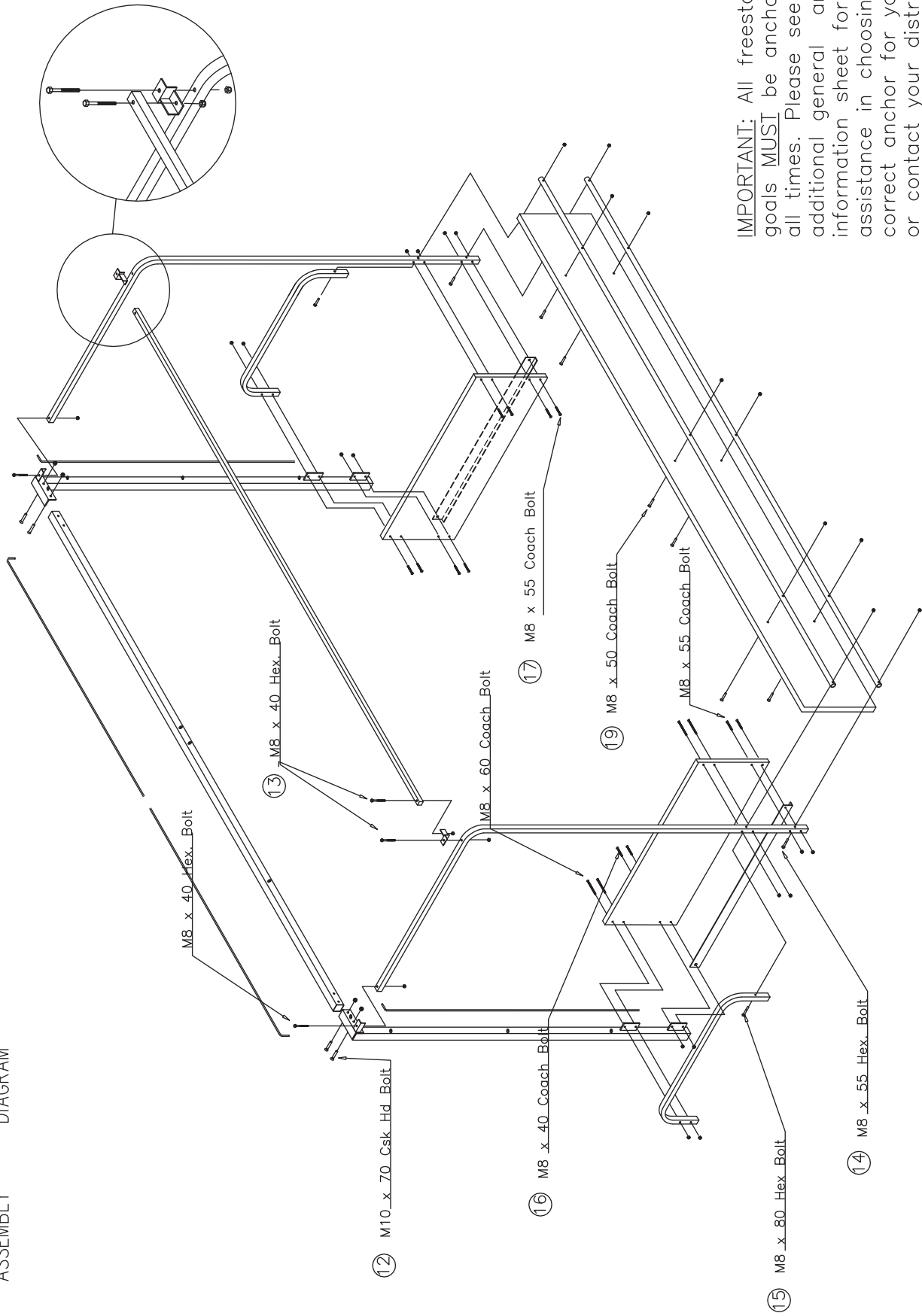


IMPORTANT: PLEASE READ THE ASSEMBLY INSTRUCTIONS CAREFULLY BEFORE STARTING TO ASSEMBLE YOUR GOAL.

Code: HOC-016

Product: Premier Freestanding Hockey Goals

ASSEMBLY DIAGRAM



**IMPORTANT:** All freestanding goals **MUST** be anchored at all times. Please see additional general anchor information sheet for assistance in choosing the correct anchor for your goal, or contact your distributor for further advise

**Code:** HOC-016

**Product:** Premier Freestanding Hockey Goals

## ASSEMBLY INSTRUCTIONS

### SUGGESTED REQUIREMENTS:

- Flat head screw driver
- Scissors (unpacking)
- 13mm (M8) spanner x 2
- 17mm (M10) spanner
- TWO PEOPLE.
- 19mm Spanner

### PLEASE NOTE:

The assembly diagram enclosed shows in detail how your Premier Goal fits together. The bolts required for each fixing are also shown on this diagram. The following steps are a 'suggested' order in which to assemble your Premier Hockey Goal.

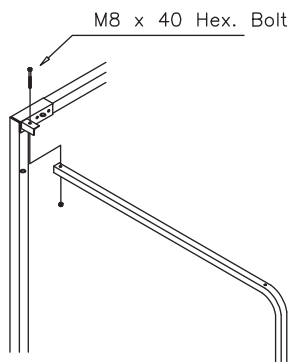
#### 1. ASSEMBLE THE MAIN FRAME.

Lay out the two posts and crossbar face down. Insert bolts as shown and loosely fit nuts. Whilst one person supports the frame the other can tighten the nuts, securing the main frame.



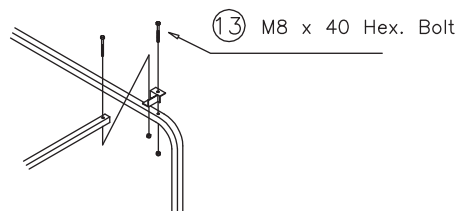
#### 2. FIT REAR BRACE (X2).

Whilst one person supports the rear brace the other can secure it to the post angle as shown.



#### 3. FIT THE BACK TUBE.

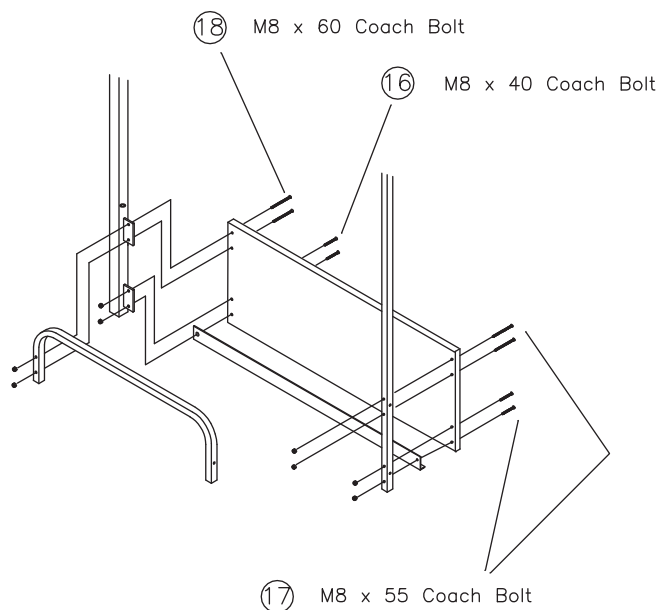
Attach the angle brackets to the rear brace. Once in place the back tube is fitted between the angle brackets as shown. Again this is best completed with one person holding the tube and another securing the ends.



#### 4. ATTACHING SIDE BOARDS.

Check everything fitted so far is securely tightened. Stand the goal upright. Using relevant bolts fix, in turn, the side boards, side angles and lifting handles to the frame as shown. Push all the bolts through and loosely attach the nuts. Once all the bolts are in place, tighten nuts securing the board.

NOTE: The side board has smaller hole centres at the post end.



Code:

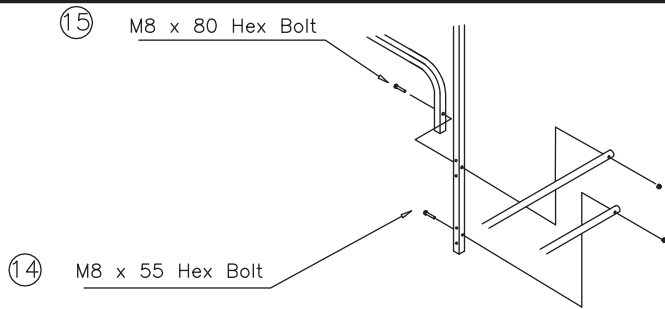
HOC-016

Product:

Premier Freestanding Hockey Goals

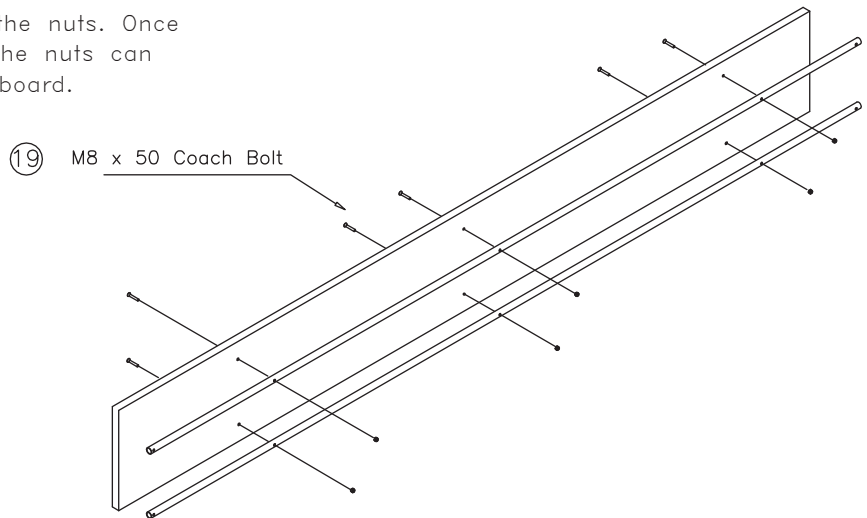
5. ATTACH BACKBOARD TUBES.

Fit top backboard tube using single lifting handle bolt as shown (step four). Again loosely fit both nuts before tightening. Repeat for bottom tube using specified bolts.



6. ATTACHING BACKBOARD.

Stand the board inside the goal against the back tubes. Make sure the board is the right way up (the holes line up, and no gap at the bottom). Insert all the bolts, again loosely fitting the nuts. Once all the bolts are in place the nuts can be tightened, securing the board.



CHECK ALL FASTENERS ARE FULLY TIGHTENED.



**Before Fitting the Net** - Make sure two or more people stretch the Net out into shape as much as possible. Due to the stiffness of the material, it may seem to be too tight. By stretching the Net into it's Box shape will allow easier assembly.

7. FITTING THE NET

Pull it over the goal ensuring that the front edge is on the crossbar and the two top seams sit on top of the rear braces. Remove the net retaining bars from the goal, then replace them, threading each one through the relevant edge of the net.

PREMIER HOCKEY NET:

