

Pack Contents

TOOLS REQUIRED

2 x 17mm Spanners
1 x Spirit Level
11mm drill bit.

IMPORTANT Please read through the instructions before assembling your shelter. Wear safety glasses when drilling shelter or cutting fence.

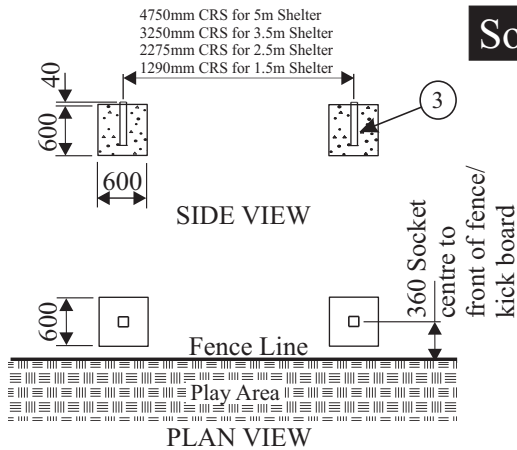
1. 1 x L/H Anchor Arm (including Fittings) (FEP139)
2. 1 x R/H Anchor Arm (including Fittings) (FEP138)
3. 2 x 3mm Backing Plate (packed with Anchor Arms) (PEP140)
4. 1 x Support Post (FEQ331)
5. 2 x Socket (FBL-291)

2 x Anchor Fittings Pack (packed with Anchor Arms) (FPK029)

Each Pack Contains:

6. 10 x M10 S/S Washer (BOL709)
7. 7 x M10 Nylock Nut (BOL202)
8. 2 x M10 'U' Bolt (SEP497)
9. 3 x M10x35mm Hex Bolt (BOL328)

Socket Installation



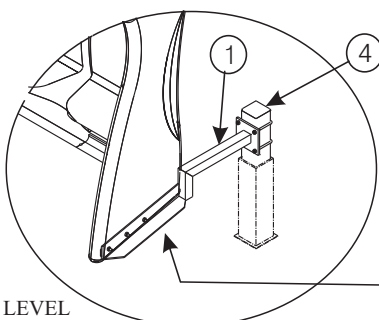
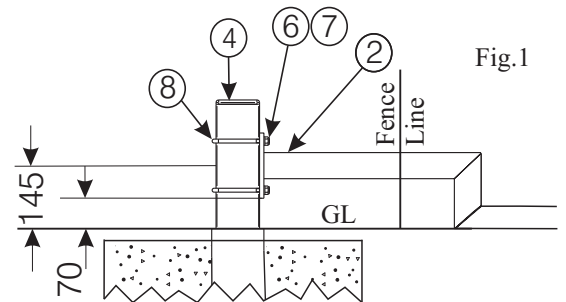
Dig holes 600x600 square x 600mm deep at centres shown in Fig 1. Position the sockets 360mm centrally back from the front (court side) of the fence/kick board. Concrete the sockets in leaving approx 40mm from top of concrete to ground level (for turf). Use a spirit level to make sure that the sockets are truly vertical and support until set. Replace the turf extracted when the concrete has cured (allow the concrete to set before assembling the rest of the goal).

View of Shelter with Anchors

1 Measure 145mm from ground level for the centres of the anchor arms. Cut a square 90x90mm in the fence/kickboard at these points.

2 Insert the support posts into the sockets and attach the arms to the post using the 'U' Bolts, washers and nylock nuts, whilst lining the angles with the sides of the shelter.

3 Once the arms are fixed, drill through the side of the shelter, using the holes in the angle as guides. Secure these with an M10x35mm bolt, position the backing plate on the inside of the shelter, fix with a washer and a nyloc nut.



DASHED LINE =
BELOW GROUND LEVEL

Drill holes and insert bolts here. Backing plate (part 3) is fixed on the inside.

