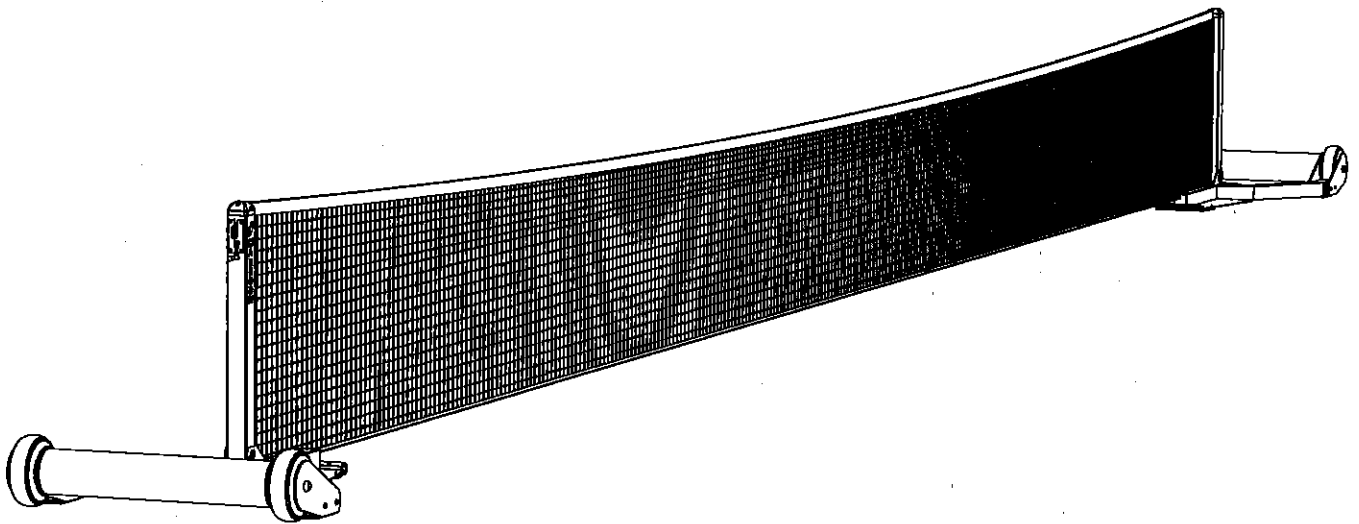


TEN-170


Weighted Wheelaway Tennis




*net sold separately



2 people are recommended for this assembly
Estimated 45 minutes assembly time

 **WARNING:** This product is **very heavy**. When assembling your posts, always wear appropriate protective equipment and footwear

 **IMPORTANT:** Please read these assembly instructions carefully before starting to assemble your tennis posts

Code TEN-170

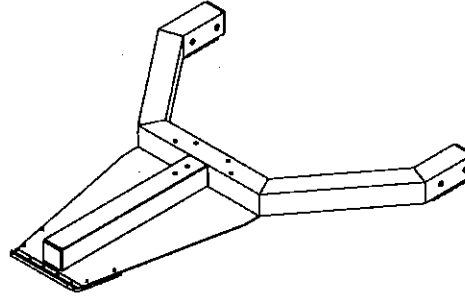
Product Weighted Wheelaway Tennis



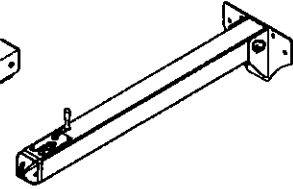
Pack Contents

Weighted Wheelaway Tennis

1. Weighted Wheelaway Base
2. Winder Post
3. Dummy Post
4. R/H Inner Wheel Bracket
5. L/H Inner Wheel Bracket
6. Back Tube
7. Axle Bar
8. Solid Ballast



1.
x2
PEP719 (FEP719)

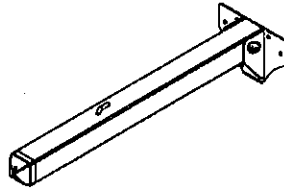


2.
x1
PEP745 (FEP745)

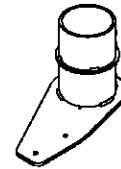
Optional Extras

TEN-155 3mm Weighted Tennis Net

TEN-171 Weighted Tennis Base Protector



3.
x1
PEP749 (FEP745)



4.
x2
PEP744 (FEP743)

Tools Required



1x Ratchet Handle
(17mm Socket)



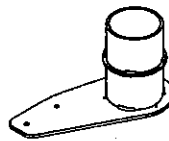
1x 6mm Allen Key (supplied)



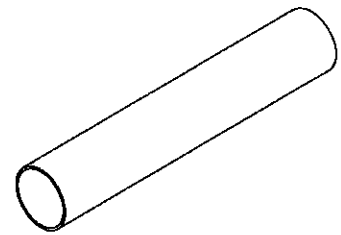
1x 5mm Allen Key (supplied)



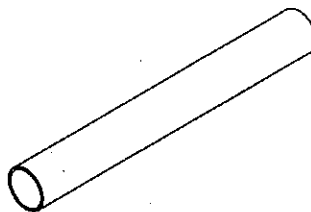
1x 4mm Allen Key (supplied)



5.
x2
PEP743 (FEP743)



6.
x2
PEP763 (FEP763)



7.
x2
FEP777

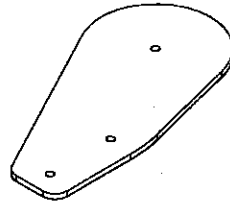


8.
x6
FEP806

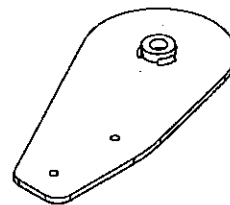
Fittings Pack Contents

Fittings Pack

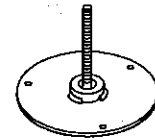
- 9. L/H Outer Wheel Plate
- 10. R/H Outer Wheel Plate
- 11. Wheel Axle
- 12. Spacer Plate
- 13. Wheel



9.
x2
PEP733



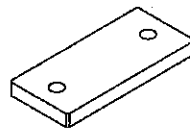
10.
x2
PEP734



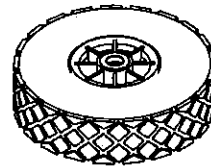
11.
x4
PEP755

Bolt Fittings Pack

- 14. M10 Nyloc Nut
- 15. M10x50mm Screw
- 16. M8x30mm Screw
- 17. M6x25mm Bolt
- 18. M10 Cap
- 19. M10 Cap Base
- 20. Post Hook
- 21. Axle Tube
- 22. 4mm Allen Key
- 23. 5mm Allen Key
- 24. 6mm Allen Key



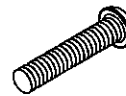
12.
x8
PEP801



13.
x4
WHE051



14.
x4
BOL202



15.
x16
BOL308



16.
x12
BOL529

Extras

- 24. Weighted Tennis Net
- 25. Weighted Tennis Base Pad

*parts are not to scale



IMPORTANT: Please quote part numbers when ordering replacement parts



17.
x12
BOL664



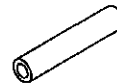
18.
x4
CAP090



19.
x4
CAP091



20.
x24
HKS029



21.
x4
PLT053



22.
x2
BOL793



23.
x2
BOL794

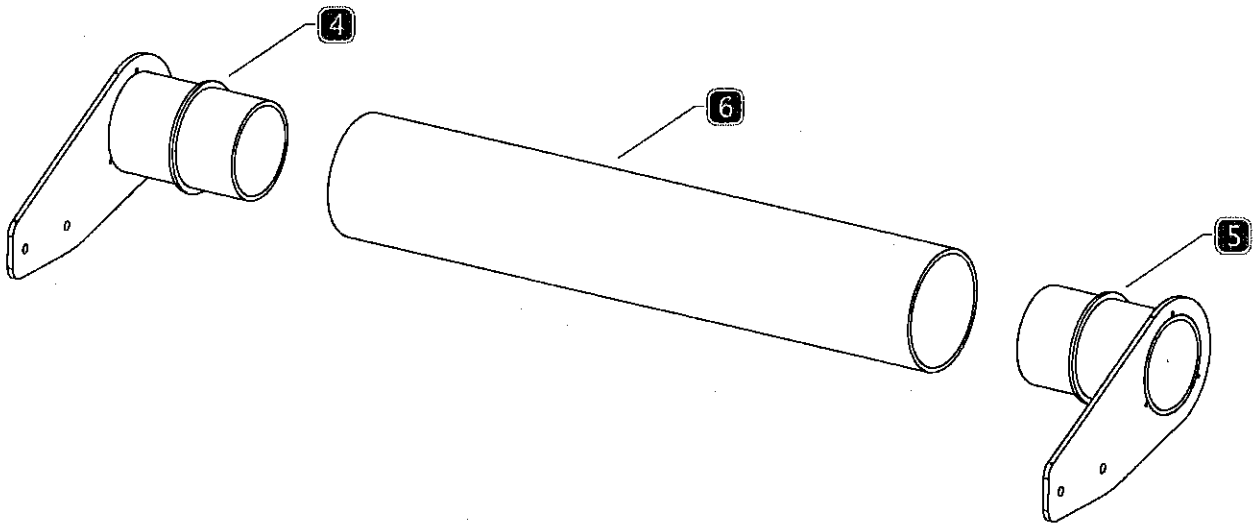



24.
x2
BOL791

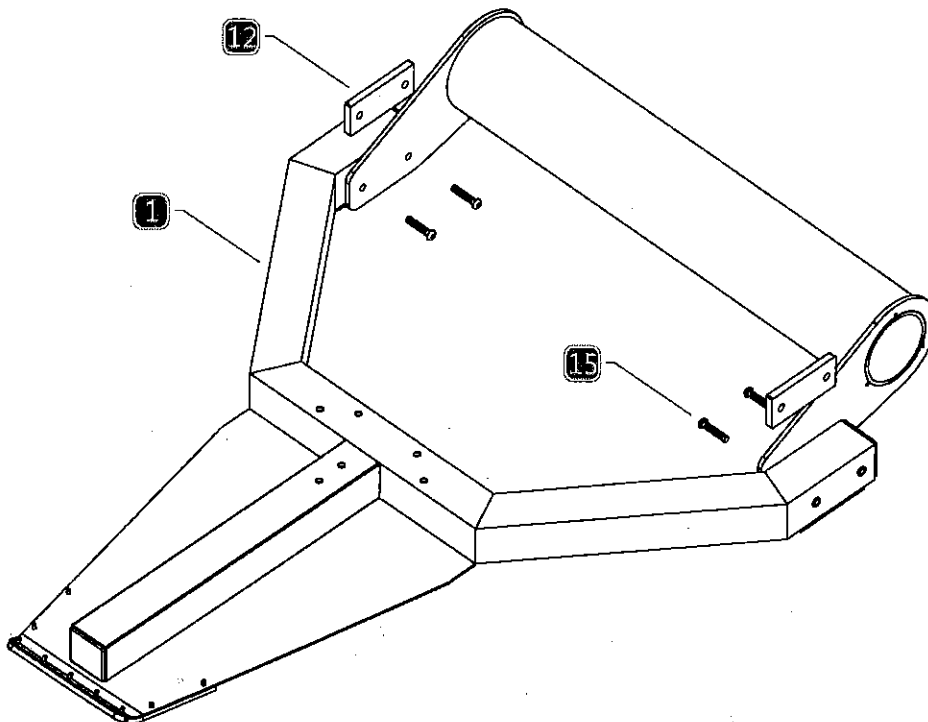
Assembly Instructions

i **IMPORTANT:** Posts can be assembled either individually or simultaneously

- 1** Slide the Inner Wheel Brackets (4/5) inside the Back Tube (6)



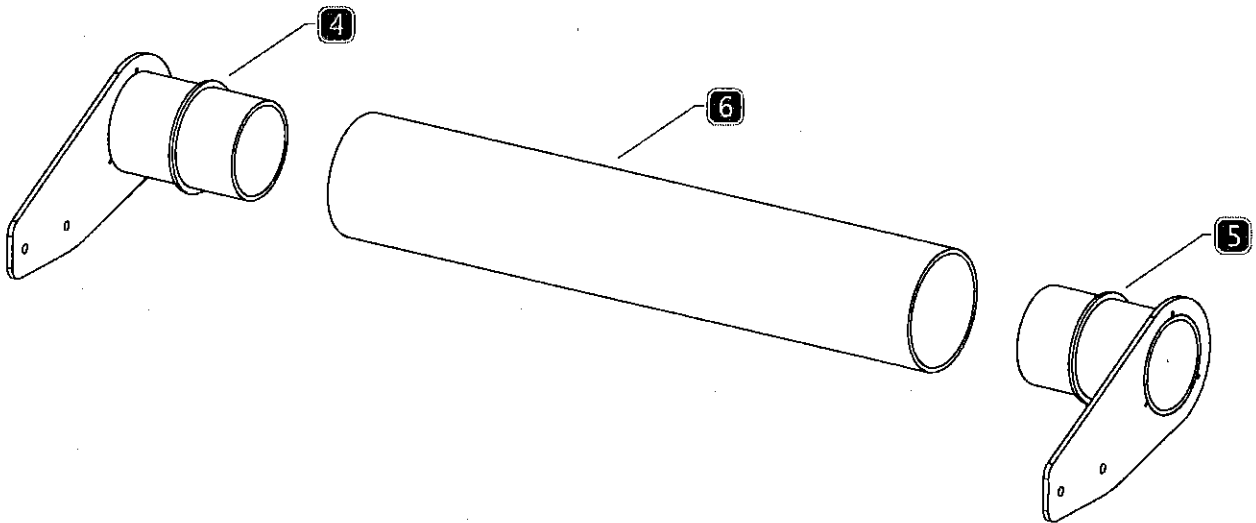
-  **2** Position a Spacer Plate (12) between the Inner Wheel Brackets and the Base (1) and secure with four M10x50mm Bolts (15)




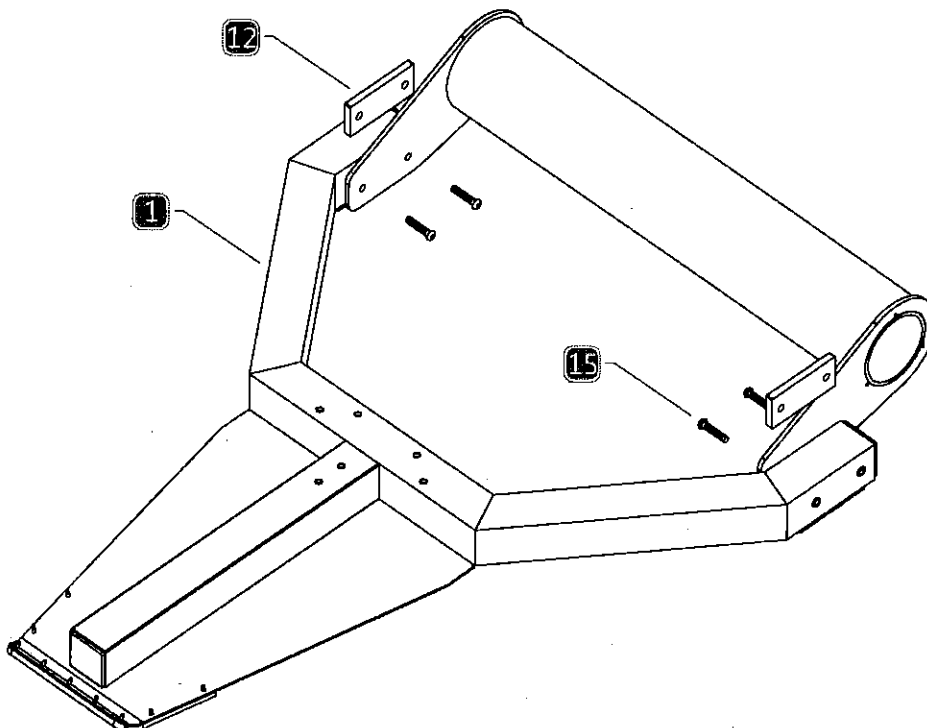
Assembly Instructions

i **IMPORTANT:** Posts can be assembled either individually or simultaneously

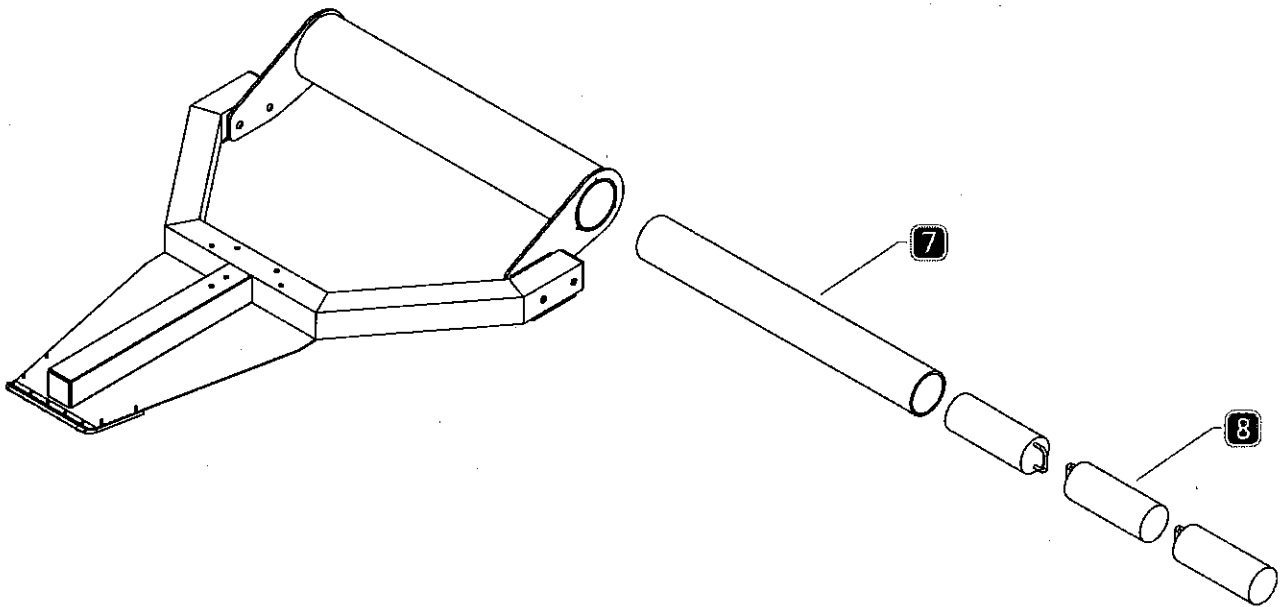
- 1** Slide the Inner Wheel Brackets (4/5) inside the Back Tube (6)




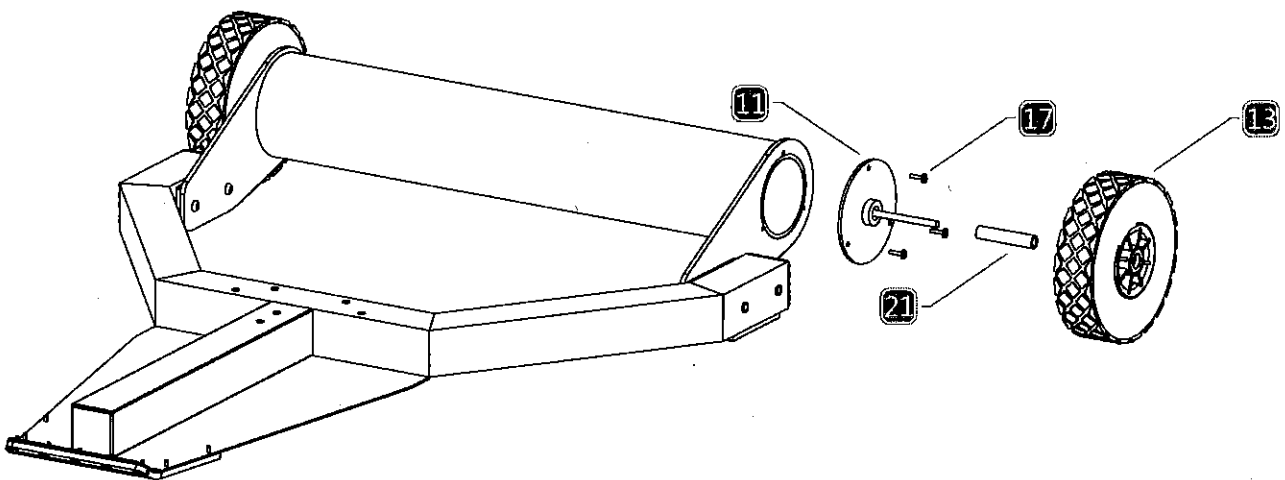
-  **2** Position a Spacer Plate (12) between the Inner Wheel Brackets and the Base (1) and secure with four M10x50mm Bolts (15)




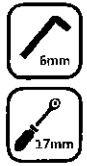
3 Slide the Axle Bar (7) through the Back Tube and insert three Solid Ballasts (8)



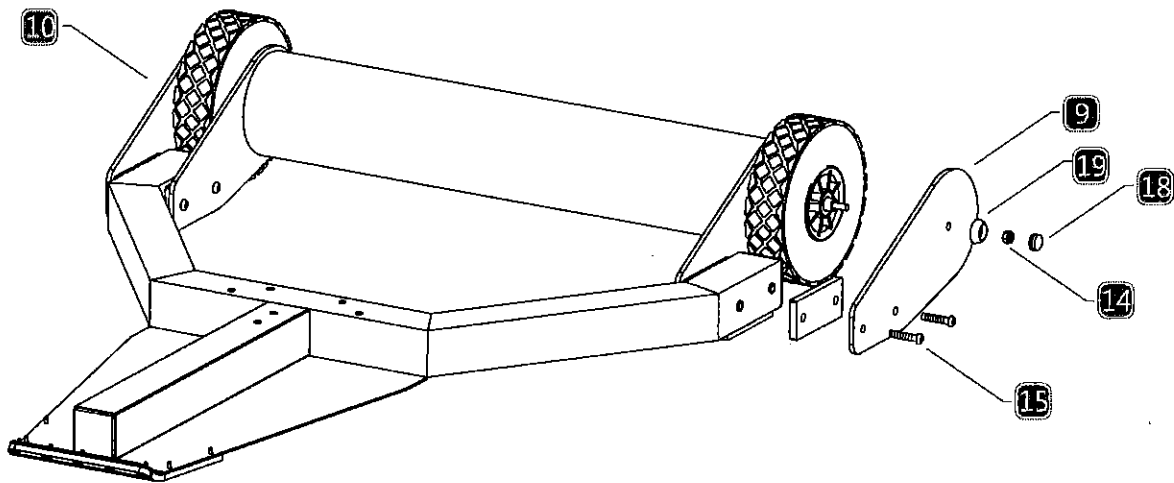
 4 Bolt the Wheel Axle (11) to the Inner Wheel Bracket using three M6x25mm Bolts (17). Slide an Axle Tube (21) and Wheel (13) over the Wheel Axle. Repeat for the opposite side



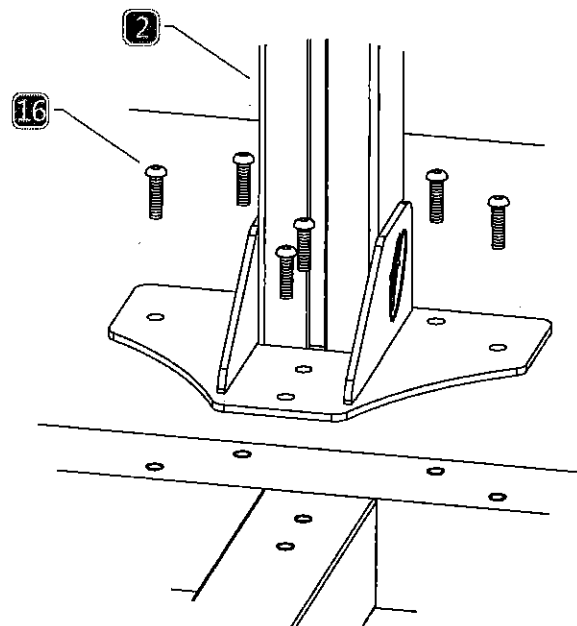
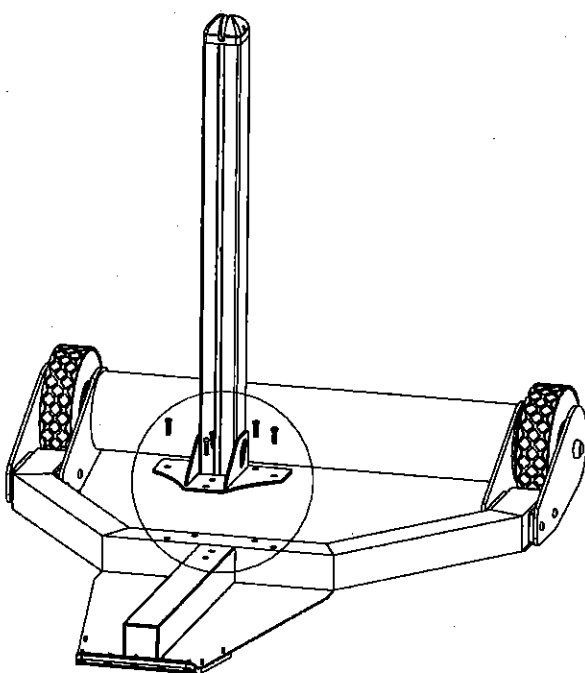
 **HINT:** Apply some weight to the front of the base to keep the rear axle in the air. This will make fitting the wheels easier.




5 Fit the Outer Wheel Plates (9/10) and secure with M10 Cap Base (19), M10 Nyloc Nut (14) and M10 Cap (18). Bolt the Plate to the Base using two M10x50mm Screws (15). Repeat for the opposite side



6 Attach the Winder and Dummy Posts (2/3) to the Bases using six M8x30mm Screws (16)

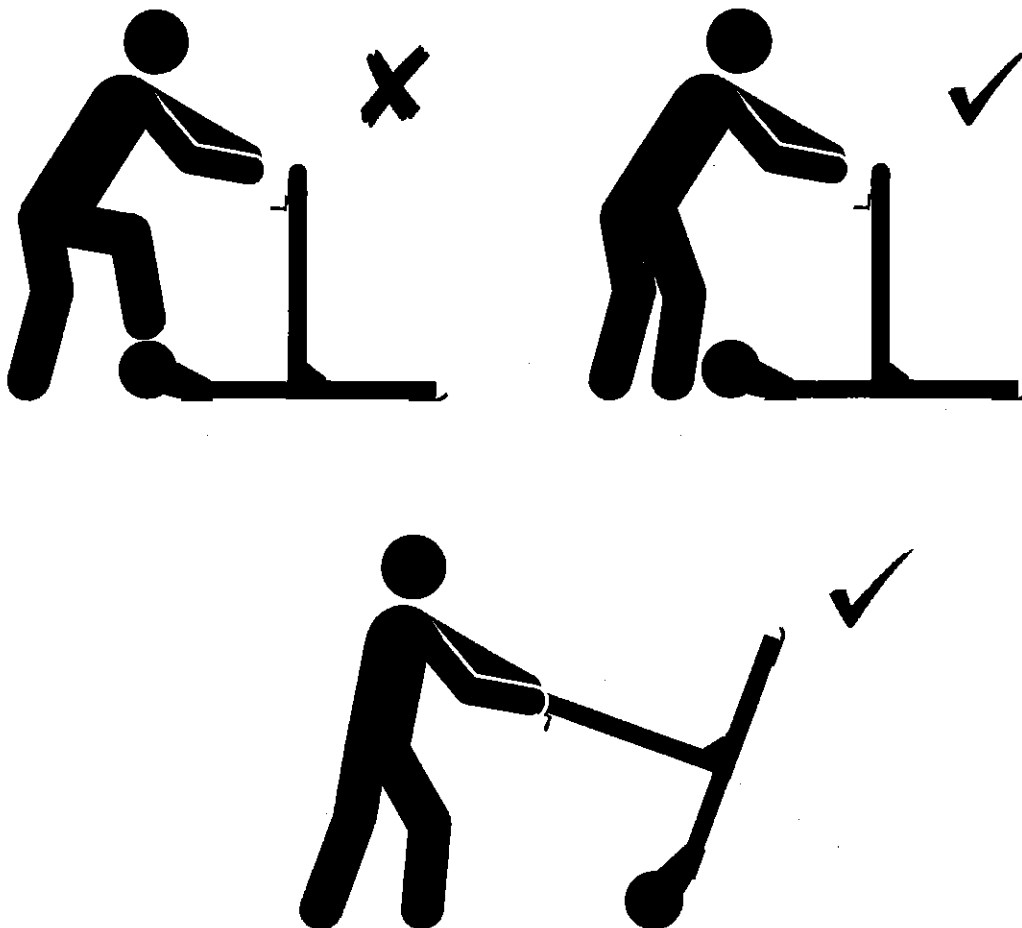



Manoeuvring Instructions

 **WARNING:** Do not stand on the rear axle. Doing so may cause damage to the product and/or playing surface

These posts **must** be moved by hand. Please follow these instructions when moving posts:

- Place foot **behind axle** to act as an anchor and tip back
- **Always** stand behind the posts and tilt towards you
- Keep to a **walking pace**

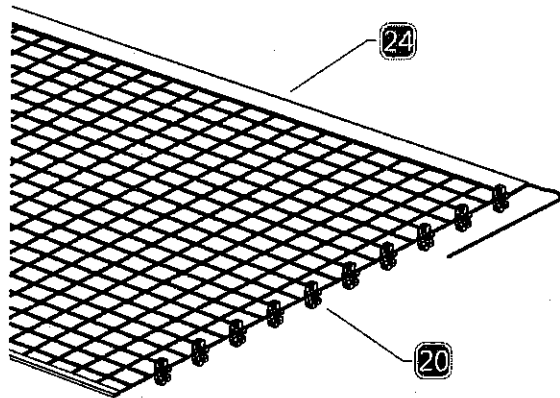


 **WARNING:** Harrod UK **does not** accept any liability for damage caused to playing surfaces through improper or inappropriate use of posts

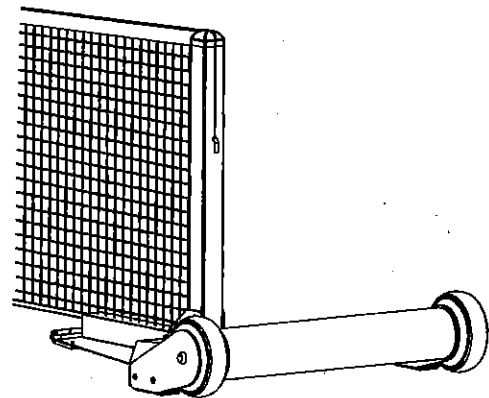
Net Instructions

i **IMPORTANT:** Always check the surface condition **before** play. Some surface types can become soft in hot weather conditions. If this occurs, play should be suspended and freestanding posts removed from the surface to avoid damage to the court. Always consult your pitch contractor for maintenance guidelines

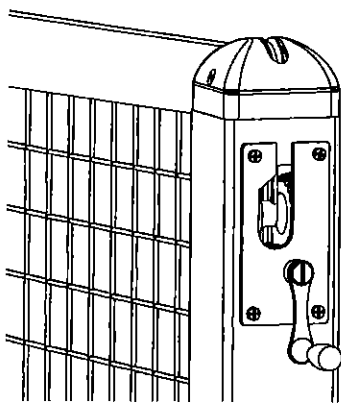
- 1** Attach Post Hooks (20) to every other mesh at each end of the Net (24)



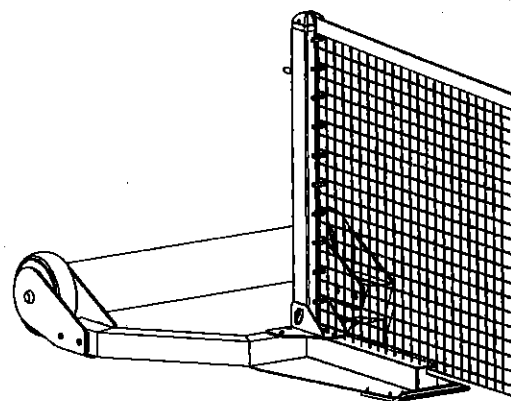
- 2** Place Posts 12.8m apart and hook the loop over the pin on the Dummy Post



- 3** Feed unlooped wire end through winder and into hole. Wind handle until headline has completed three rotations around spool



- 4** Push Net Hooks into the recess of both posts and turn to lock

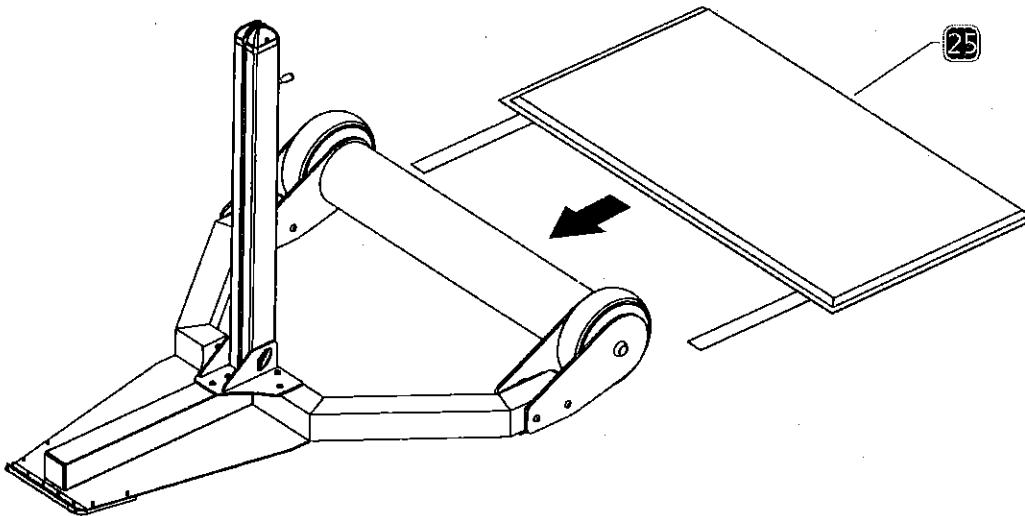


! **WARNING:** Never over tension the net and **always** loosen when not in use. Regulation height can always be achieved without over tensioning. Changes in temperature may cause the wire to contract and can result in damage to the posts, and in extreme circumstances, the surface. Please refer to label on the winder post for more information

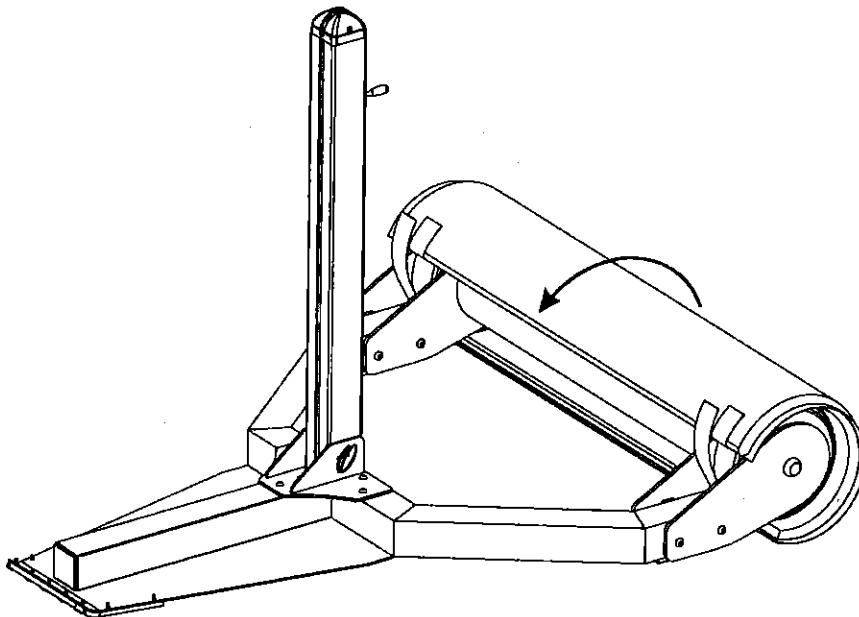
Base Pad Instructions

i **IMPORTANT:** Before assembling the pads, ensure the net is fully tensioned and the wheels are lifted off the ground

- 1** Slide the Weighted Tennis Pad (25) underneath the base, ensuring the Velcro® is aligned with the Wheels



- 2** Feed the Velcro® between the Wheels and Base and fix together



i **IMPORTANT:** Pads **must be removed** before moving the Posts. Failure to do so can cause damage to the Pads and/or the Posts.

Surface Care

Porous Macadam Surfaces

Please see below for the LTA's recommendations for play in hot weather:

"Play in Hot Weather

Caution should be applied when playing in hot weather as the courts may be susceptible to softening, especially in the first season after construction. Thereafter the tendency to soften should rapidly diminish. IF THE SURFACE SOFTENS STOP PLAY IMMEDIATELY because serious damage can result from continuing play. The first sign of the problem is usually when black marks begin to appear as a result of the paint being rubbed or scuffed off. It is sometimes possible to cool a hot surface by hosing it down with cold water to allow evening play to take place.

Softening is a phenomenon usually confined to the first season, but, even thereafter for a year or two, the surface should be checked if very hot weather is experienced.

Latex or other modified macadam's have been formulated to lift the temperature threshold at which the surface softens in hot weather, making it less susceptible to damage from play in hot weather."

Porous Macadam Tennis Courts, 2012. [online], 1. LTA.

This also applies to the use of other court equipment. During hot conditions, ensure the headline tension is removed completely to prevent any damage to the playing surface. Inspect the surface before each use and remove posts immediately if there are any signs that the posts are damaging the surface

Harrod UK **will not** accept any responsibility for court damage caused by use of the equipment in hot conditions

Always remove the headline tension when the product is not in use