

## Pack Contents

### SHE-300 - 2.4m Freestanding Team Bench

- |    |                                 |          |
|----|---------------------------------|----------|
| 1. | 3 x Team Bench Seat Support     | (PEQ367) |
| 2. | 1 x Team Bench Seat Frame       | (PEQ378) |
| 3. | 2 x 2.4m Team Bench Seat Slats  | (PLP630) |
| 4. | 1 x Team Bench Fittings Pack    | (FPK301) |
| 5. | 6 x M8x60 Skt Button Head Screw | (BOL497) |
| 6. | 6x M8 Nylock Nut BZP            | (BOL402) |

### Team Bench Fittings Pack (*contains*)

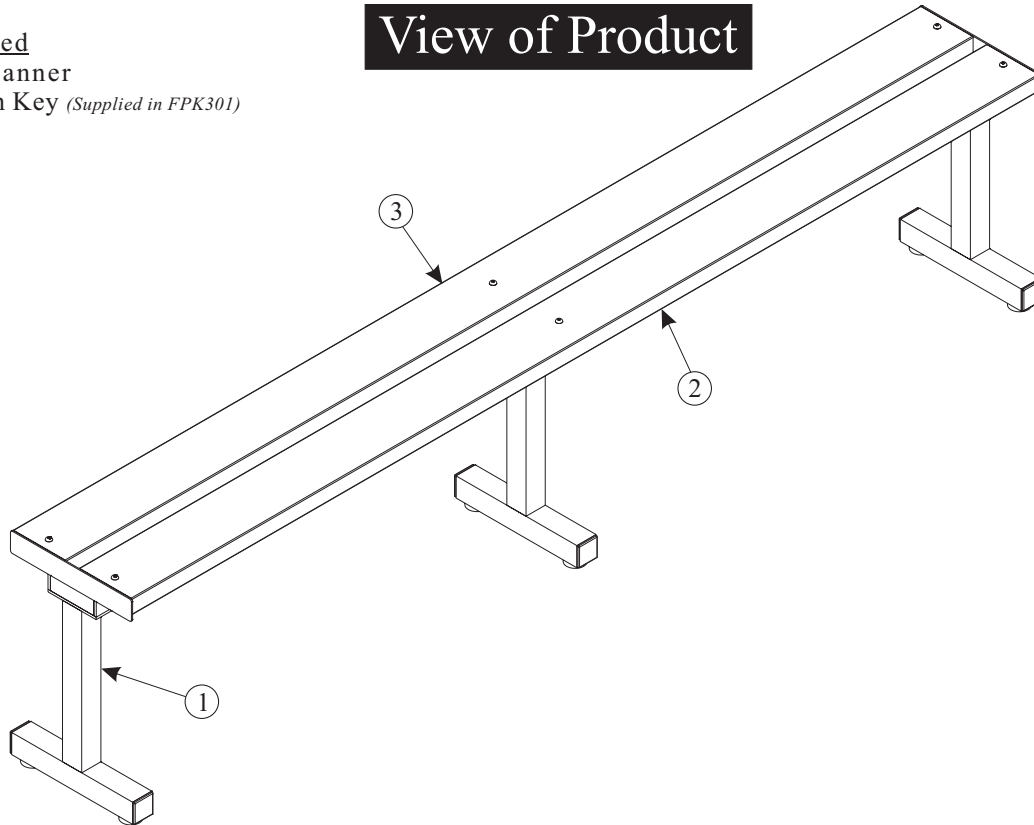
- |     |                           |          |
|-----|---------------------------|----------|
| 6.  | 6 x M8 Nylock Nut BZP     | (BOL402) |
| 7.  | 6 x M8x25mm Set Screw S/S | (BOL540) |
| 8.  | 12 x M8 Skiffy Washer     | (BOL722) |
| 9.  | 1 x 5mm Allen Key         | (BOL794) |
| 10. | 12 x M8 Nut Cap           | (CAP951) |

### Tools Required

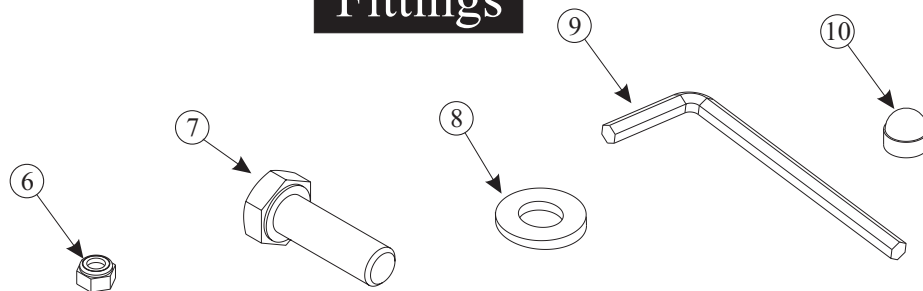
2x 13mm Spanner

1x 5mm Allen Key (*Supplied in FPK301*)

## View of Product



## Fittings



**IMPORTANT PLEASE READ THE ASSEMBLY INSTRUCTIONS CAREFULLY BEFORE STARTING TO ASSEMBLE YOUR SEATS**

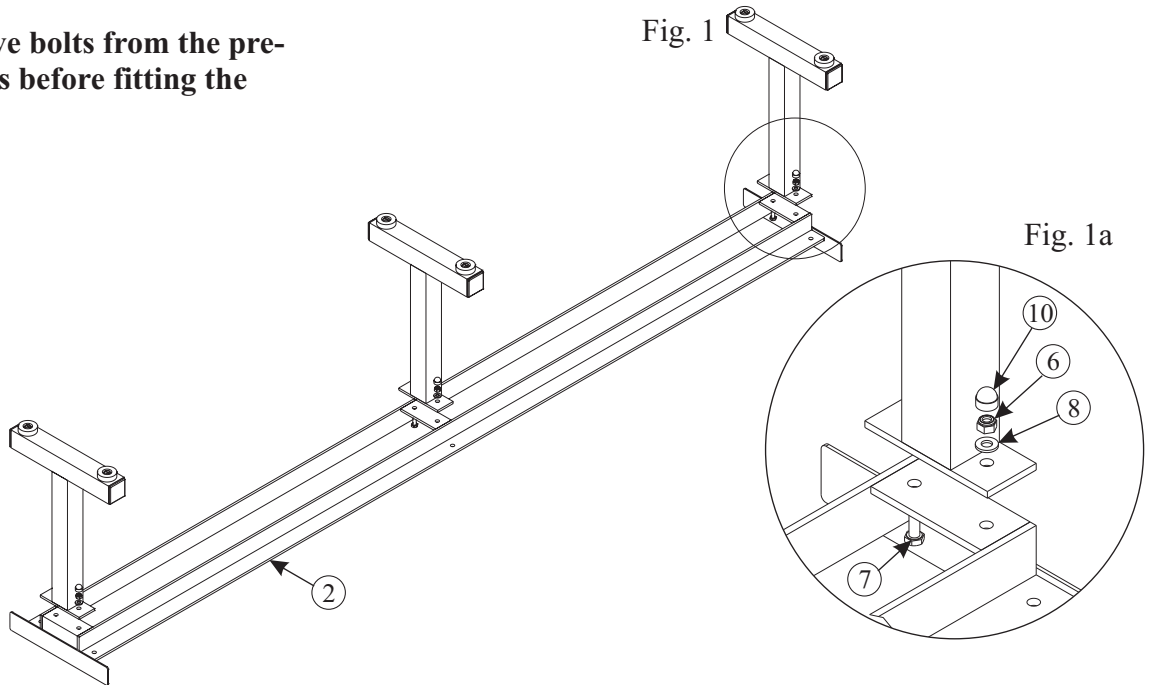
Code: SHE-300

Product: 2.4m Freestanding Team Bench

## Assembly Instructions

**1** Lay the Frame (2) upside down in order to attach the Seat Supports (1) as shown in Fig 1a. Secure with Two M8x25mm Set Screws S/S (7), Two M8 Skiffy Washers(8) and Two M8 Nyloc Nuts (6). Cover with the M8 Nut Cap (10)

**Please note: Remove bolts from the pre-assembled seat slats before fitting the supports.**



**2** Align the Seat Slats (3) with the corresponding holes in the Seat Support Frame (2) as shown in Figure 2a. Secure the slats in place using the fasteners that were supplied with the pre-fitted slats. Cover with the M8 Nut Cap (10)

