

Code: HOC-104/HOC-106

Product: Aluminum Heavy Duty Hockey Goal/Aluminium Heavy Duty Indoor Hockey Goal

INS579

Revision 17
22/09/2016

© Harrod UK Limited

Pack Contents:

PLEASE READ THROUGH ALL OF THESE INSTRUCTIONS BEFORE ASSEMBLING YOUR GOALS

HOC-104 MAIN FRAME PARTS

HOC-106 MAIN FRAME PARTS

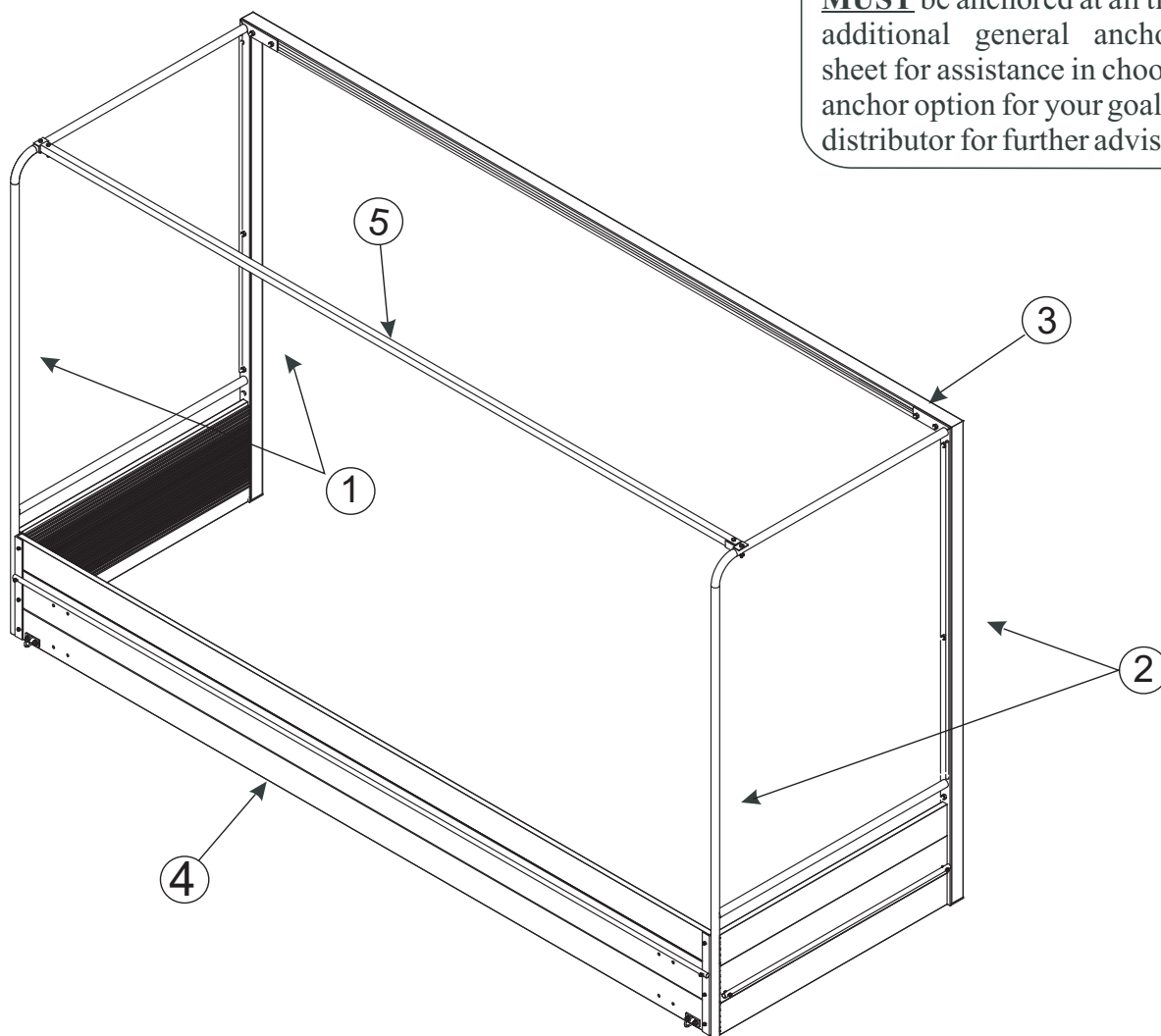
<p>2 x FEQ507 - COMPLETE SIDE FRAME ASSEMBLY CONSISTING OF FOLLOWING PARTS:</p> <p>1 1 x L/H SIDE FRAME (<i>fitted to upright</i>) (PEQ508) 1 x L/H UPRIGHTS (<i>fitted to side frame</i>) (PEQ506) 2 x UPRIGHT NET RODS (<i>fitted</i>) (SEP830)</p>	<p>2 x FEQ498 - COMPLETE SIDE FRAME ASSEMBLY CONSISTING OF FOLLOWING PARTS:</p> <p>1 1 x L/H SIDE FRAME (<i>fitted to upright</i>) (PEQ498) 1 x L/H UPRIGHTS (<i>fitted to side frame</i>) (PEQ391) 2 x UPRIGHT NET RODS (<i>fitted</i>) (SPE158)</p>
<p>2 x FEQ508 - COMPLETE SIDE FRAME ASSEMBLY CONSISTING OF FOLLOWING PARTS:</p> <p>2 1 x R/H SIDE FRAME (<i>fitted to upright</i>) (PEQ509) 1 x R/H UPRIGHT (<i>fitted to side frame</i>) (PEQ507) 2 x UPRIGHT NET RODS (<i>fitted</i>) (SEP830)</p>	<p>2 x FEQ497 - COMPLETE SIDE FRAME ASSEMBLY CONSISTING OF FOLLOWING PARTS:</p> <p>2 1 x R/H SIDE FRAME (<i>fitted to upright</i>) (PEQ497) 1 x R/H UPRIGHT (<i>fitted to side frame</i>) (PEQ392) 2 x UPRIGHT NET RODS (<i>fitted</i>) (SPE158)</p>
<p>3 2 x CROSSBAR (FEQ505)</p>	<p>3 2 x CROSSBAR (FEP067)</p>
<p>4 2 x BACKBOARDS (FEQ509)</p>	<p>4 2 x BACKBOARDS (FEQ501)</p>
<p>5 2 x BACK BAR (FEQ510) (PEQ499)</p>	<p>5 2 x BACK BAR (FEQ021) (PEQ021)</p>
<p>6 1 x NET RETAINING BARS (FEQ006)</p>	<p>6 1 x NET RETAINING BARS (FEQ007)</p>

 <p>10: 4 x BACKBAR BRACKET (PEQ457)</p>	 <p>11: 8 x P-CLIP (Fitted to Uprights) (CLP050)</p>	 <p>12: 8 x M10 NYLOC NUTS (BOL202)</p>	 <p>13: 8 x 25mm SQUARE HEAD BOLTS (BOL336)</p>	 <p>14: 8 x M8 NYLOCK NUTS (To fit upper back bar to frame) (BOL402)</p>
 <p>15: 8 x M8 x 50 HEX BOLTS (To fit upper back bar to frame) (BOL509)</p>	 <p>16: 24 x M6 NYLOC NUTS (BOL602)</p>	 <p>17: 12 x M6 HEX NUTS (BOL600)</p>	 <p>18: 12 x M6 x 40 PAN HEAD SCREWS (BOL607)</p>	 <p>19: 12 x M6 x 60 PAN HEAD SCREWS (BOL608)</p>
 <p>20: 8 x NYLON WASHERS (4 fitted 4 to fit crossbar and upright) (BOL721)</p>	 <p>21: 24 x M6 WASHER (BOL719)</p>	 <p>22: 8 x SKIFFY WASHER (BOL722)</p>	 <p>23: 4 x CORNER BRACKET (Supplied with side frame) (PLT129)</p>	 <p>24: 2 x EURO NET HOOK PACK (To be fitted to crossbar) (FBL-229)</p>
 <p>25: 8 x M10 HEX NUT BZP (BOL200)</p>	 <p>26: 8 x M10 x 50mm Coach Bolt S/Steel (BOL323)</p>	 <p>27: 8 x Spring Washer 10mm S/Steel (BOL713)</p>	 <p>28: 4 x Euro 96 Back Support Top Bracket (PLT102)</p>	

Please note: The side frames are fitted to the uprights for your assistance. Only the crossbar, backboard, back bar and net (Sold separately) require fitting. Many of the bolts and nuts have also been put in position and will just need to be loosened, the parts fitting together, re inserted and re-tightened . Two or more people are required to assemble this goal.

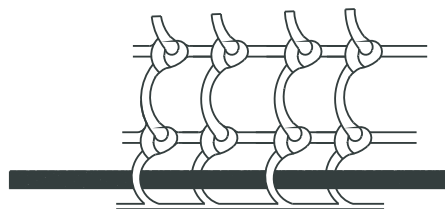
View of Product

IMPORTANT: All freestanding goals **MUST** be anchored at all times. Please see additional general anchor information sheet for assistance in choosing the correct anchor option for your goal or contact your distributor for further advise.



Tip

Before Fitting the Net - Make sure two or more people stretch the Net out into shape as much as possible. Due to the stiffness of the material, it may seem to be too tight. By stretching the Net into it's Box shape will allow easier assembly.



FITTING THE NET

- 1: To obtain the best fit, we recommend fitting the edge in the following order: Crossbar, Uprights, Side-Frames & Back Board.
- 2: Line up the crossbar label on the net and fix to the crossbar using the net hooks provided. Position the hooks approximately every 3 meshes.
- 3: Loosen the nuts holding the P-Clips and the rod remove the bar
- 4: While holding the edge of the net feed the rod and p-clips through the net using the over and under method , as shown in the diagram to the left. Once this has been achieved place the p-clip back onto the bolts and do up with the nuts taken off.
- 5: With back and side board retaining rods do the same method to hold the net in the required position.

Code:

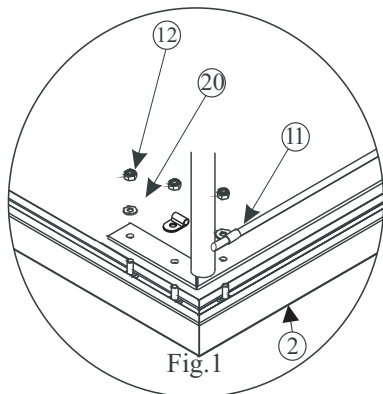
HOC-104/HOC-106

Product:

Alum Heavy Duty Hockey Goal/Alum Heavy Duty Indoor Hockey Goal

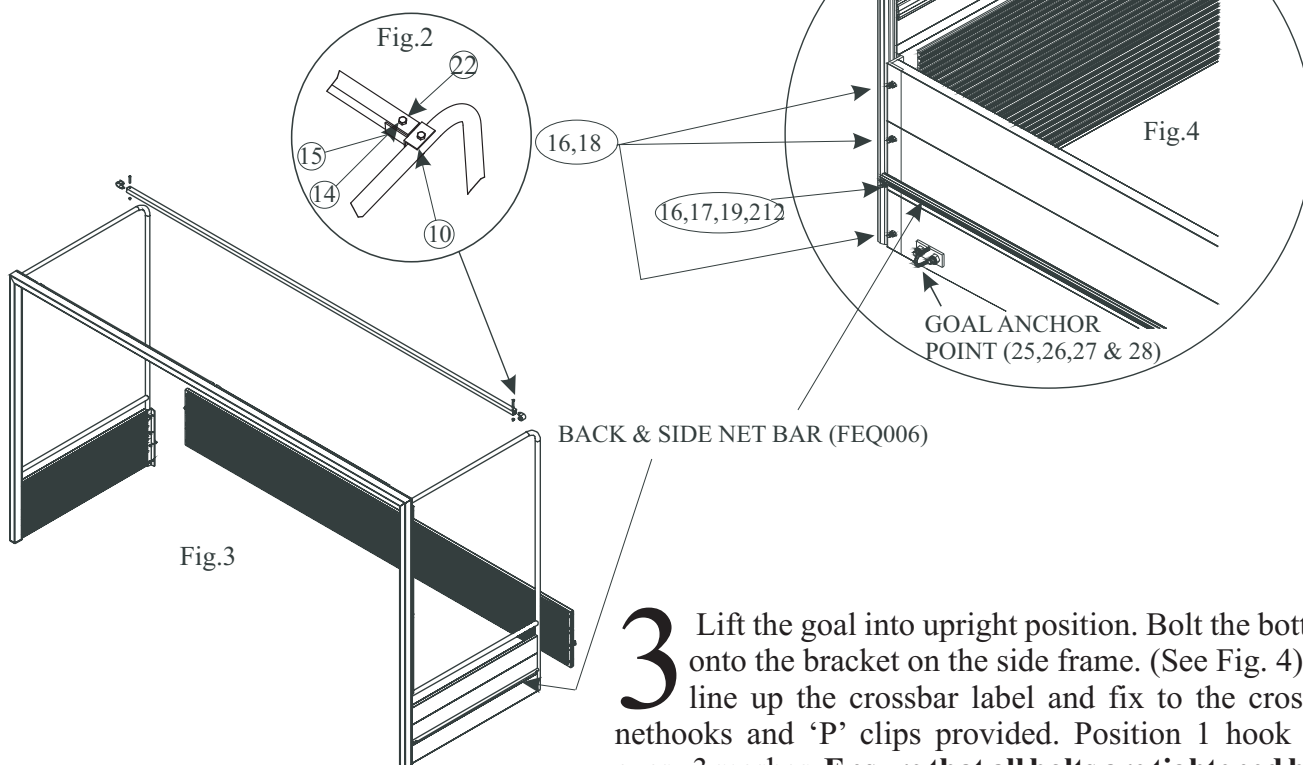
Tools Required for the Job:

- 1 x 10mm Spanner
- 1 x 13mm Spanner
- 1 x 17mm Spanner
- 1 x Flat Headed Screwdriver



1 Place the crossbar on the floor with the slot facing upwards. Slide 1 x M10 square head bolt into the groove at each end of the crossbar. Insert the 'L' shaped corner bracket into the slots inside the upright and crossbar as shown. Begin to push the side frame and crossbar together, lifting the corner angle on the side frame enough so that the end hole fits over the bolt. Then slide a second square head bolt into the channel at each end, inserting the remaining bolt into the corner angle. Now push the side frames and crossbar together fully, ensuring there is no gap. Put a nylon washer and an M10 nylock nut on the outside bolt and tighten fully. Wrap a 'P' clip round the crossbar edge of the net and place it over the remaining bolt, secure in place with a M10 nylock nut. (See Fig. 1)

2 Bolt the backbar into position on the top side of the using the bracket on the side frame tube as shown. (See Fig. 2). This can be done while the goal is laying down or in the upright position. Please note: The goal must **NOT** be moved or tipped using the back bar. The backbar is to support the net only. To tip the goal over onto the wheels, two or more people are required to hold the side frames for support and tip over onto the wheels. To lift the goal, use the side frame lifting bar.



3 Lift the goal into upright position. Bolt the bottom backboard onto the bracket on the side frame. (See Fig. 4). To fit the net, line up the crossbar label and fix to the crossbar using the nethooks and 'P' clips provided. Position 1 hook approximately every 3 meshes. **Ensure that all bolts are tightened before use. The goal must be anchored at all times.**

GENERAL OPERATION & MAINTENANCE RECOMMENDATIONS FOR SPORTS GROUND EQUIPMENT



It is the responsibility of the facility operator to provide equipment that is fit for purpose and maintained to the required standard.

Operators also have a responsibility to staff under the Health & Safety at Work Act to ensure that staff are properly trained to carry out the required tasks for which they are employed. It is the facility providers who could find themselves liable in the case of any accidents where staff are found not to be competent.

Assembly & Dismantling

- 1) When erecting equipment always use the instructions and recommendations provided by the manufacturer.
- 2) We remind you that the appropriate personal protective equipment (PPE) must be worn at all times. e.g. Hard hat, steel toe-cap boots, gloves etc.
- 3) When tall and/or heavy equipment is being erected it is recommended that scaffolding and/or heavy lifting equipment is used. A risk assessment should be carried out if necessary.
- 4) The correct tools for the job must be used at all times.
- 5) Assembly must be carried out by a sufficient number of competent persons.

Checking Equipment

Equipment should be checked on a regular basis. This requires positive action, and the information gathered must be recorded and acted upon immediately should any faults be found.

- 1) Check all equipment a minimum of once every week - but always before any game or training activity.
- 2) Carry out a thorough visual check of the whole goal.
Check that all fixings are secure and there are no loose or missing nuts, bolts, pins or other fixings.
- 3) If nuts, bolts, pins or other fixings are loose or missing it is not possible to assemble the equipment correctly. It is therefore vital that missing parts are purchased from the manufacturer to ensure compatibility.
- 4) If parts of the goal are bent or other damage is present there may be more damage internally which is not visible and could result in the goal collapsing or tipping. The goal should be taken out of action and removed from site.
- 5) Check that all pivot points are in good condition and lubricated with grease.
- 6) Any chips or scratches must be treated to prevent corrosion occurring at these points.
- 7) Check all anchoring attachments and anchoring points.
- 8) Should weight-type anchors be used, check there are the correct number for the size of the goal.
- 9) If you find a fault - you must record the fault and not continue to use the goal. It must be correctly repaired or replaced with new equipment.
- 10) Do not modify goals by welding or by substituting with incorrect parts. If any part is missing or broken, obtain a replacement from the original manufacturer.
- 11) Wheel mechanisms should be complete and in full working order.
- 12) Inflatable tyres must be checked for punctures and be inflated to no more than maximum pressure marked on tyre.
- 13) Cellular or solid type wheels are the preferred option as little maintenance is required.

Checking Netting

- 1) Check for missing or broken net fixings as these may allow a ball to pass between the edge of the net and goal frame, resulting in confusion over whether or not a goal has been scored.
- 2) The size of the mesh of the net has been chosen to reduce the risk of injury caused by entrapment. If there are broken cords the holes become larger than intended and require repair or replacement.
- 3) Any broken cord in the nets may be able to be repaired using the same cord used to manufacture the net.
- 4) Nets must be stored out of direct sunlight and away from rodents.

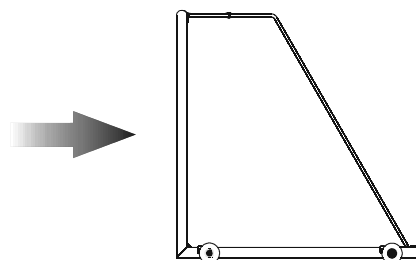
The Code Of Practice provided by BS 8461 gives guidance as to the type of check that should be carried out on football goals and how often they should be checked. Although this is football specific it is widely considered best practice for all sports.

Storage

- 1) Our recommendations regarding anchoring must still be adhered to when freestanding products are stored assembled.
- 2) If equipment has folding back supports it is recommended that the posts are stored flat on the ground. If they are required to be stored vertically, e.g. leant against a fence, they must be attached in such a way as to prevent them falling over.
- 3) When dismantled, parts must be stored safely & securely in order to prevent accidents in the storage area.

Moving

- 1) Great care must be taken in moving the product whilst it is still assembled.
- 2) If no transportation wheels are provided, equipment must be lifted by a sufficient number of competent persons as stated in the assembly instructions to prevent injury, or damage to the product.
- 3) Equipment should never be dragged across the ground. Moving equipment in this way is likely to cause damage to both the product and the surface, whether natural or synthetic. Equipment must be lifted clear of the ground when it is being moved.
- 4) If additional weights are fitted to the goal, they must be removed first before attempting to move the goal. Once the goal is in position, carry the weights to the goal and re-attach.
- 5) Where goals with specific folding mechanisms are used, care must be taken to fold in accordance with both the instructions and labels. Damage can often occur when mechanisms are not released in the correct manner. Always refer to labels and instructions.
- 6) Fence folding style goals, with socketed support posts, are designed to be manoeuvred simultaneously by two competent persons. Care must be taken whilst moving the goal to ensure the net does not become entangled.
- 7) Goals fitted with wheels should be moved by using 4 competent persons in each corner of the frame and in the correct manner as stated in the assembly instructions.
- 8) In the case of integrally weighted goals, 4 competent persons must be used as per standard wheeled goals, it is important to check that the flip up wheel is locked in place before attempting to move the goal.



Keeping Records

- 1) The safety of equipment is the responsibility both of the facility providers (who should provide safe goals, installed and maintained in a safe condition) and of the users (who should only use the equipment for its intended purpose).
- 2) Facility providers should be aware of operation and maintenance guidelines and keep records of all checks, installations and maintenance carried out.

Example 1 - Goal Record Sheet

Example 2 - Goal Inspection Sheet

GOAL RECORD SHEET



Goal Reference	Pitch 3 North End			
Date	Type of check	Findings	Action taken	Checked By
10th Dec	Weekly	Scratched Paint work on left hand upright	Painted over required area - Used Harrod UK White touch up paint	Harry Pitts
18th Dec	Weekly	All ok	None	Harry Pitts
2nd Jan 06	Full	Goal Passed Strength & Stability Test - No other problems	Full Goal Post Risk Assessment undertaken	Harry Pitts
10th Jan 06	Weekly	Goal Net has holes and broken meshes, some net hooks also missing	Purchased new net and clips and fitted to goal	Harry Pitts

Harrod UK Ltd, Pinbush Road, Lowestoft, Suffolk, NR33 7NL, England Tel: 01502 583515 Fax: 01502 582456 Email: sales@harrod.uk.com www.harrod.uk.com

GOAL INSPECTION SHEET

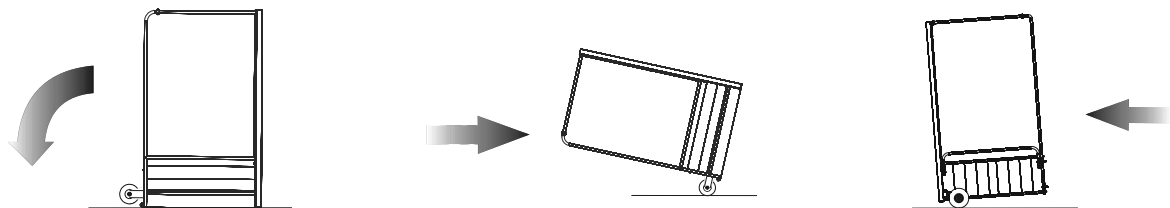


Site	Walmer Road		
Goal Reference	Pitch 3 North End	Type of Goal	Socketed Aluminium
Size of goal	7.32m x 2.44m	Stability Test Pass	Yes / No
Strength Test	Notes:	Start Height	mm
		Finish Height	mm
		Deflection Test	mm
		(more than 10mm is a fail)	Pass / Fail
Supplier or Manufacturer	Harrod UK Ltd	Date of manufacture	Feb 2005
Inspected By	Harry Pitts	Date of inspection	10th Jan 2006
Findings	Goal Net has holes and broken meshes, some net hooks also missing		
Action Taken	Purchased new net and clips and fitted to goal		
Contact details for spares and repairs	Harrod UK Ltd, Pinbush Road, Lowestoft, Suffolk, NR33 7NL Tel: 01502 583515, Fax: 01502 582456, Email: sales@harrod.uk.com		

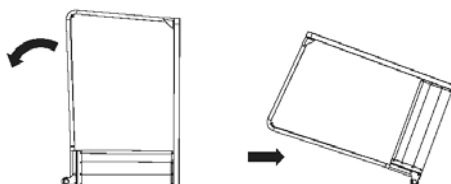
GUIDELINES FOR SPECIFIC SPORTS

Hockey

- 1) We strongly recommend that wheels are used to transport hockey goals, otherwise the goals should only be lifted with a minimum of four competent persons.
- 2) Only devices specified by the manufacturer must be used to manoeuvre goals.
- 3) Hockey Goals with rear fitted wheels must be tipped onto the wheels using four competent persons. There should be one person in each corner of the goal. The top rear support bars and side frames are integral parts of the goal for supporting the netting and are not to be used as the principle method for tipping the goal.
- 4) When using front flip-over type wheels, the lifting handles fitted to the goal are to be used when flipping the wheel into place. This requires two people per side (one to lift, one to flip).



- 5) In the case of integrally weighted, 4 competent persons are required to move the goal. Standing directly behind the goal. Put one foot on the axle bar to stabilise the goal and at the same time pull the goal back together until the goal is in the position. Manoeuvre the goal into the desired location and carefully let the goal down, making sure that the goal is not dropped.
- 6.) Integrally weighted goals require a minimum pitch run off of 2 metres and must not be stored with the back of the goal against a surround fence or wall. To ensure the goal can be moved space must be available to allow the goal to be tipped up onto its roller.

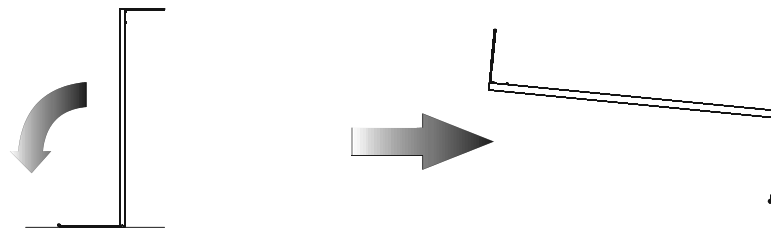


Tennis

- 1) Freestanding Tennis Posts should only be moved by means of transporter trolleys, unless the posts have been completely dismantled.
- 2) A minimum of 2 transporter trolleys must be used per set of posts.
- 3) Posts should not be stored on trolleys at any time.
- 4) Only use trolleys that were specifically made for transporting tennis posts.
Two competent persons are required to lift each end of posts onto the trolley. Use fixing bolts to secure posts on trolleys before attempting to move.
- 5) Care should be taken not to over tension the net as this can potentially cause each end of a freestanding tennis post to lift and render the posts unstable.
- 6) We recommend the net winder handle be removed if the posts are left unsupervised.

Netball

- 1) Freestanding posts must be laid down and stored in a secure covered location when not in use.
- 2) Freestanding posts must only be wheeled in a pushing motion from the top of the post.



Shelters

- 1) Aluminium team shelters are designed to be permanently fixed to an appropriate prepared surface.
- 2) Correct amount of fixings should be used dependent on the size of the shelter.
- 3) When moving shelters the correct number of competent persons are required (please refer to the Manual Handling guidelines).
- 4) Shelters should never be left unsecured.

Pitch Dividers

- 1) Pitch Divider Systems are designed to have wire as a permanent fixture and this should not be removed on a regular basis.
- 2) If wire is required to be taken down, release the pressure on the wire, detach from anchor post, coil and tie it off, then store the wire in pouch with the netting.
- 3) Pitch divider netting is retractable and should be stored in a storage pouch.
- 4) The netting must be retracted using a 'pull and draw' system. This is achieved by standing at the storage end of the system and by slowly pulling the net inwards until all the netting has been gathered. Do not walk with it from one end to another as this will cause the netting to become entangled and put excess stress on the clips used to suspend the netting.

Anchorage

Background : In the UK, standards for Goal posts and nets for a variety of sports are set by The Comité de Européan Normalisation which has been in existence since 1989. Other standards have also been set in more recent times by the BSI, specifically for junior, mini, small-sided football and Futsal. Harrod UK have been representatives on the CEN Committee since 1989, the F.A. Guidelines Committee in 2003 and the BS 8462/8461 Committee in 2005.

Purpose of CEN: To normalise and raise standards for goal posts throughout the European Community. A committee whose aim is to ensure all equipment is manufactured to the highest standard, and to create awareness of the highest level of responsibility bestowed upon the authorities responsible for the equipment and its use.

Implications : Providers of sports equipment have a responsibility to supply equipment that is fit for purpose and above all safe to use at all times. Equipment that conforms to BSEN and BS standards has to be independently tested for both 'strength' and 'stability' by a registered testing house and manufacturers are obliged to produce copies of these certificates on demand.



☒ Senior Integrally Weighted Goal

At Harrod UK we have long since identified the need for 'bullet proof' goals and have developed a unique range of integrally-weighted goals. These goals are safe to use at all times, require no further anchorage and have been widely acknowledged at the SAPCA and Sports College Conferences as the safest metal goal available in the market place today. The continuing F.A. campaign highlights the responsibilities of pitch providers to ensure they only use goals that conform, and we cannot emphasise strongly enough that end users have the ultimate accountability in this respect.

Official Goal Sizes

Type Of Goal	Internal Sizes (mm)	Appropriate Specification	Strength Test	Stability Test	Amount Of *ANC-005 Required
Senior (Full Size)	7320 x 2440	BS EN 748:2004	180 kg	110 kg	Qty 6 (per goal)
Youth Football	6440 x 2130	BS 8462:2005	180 kg	110 kg	Qty 6 (per goal)
Mini Soccer	3660 x 1830	BS 8462:2005	80 kg	70 kg	Qty 6 (per goal)
Small Sided	4880 x 1830	BS 8462:2005	80 kg	70 kg	Qty 6 (per goal)
Small Sided (Gross Mass of 18kg or more)	4880 x 1220 3660 x 1220 2440 x 1220	BS 8462:2005	80 kg	70 kg	Qty 4 (per goal)
Futsal	3000 x 2000 x 2000	BS 8462:2005	180 kg	110 kg	Qty 6 (per goal)
Hockey	3660 x 2130	BS EN 750	180 kg	110 kg	Qty 10 (per goal)

*ANC-005 This is a counterbalance type weight anchor used for anchoring freestanding goal posts

Anchorage: To achieve the above stability test, goals (in the case of socketed type) must be installed with the correct amount of concrete around the socket, or in the case of freestanding goals, be anchored in the correct manner. Full details of Harrod UK anchorage systems are available at www.harrod.uk.com