

Code: HOC-151, HOC-152, HOC-159, HOC-160, HOC-162, HOC-175

INS070

Revision 13

02/08/18

Product: London 2012 Aluminium Weighted Hockey & Euro League Goal

© Harrod UK Limited

London 2012 Aluminium Weighted Hockey & Euro League Goal

View of Product

Fittings

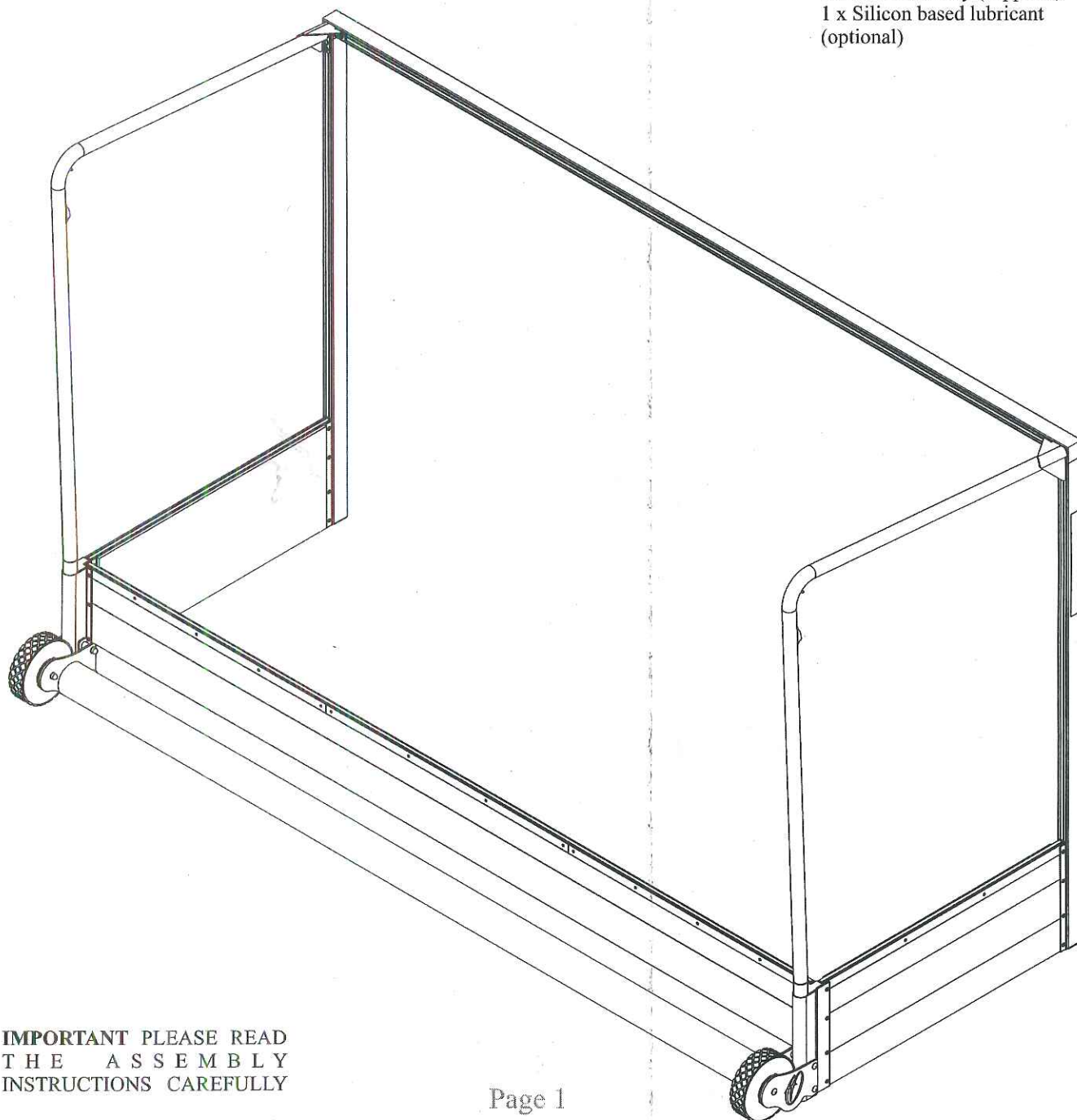
Please see overleaf for fittings detail

Tools Required

2 x 17mm Spanners
1 x Crosshead Screwdriver
1 x Rubber Mallet
2 x M4 Allen Key (supplied)
1 x Silicon based lubricant (optional)

Net:-

There is no net supplied with this goal. To purchase a net please contact our Sales office who will be able to provide you with a suitable distributor - Please quote Net Number HOC-156 (Blue), HOC-157 (Black) or HOC-158 (Green)



**IMPORTANT PLEASE READ
THE ASSEMBLY
INSTRUCTIONS CAREFULLY**

Code: HOC-151, HOC-152, HOC-159, HOC-160, HOC-162, HOC-175

Product: London 2012 Weighted Hockey Goal

Pack Contents

HOC-151: London 2012 Weighted Hockey - Blue

1. 1 x Crossbar (pair) (FEP510)
2. 2 x L/H Sideframe (FEP021)
3. 2 x R/H Sideframe (FEP022)
4. 2 x Backboard (FEP020)
5. 2 x Fittings Pack (FPK080)
6. 2 x Axle Bar. (FEP151)
7. 2 x Back Tube (FEP152)
8. 4 x Solid Axle Weight (FEP392)
9. 2 x Short Solid Axle Weight (FEP070)
10. 1 x Net Retaining Rod (pack of 10) (FEP205)

HOC-159: London 2012 Weighted Hockey - Green

1. 1 x Crossbar (pair) (FEP510)
2. 2 x L/H Sideframe (FEP217)
3. 2 x R/H Sideframe (FEP218)
4. 2 x Backboard (FEP221)
5. 2 x Fittings Pack (FPK159)
6. 2 x Axle Bar. (FEP151)
7. 2 x Back Tube (FEP268)
8. 4 x Solid Axle Weight (FEP392)
9. 2 x Short Solid Axle Weight (FEP070)
10. 1 x Net Retaining Rod (pack of 10) (FEP205)

HOC-162: London 2012 Weighted Hockey - Maroon

1. 1 x Crossbar (pair) (FEP510)
2. 2 x L/H Sideframe (FEP440)
3. 2 x R/H Sideframe (FEP441)
4. 2 x Backboard (FEP816)
5. 2 x Fittings Pack (FPK162)
6. 2 x Axle Bar. (FEP151)
7. 2 x Back Tube (FEP353)
8. 4 x Solid Axle Weight (FEP392)
9. 2 x Short Solid Axle Weight (FEP070)
10. 1 x Net Retaining Rod (pack of 10) (FEP205)

HOC-152: London 2012 Weighted Hockey - Red

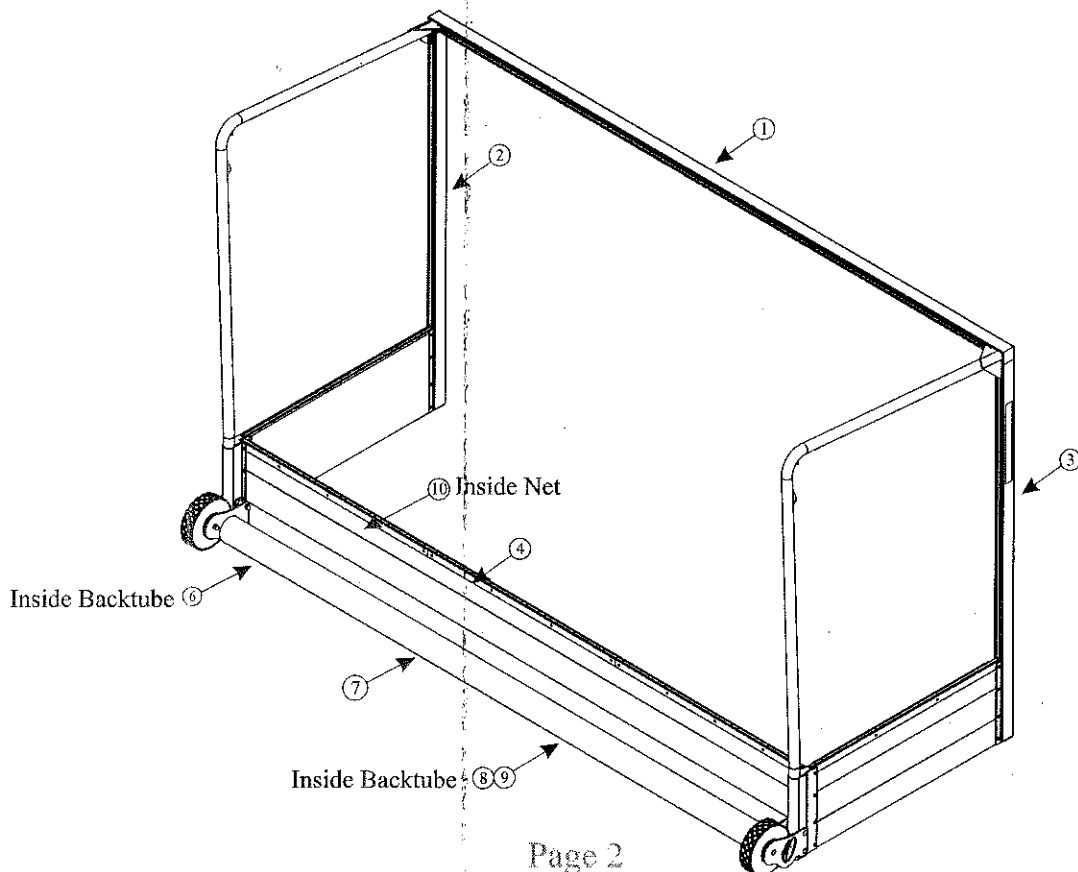
1. 1 x Crossbar (pair) (FEP510)
2. 2 x L/H Sideframe (FEP459)
3. 2 x R/H Sideframe (FEP460)
4. 2 x Backboard (FEP461)
5. 2 x Fittings Pack (FPK460)
6. 2 x Axle Bar. (FEP151)
7. 2 x Back Tube (FEP181)
8. 4 x Solid Axle Weight (FEP392)
9. 2 x Short Solid Axle Weight (FEP070)
10. 1 x Net Retaining Rod (pack of 10) (FEP205)

HOC-160: London 2012 Weighted Hockey - Gloss Black

1. 1 x Crossbar (pair) (FEP510)
2. 2 x L/H Sideframe (FEP248)
3. 2 x R/H Sideframe (FEP249)
4. 2 x Backboard (FEP250)
5. 2 x Fittings Pack (FPK161)
6. 2 x Axle Bar. (FEP151)
7. 2 x Back Tube (FEP254)
8. 4 x Solid Axle Weight (FEP392)
9. 2 x Short Solid Axle Weight (FEP070)
10. 1 x Net Retaining Rod (pack of 10) (FEP205)

HOC-175: Euro League Weighted Hockey

1. 1 x Crossbar (pair) (FEP958)
2. 2 x L/H Sideframe (FEP922)
3. 2 x R/H Sideframe (FEP923)
4. 2 x Backboard (FEP250)
5. 2 x Fittings Pack (FPK161)
6. 2 x Axle Bar. (FEP151)
7. 2 x Back Tube (FEP254)
8. 4 x Solid Axle Weight (FEP392)
9. 2 x Short Solid Axle Weight (FEP070)
10. 1 x Net Retaining Rod (pack of 10) (FEP205)



Code: HOC-151, HOC-152, HOC-159, HOC-160, HOC-162, HOC-175

Product: London 2012 Weighted Hockey Goal

Fittings

HOC-151: London 2012 Weighted Hockey - Blue

2 x Fittings Packs (each contains the following) (FPK080)
11. 1 x R/H Inner Wheel Bracket (PEP175)
12. 1 x L/H Inner Wheel Bracket (PEP174)
13. 1 x R/H Outer Wheel Bracket (PEP123)
14. 1 x L/H Outer Wheel Bracket (PEP122)
15. 2 x 260mm Cellular Wheel (WHE051)

HOC-159: London 2012 Weighted Hockey - Green

2 x Fittings Packs (each contains the following) (FPK159)
11. 1 x R/H Inner Wheel Bracket (PEP103)
12. 1 x L/H Inner Wheel Bracket (PEP121)
13. 1 x R/H Outer Wheel Bracket (PEP102)
14. 1 x L/H Outer Wheel Bracket (PEP120)
15. 2 x 260mm Cellular Wheel (WHE051)

HOC-162: London 2012 Weighted Hockey - Maroon

2 x Fittings Packs (each contains the following) (FPK162)
11. 1 x R/H Inner Wheel Bracket (PEP617)
12. 1 x L/H Inner Wheel Bracket (PEP633)
13. 1 x R/H Outer Wheel Bracket (PEP610)
14. 1 x L/H Outer Wheel Bracket (PEP620)
15. 2 x 260mm Cellular Wheel (WHE051)

HOC-152: London 2012 Weighted Hockey - Red

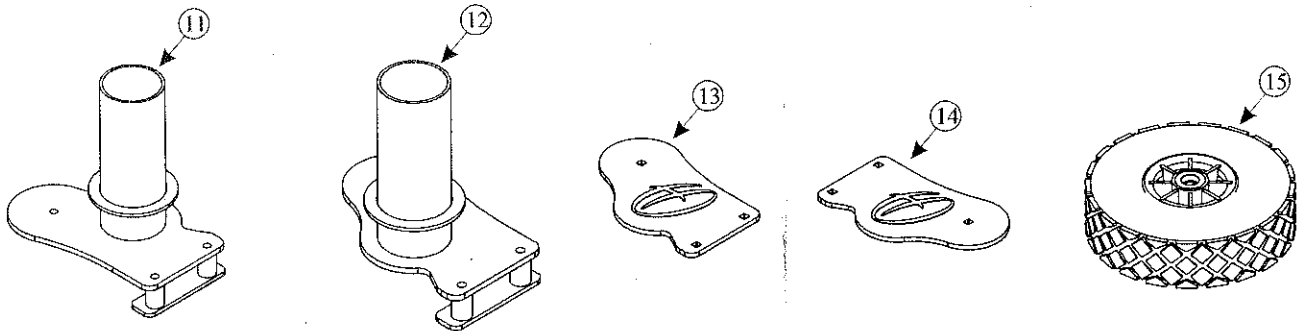
2 x Fittings Packs (each contains the following) (FPK460)
11. 1 x R/H Inner Wheel Bracket (PEP179)
12. 1 x L/H Inner Wheel Bracket (PEP178)
13. 1 x R/H Outer Wheel Bracket (PEP177)
14. 1 x L/H Outer Wheel Bracket (PEP176)
15. 2 x 260mm Cellular Wheel (WHE051)

HOC-160: London 2012 Weighted Hockey - Gloss Black

2 x Fittings Packs (each contains the following) (FPK161)
11. 1 x R/H Inner Wheel Bracket (PEP276)
12. 1 x L/H Inner Wheel Bracket (PEP277)
13. 1 x R/H Outer Wheel Bracket (PEP280)
14. 1 x L/H Outer Wheel Bracket (PEP279)
15. 2 x 260mm Cellular Wheel (WHE051)

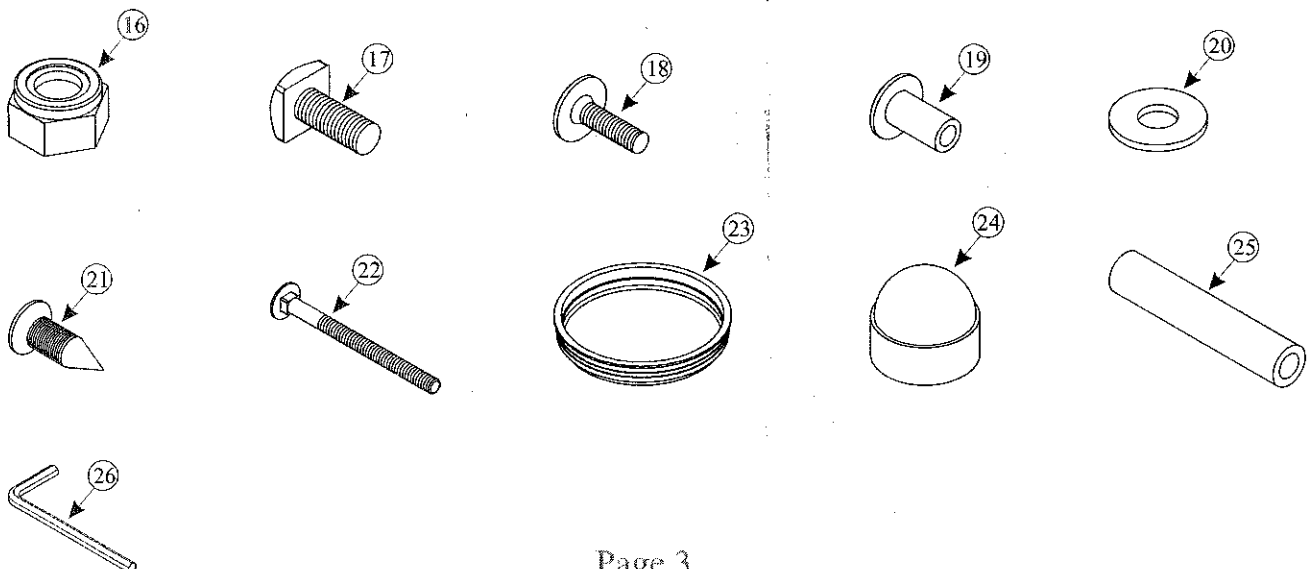
HOC-175: Euro League Weighted Hockey - Black & Yellow

2 x Fittings Packs (each contains the following) (FPK161)
11. 1 x R/H Inner Wheel Bracket (PEP276)
12. 1 x L/H Inner Wheel Bracket (PEP277)
13. 1 x R/H Outer Wheel Bracket (PEP280)
14. 1 x L/H Outer Wheel Bracket (PEP279)
15. 2 x 260mm Cellular Wheel (WHE051)



FPK081: WTD 2012 Hockey Bolt Pack (Included in all of the above fittings)

16. 14 x M10 Nylock BZP (BOL202)
17. 4 x M10 x 25 Square Screw (BOL336)
18. 12 x M6 x 25mm Joint Connector Bolt (BOL664)
19. 12 x M6 x 17mm Joint Connector Nut (BOL665)
20. 14 x M10 Form C Washer S/S (BOL709)
21. 16 x 5/8" 10G CSK Pozi S/Tap A2 (BOL783)
22. 6 x M10 x 130 Coach Bolts STST (BOL242)
23. 2 x 70mm Dia End Plug White (CAP307)
24. 6 x M10 Nutcap (CAP950)
25. 2 x 20x101mm Axle (PLT053)
26. 2 x M4 Allen Key (BOL793)



Code:

HOC-151, HOC-152, HOC-159, HOC-160, HOC-162, HOC-175

Product:

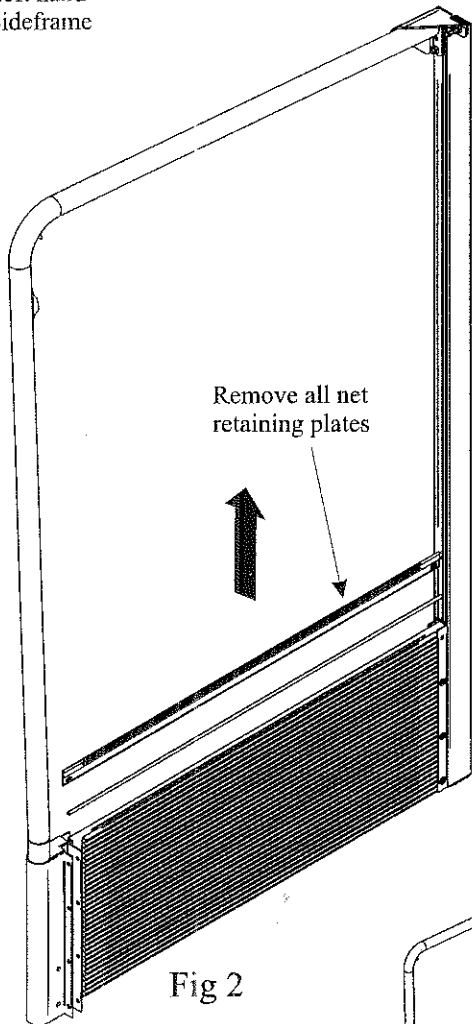
London 2012 Weighted Hockey Goal

Assembly Instructions

Please Note: For safety reasons, It is recommended that two or more people assemble this goal.

Tip - The Goal should be assembled on a flat surface.

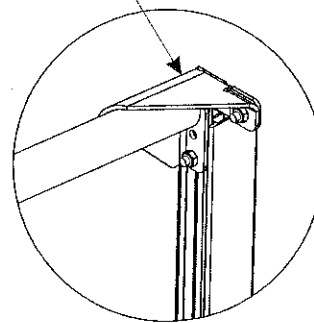
Left hand
Sideframe



1 Using scissors (Do not use a knife), remove all the packaging and Identify the parts using the Pack Contents and Fig 1 overleaf.

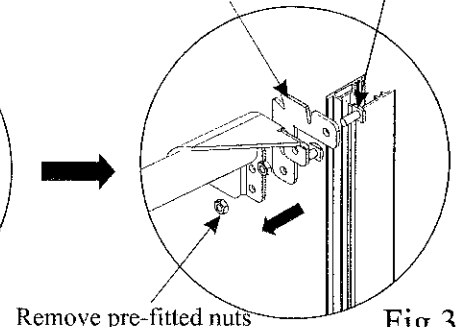
2 Pre-assembled Sideframes - You will need to remove the top of net support post from the upright. Remove plain nut which then can be discarded, and dismantle the Crossbar Joint Plate and square headed bolts (17) from the side frame. These parts will be refitted later on in the assembly.

Pre-assembled top corner, needs to be dismantled.



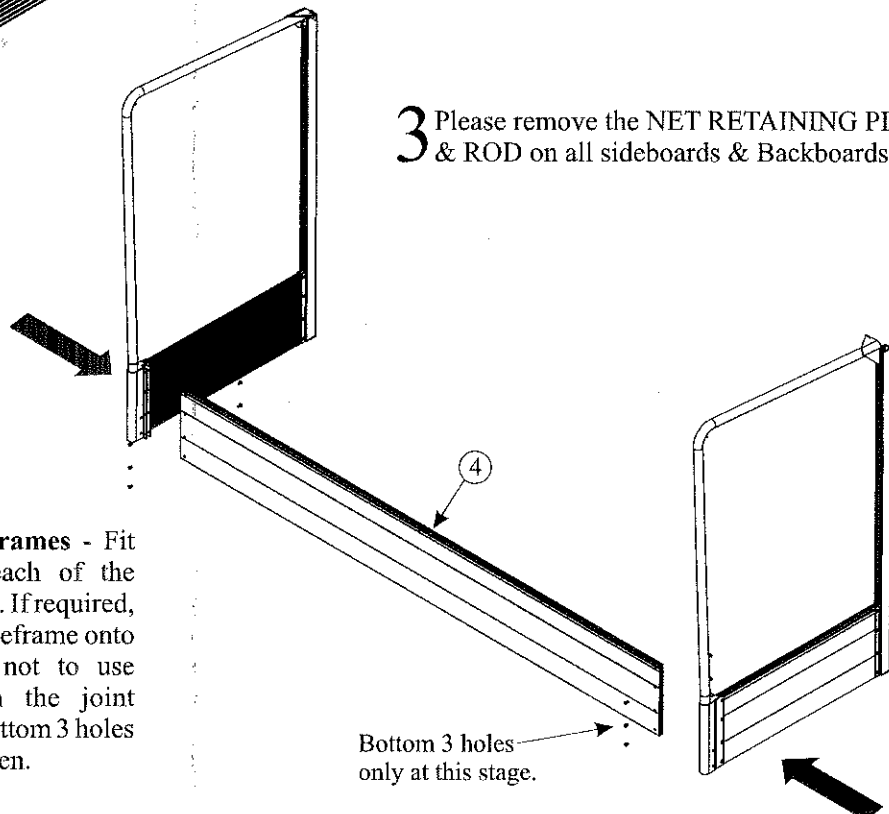
Crossbar
Joint Plate

17



3 Please remove the NET RETAINING PLATES & ROD on all sideboards & Backboards.

4 Fit Backboard to Sideframes - Fit the backboard (4) to each of the Sideframes (as shown in Fig 4. If required, using a soft mallet, tap the sideframe onto the backbar being careful not to use excessive force), fix with the joint connectors (18 & 19) in the bottom 3 holes only and again only hand tighten.



Code:

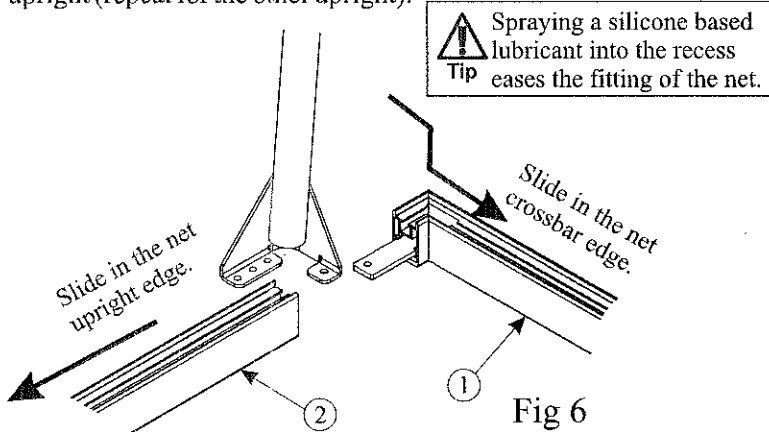
HOC-151, HOC-152, HOC-159, HOC-160, HOC-162, HOC-175

Product:

London 2012 Weighted Hockey Goal

5 Fitting the Net to the Crossbar and Uprights - Lay the goal over onto the uprights (placing on the original packaging to avoid scratching the uprights). Position the crossbar (1) in front of the uprights (as shown in Fig 5).

Lay the net out to identify the edges, the crossbar and upright edges are banded with black PVC and contain a rope. Although not critical, for best results fit the net with the thick seams on the outside of the net. Slide the crossbar edge (longest) into the slot in the upright (see Fig 6) Position the Crossbar close to the top of each upright. Holding the Net Support to one side slide the net into the upright (repeat for the other upright).



6 Secure The Net Support - Push the Crossbar into the Uprights and ensuring that the exposed rope on the end of the net has been slid into the corner of the crossbar slide the Square Headed Bolts (17) on top of the rope and into position (as shown in Fig 7 & Photograph 1). Fit the Crossbar Joint Plate carefully, trapping the net mesh and secure the Net Support Using the M10 Washers (20) and Nylock Nuts (16). With at least 2 people now **STAND THE GOAL UP**

7 Hanging The Net - Included with the Net will be a piece of Rope for hanging the net in position. Weave the piece of Rope through the net and tie a knot in each corner of the net approx 700mm from the end of the rope. Thread through the Loop in the corner of the Net Support and down through the Cleat. Pull the rope to lift the net but do not fully tension net. Secure rope in the teeth of the cleat. This will aid fitting the net to the side boards. Wait till you have fully secured the net before tensioning the rope.

8 Fit The Net To The Side And Backboards - Examine the Net Retaining Plate to familiarise your self with how it locates into the top of the Sideboard. Before fitting the net to the back and sideboards, interweave the net retainer rods through the bottom mesh of the net, 3 in the back, and one either side. Position one bottom edge of the Net and Retainer Rod into the slot in the top of the Sideboard and trap by sliding a Net Retaining Plate down onto the Sideboard, taking extra care not to incorrectly trap the net (see Fig 8). Secure with Joint Connector Bolts. Repeat for the other Sideboard and Backboard, ensuring the slots are placed at the outer edges. After successfully fitting the Backboard Plate secure in place with Joint Connector Bolts and intermediately with the 5/8" Self Tapping Screws (21). Now tighten all the Joint Connector Bolts with the Allen Keys provided. You may now tension the rope, to achieve the desired net shape move the positions of the knots. Note: these nets are designed to fit tightly. Pull the rope hard to achieve a nice shape. If you have not achieved the desired net shape, loosen the headline and re-position the knots and try again.

Page 5

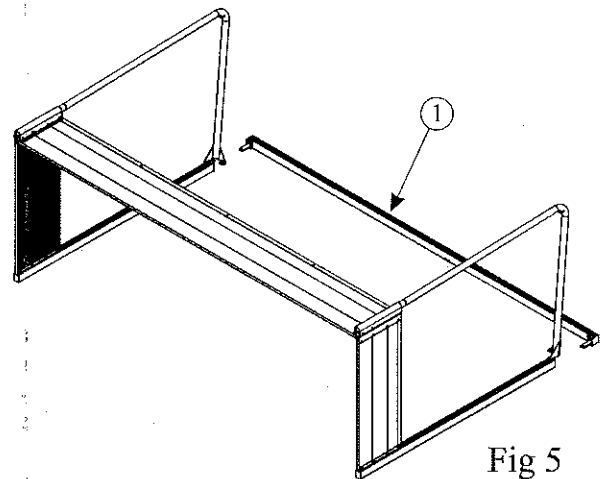
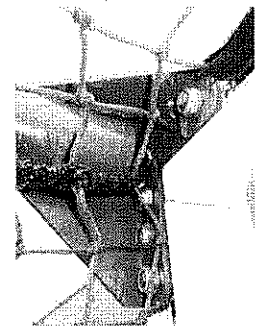


Fig 5

Hook corner of net under plate. Feed the sides of the first top mesh into the 'V' cuts on the bracket.

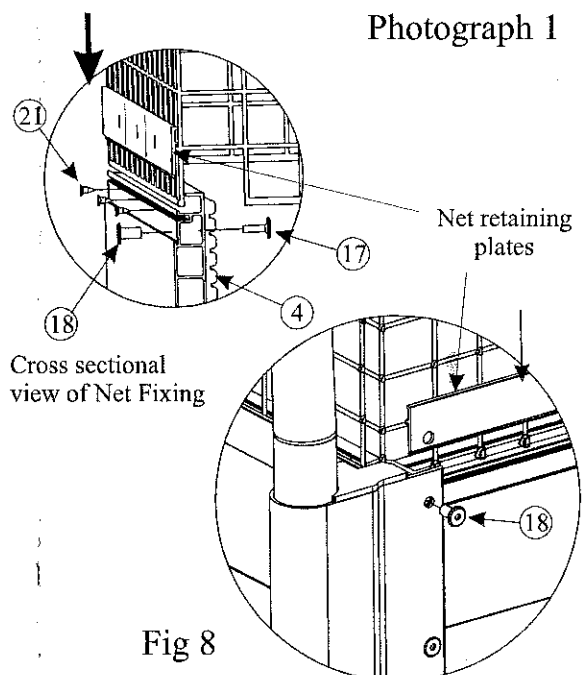
PVC

Fig 7



Photograph 1

Wrap net around square headed bolts, then fold over and cover with corner bracket.



Assembly Instructions

9 Fitting the Axle Bar - At the right side of the goal (as looking from the rear of the goal) fit the R/H outer wheel bracket (13), the R/H inner wheel bracket (11), and secure with 2 M10 x 130 Coach Bolts (22), 2 M10 Washers (20) and 2 M10 Nylock Nuts (16) hand tightened. Place the white end plug (23) into the hole in the inner wheel bracket. Place a 101mm Axle (25) inside a Cellular wheel (15) before positioning it between the bosses on the inner and outer wheel brackets and secure in place with a M10 x 130 Coach bolt, C Form Washer and Nylock Nut, again only hand tightened. Slide the Axle (6) into the spigot of the inner wheel bracket and place the other end on the ground.

Slide the Back Tube (7) over the axle, ensuring the opposite end fits up against the inner wheel bracket. Slide the second inner wheel bracket onto the axle and back tube and place back on the ground. Slide 2 solid axle weights (8) and a short axle weight (9) inside the axle, being careful not to push out the white cap on the opposite end. The axle weights provide the additional weight required for the goal to comply with BS EN 750. Repeat the steps used to assemble the first bracket to assemble the second. Once assembled tighten all nuts using a 17mm spanner.

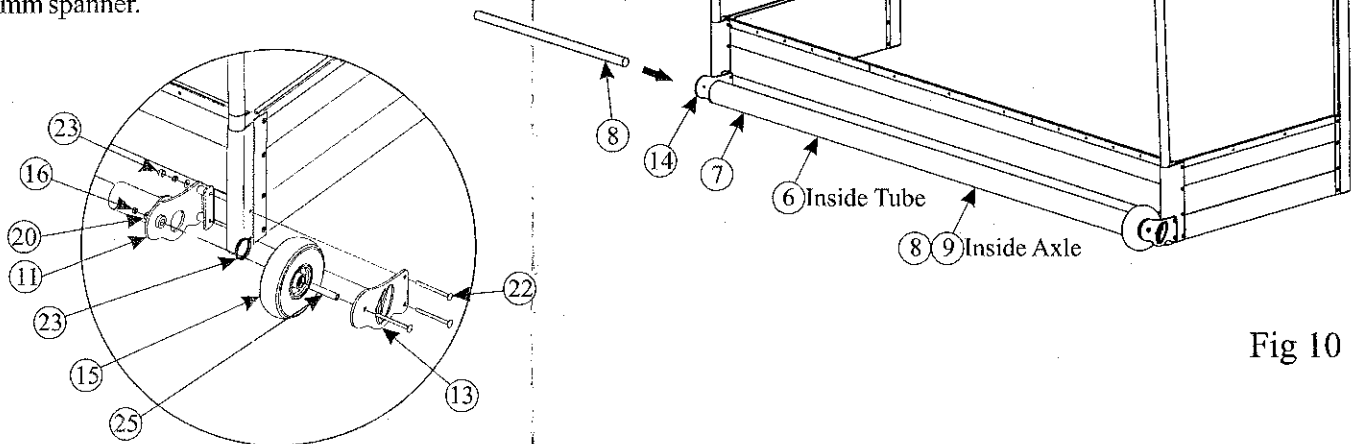


Fig 10

Moving The Goal

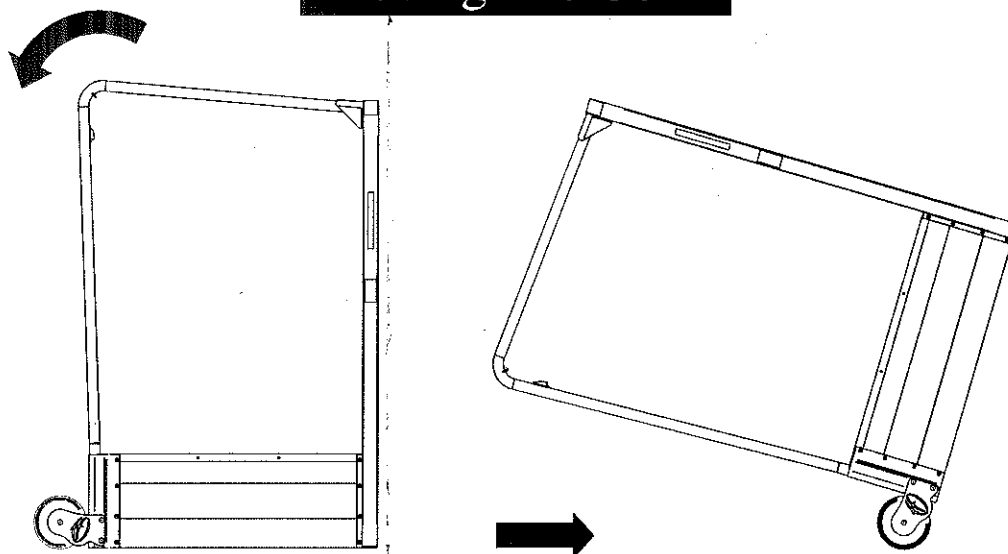


Fig 11

1 Moving The Goal - This Goal **Must** be moved by 4 (or more Adults). Standing directly behind the goal. Put one foot on the axle bar to stabilise the goal and at the same time pull the goal back together until the goal is in the position shown in Fig 11. Manoeuvre the goal into the desired location and carefully let the goal down, making sure that the goal is not dropped.