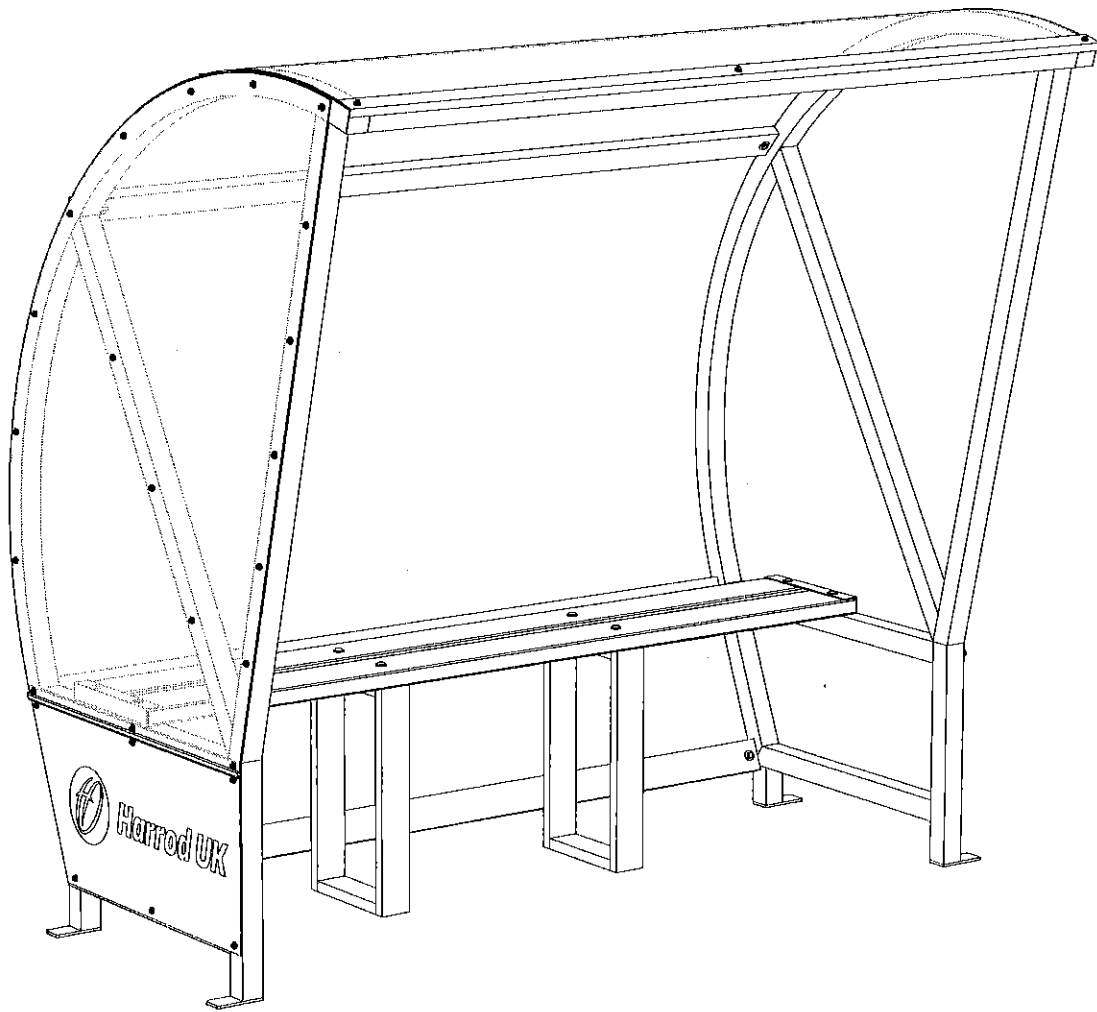


SHE-102

# 2m Panoramic Team Shelter



A minimum of 2 people are required for this assembly  
Estimated 60 minutes assembly time

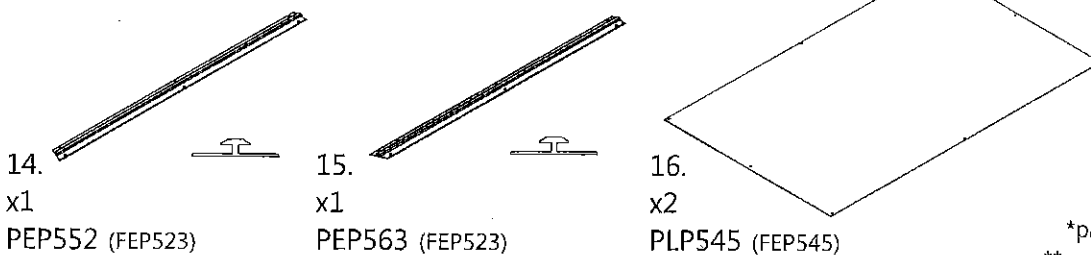
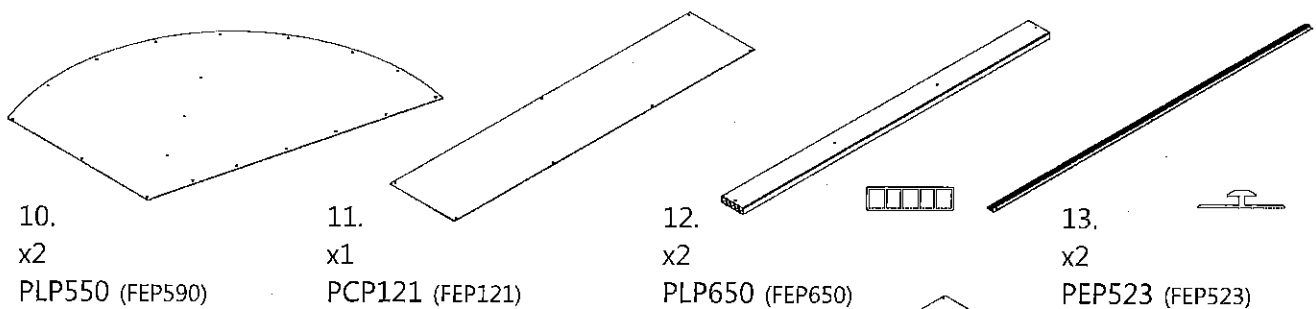
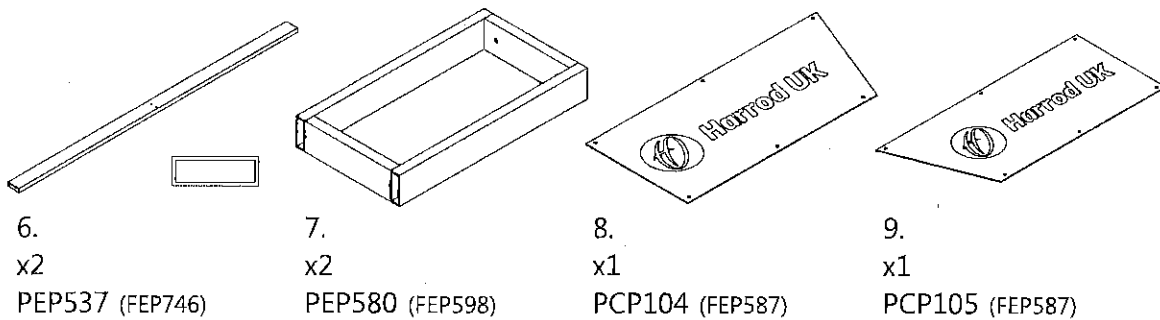
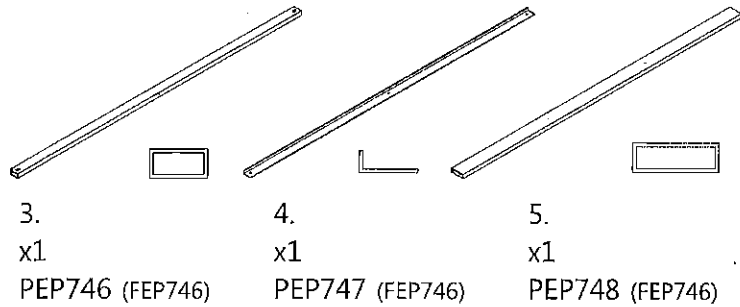
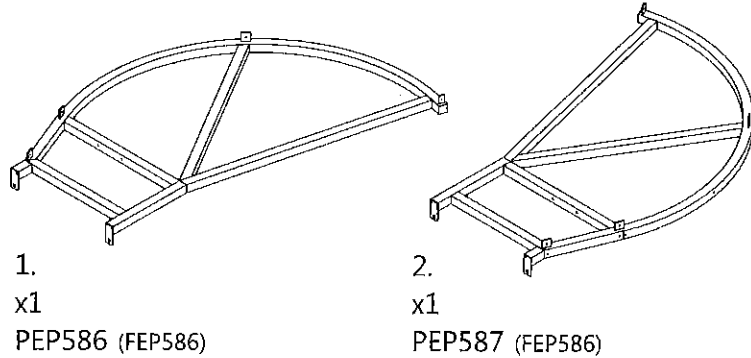
**i** **IMPORTANT:** This shelter **must** be bolted down to a concrete base.  
See page 7 for required dimensions

**i** **IMPORTANT:** Please read these assembly instructions carefully before  
starting to assemble your team shelter

## Pack Contents

### 2m Panoramic Team Shelter

1. L/H Sideframe
2. R/H Sideframe
3. Crossbar
4. Crossbar Flashing
5. Horizontal Bottom Support
6. Horizontal Mid Support
7. Seat Support
8. Black L/H Panel
9. Black R/H Panel
10. Clear Side Panel
11. Black Back Panel
12. Seat Bench
13. Rear Panel Join
14. L/H Panel Join
15. R/H Panel Join
16. Clear Back Panel



\*parts are not to scale  
\*\*code in brackets refers to packed part number

## Fittings Pack Contents

### FPK102: 2m Shelter Fittings

- 17. M8 Nyloc Nut
- 18. M8x100mm Button Set Screw
- 19. M8x70mm Button Set Screw
- 20. M8x20mm Hex Set Screw
- 21. Ø6.3x25mm Self Tap Screw
- 22. M8x25mm Washer
- 23. Matt Black Seat End Cover



17.  
x8  
BOL402



18.  
x4  
BOL445



19.  
x4  
BOL488



20.  
x8  
BOL546



21.  
x73  
BOL680

### Tools Required



1x 8mm Socket Drive



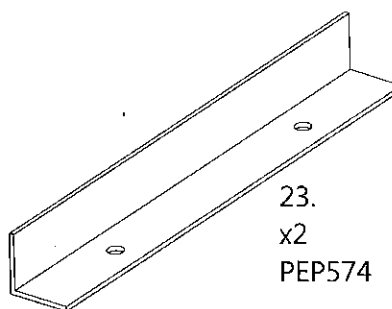
1x 13mm Spanner



1x 5mm Allen Key




22.  
x24  
BOL715




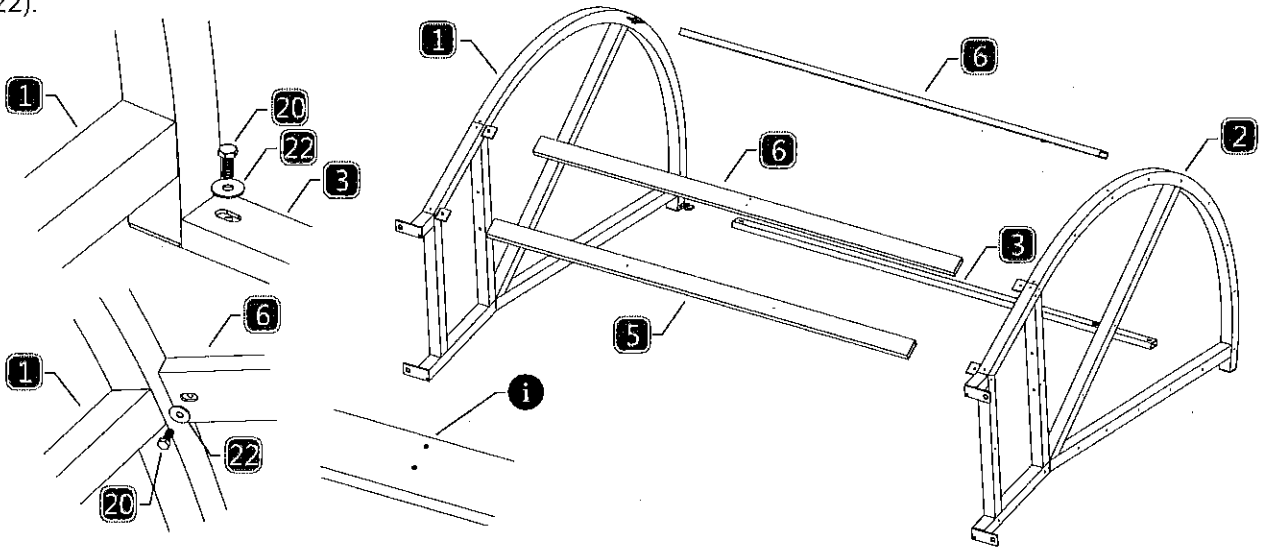
23.  
x2  
PEP574


\*parts are not to scale


## Assembly Instructions

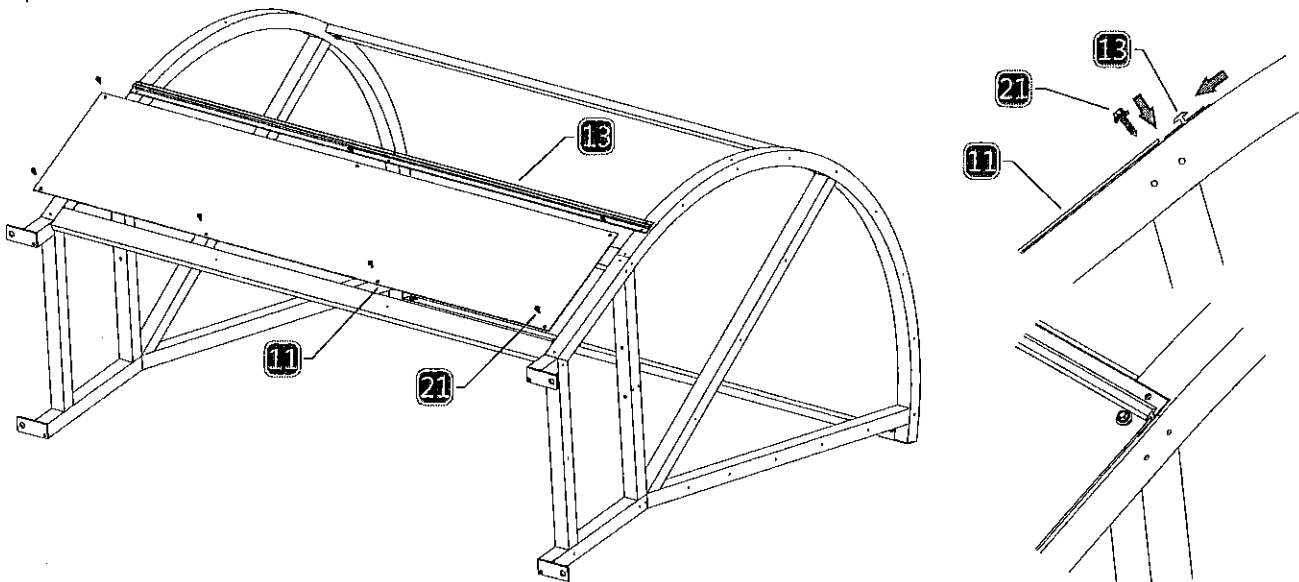
 **WARNING:** Do not fully tighten screws unless instructed to do so.


-  **1** Stand the Sideframes (1,2) on their fronts with the fixing lugs facing inward. Join the two Sideframes by sliding the connecting lugs into the Bottom Horizontal Support (5), Horizontal Mid Supports (6) and Crossbar (3). Secure **tightly** using eight M8x20mm Set Screws (20) and eight M8x25mm Washers (22).

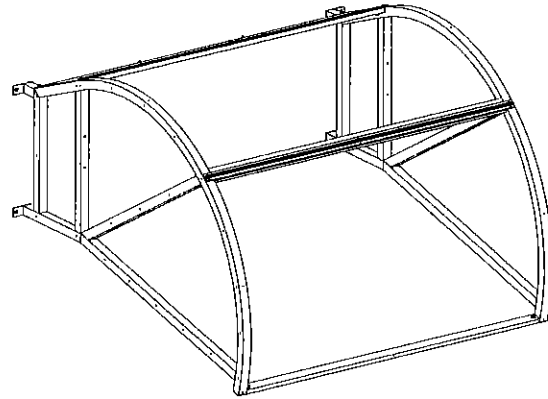
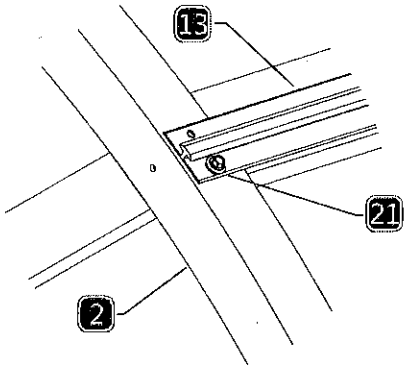



 **IMPORTANT:** Ensure the holes in the Horizontal Mid Supports are on the **outside**, towards the **top** of the shelter, and the holes in the crossbar are orientated towards the **top** of the shelter.

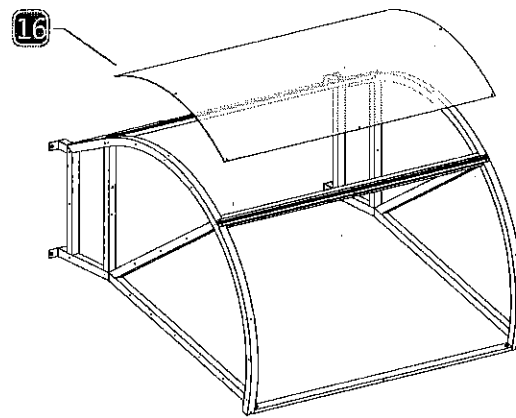
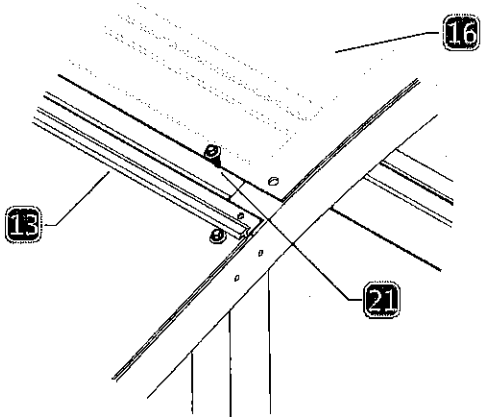
-  **2** Secure the **bottom** of the Black Back Panel (11) to the Bottom Horizontal Support and Sideframes using four Ø6.3x25mm Self Tap Screws (21) per panel, ensure the matt finished face is facing outwards. Slide the Rear Panel Join (13) over the top of the Black Back Panel. Align and secure the holes in the Black Back Panel, Rear Panel Join and Horizontal Mid Support and secure using three Ø6.3x25mm Self Tap Screws.




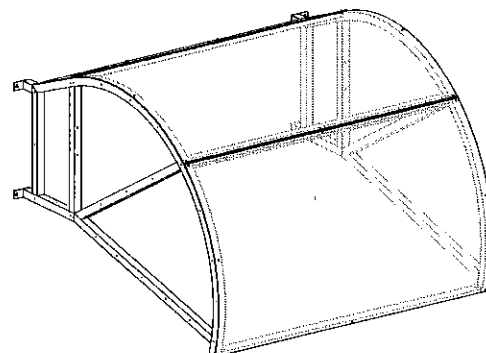
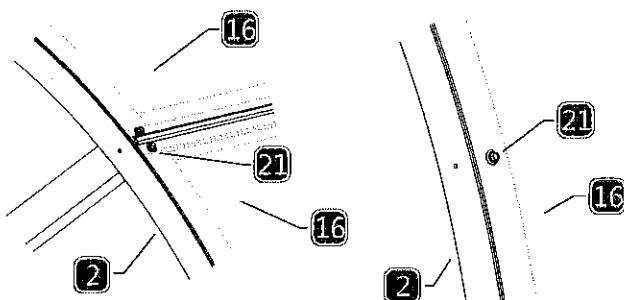
-  **3** Bolt the remaining Rear Panel Join to the second Horizontal Mid Support using **three** Ø6.3x25mm Self Tap Screws. Ensure the bolts are screwed through the holes towards the top of the shelter.




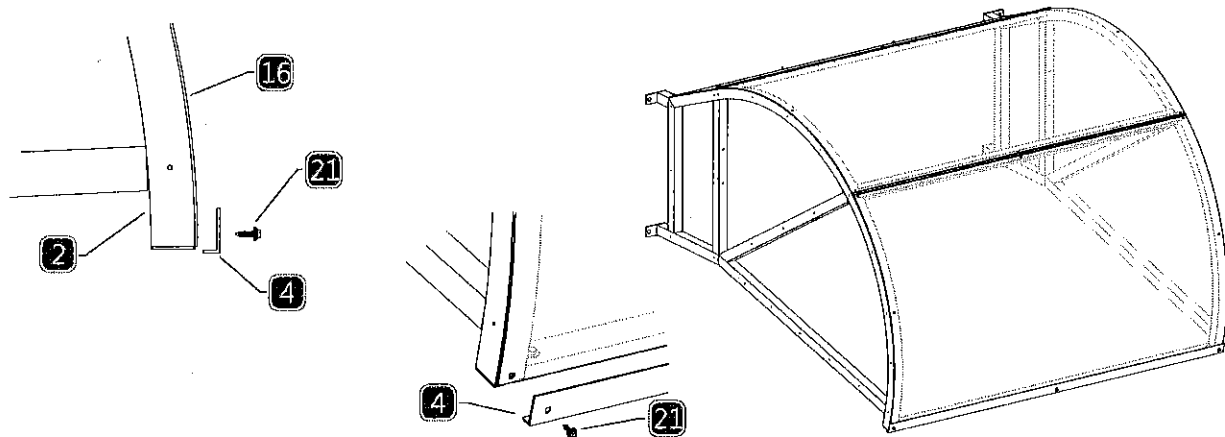
-  **4** Slot the Clear Back Panel (16) into the top of the Rear Panel Join on the lower Horizontal Mid Support and secure loosely with three Ø6.3x25mm self tapping screws. Slot the Clear Back Panel into the Rear Panel Join on the upper Horizontal Mid Support and secure loosely with Ø6.3x25mm self tap screws.





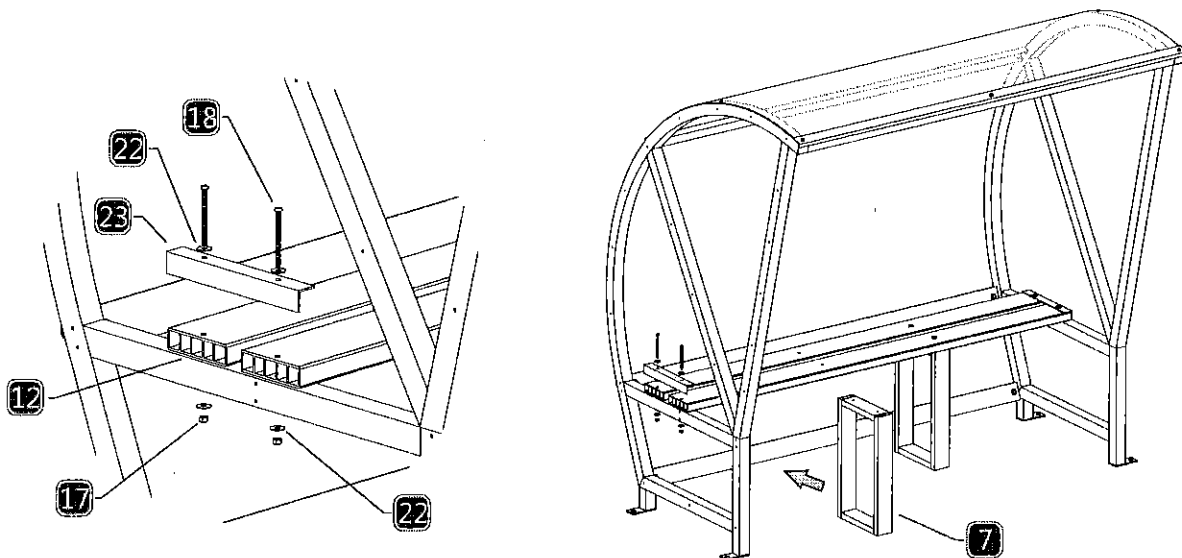
-  **5** Remove the three self tapping screws from the top of the Rear Panel Join to insert the top Clear Back Panel. Repeat the first part of Step 4 to attach the remaining Rear Back Panel to the Shelter. Do **not** bolt the top Rear Back Panel to the crossbar. Loosely bolt the Clear Back Panel to the Sideframes using Ø6.3x25mm self tap screws.





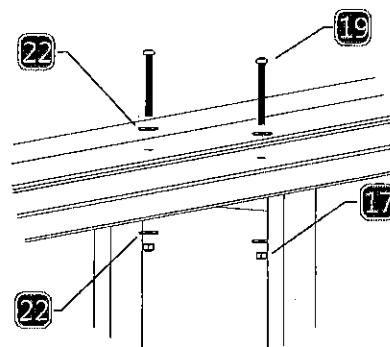
**6**  Secure the Crossbar Flashing (4), top Clear Back Panel and Crossbar with three Self Tapping Screws. Tighten all the Self Tapping Screws on the Clear Back Panels, Black Back Panel and Rear Panel Joins.




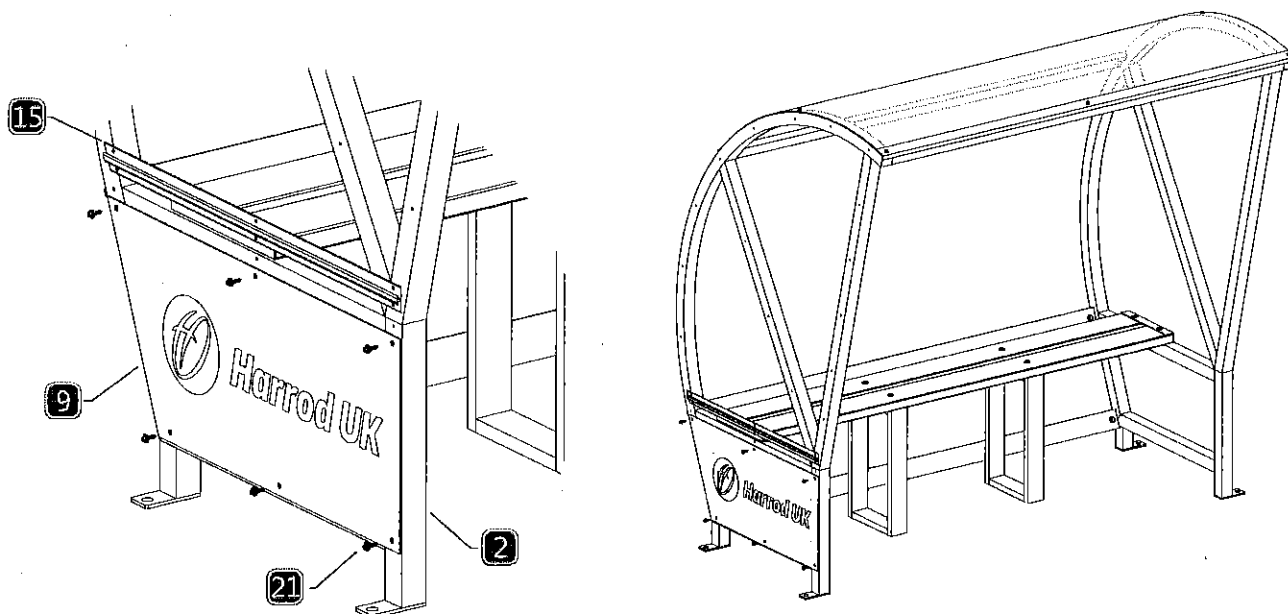
**7**  Place the Seat Benches (12) on the horizontal strut of the Sideframe. Slide the Seat Supports (7) under the Seat Benches and align the holes. Cover ends with Seat End Covers (23) and secure using two M8x100mm Button Set Screws, four M8x25mm Washers (22) and two M8 Nyloc Nuts (17) at each end. 




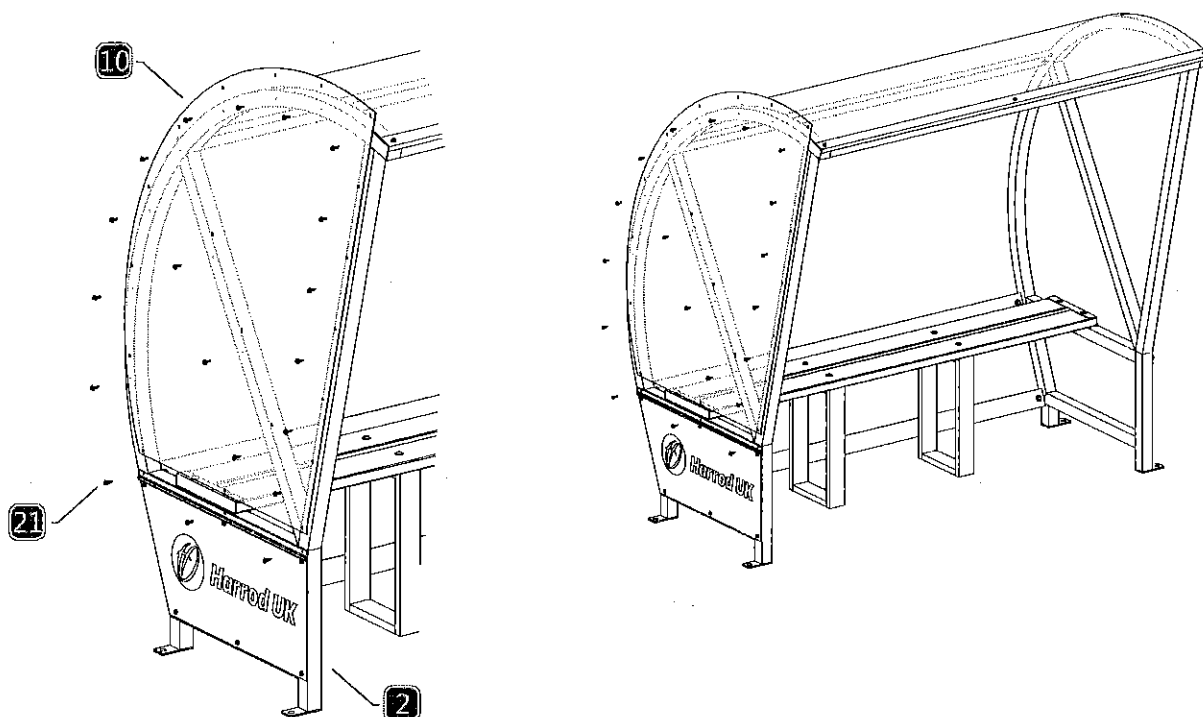
**8**  Secure Seat Supports to the Seat Benches using two M8x70mm Button Set Screws (19), four M8x25mm Washers and two M8 Nyloc Nuts per Seat Support. 



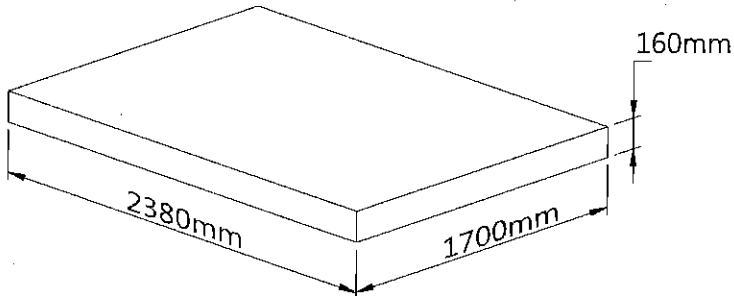
-  **9** Using three Ø6.3x25mm Self Tap Screws, loosely attach the Black R/H Panel (9) to the R/H Sideframe through the bottom. Slot the R/H Panel Join (15) onto the Black R/H Panel secure with three Ø6.3x25mm Self Tap Screws.



-  **10** Fix Clear Side Panel (10) to the R/H Panel Join using Ø6.3x25mm Self Tap Screws. Fully tighten all screws in the R/H Sideframe. Repeat steps 9 and 10 for the left hand side.



## Foundation Installation

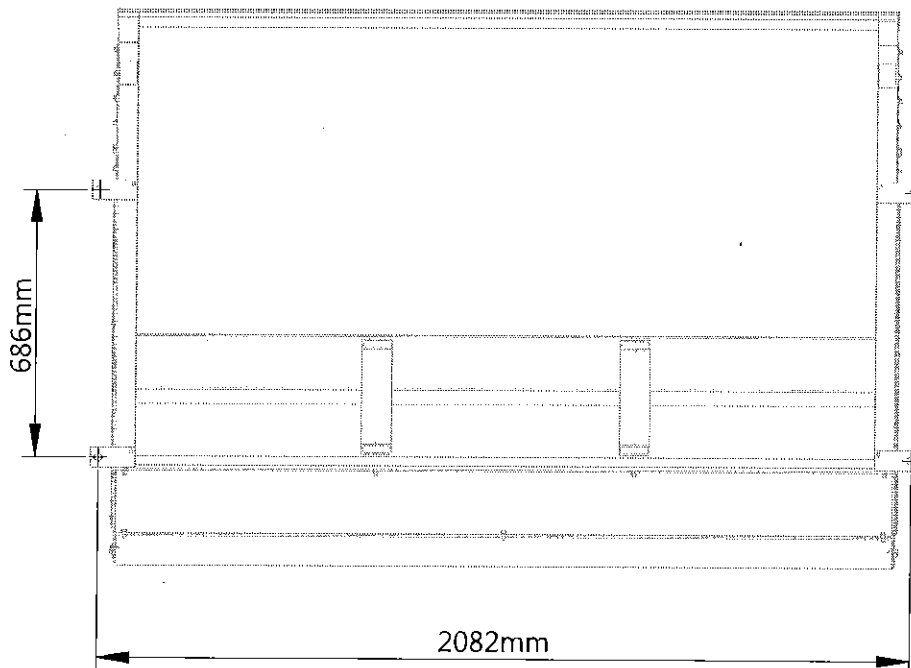


- 1 Dig a hole to the dimensions shown.
- 2 Fill the hole with concrete and level. Wait until the concrete is fully cured before fixing down the shelter.

## Hole Centres

Place the Shelter in position and mark out the hole centres through the fixing lugs in the Sideframes.

### Underside View



Alternative anchoring options;  
ANC-025: Chemi-Bolt Set per 7