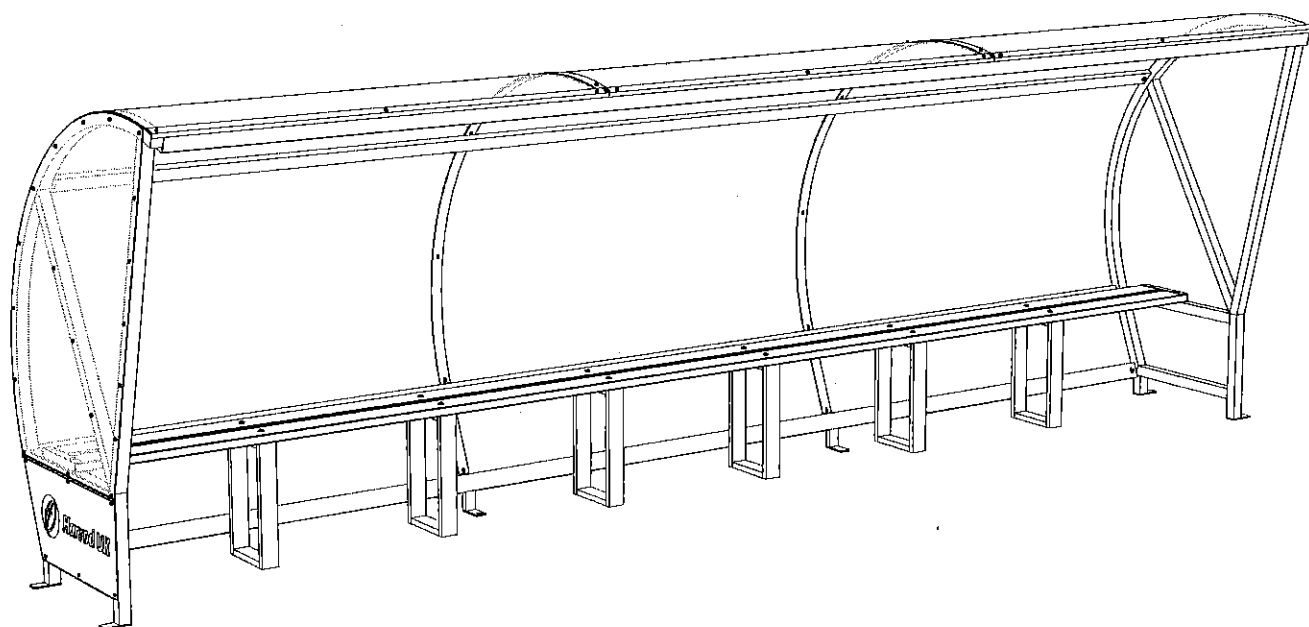


SHE-106

6m Panoramic Team Shelter



A minimum of 2 people are required for this assembly
Estimated 105 minutes assembly time

i **IMPORTANT:** This shelter **must** be bolted down to a concrete base.
See page 9 for required dimensions

i **IMPORTANT:** Please read these assembly instructions carefully before
starting to assemble your team shelter

Code SHE-106

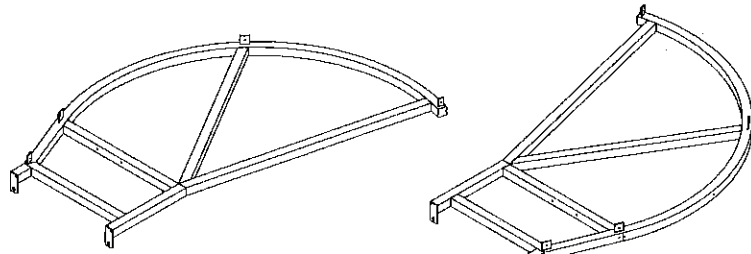
Product 6m Panoramic Team Shelter



Pack Contents

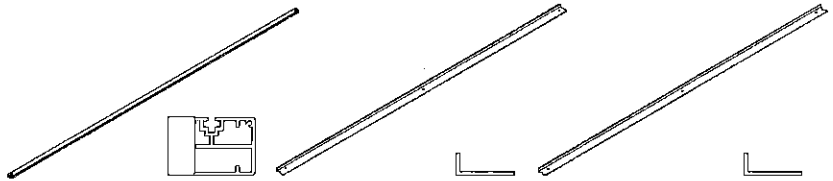
6m Panoramic Team Shelter

- 1. L/H Sideframe
- 2. R/H Sideframe
- 3. Crossbar
- 4a. L/H Crossbar Flashing
- 4b. Centre Crossbar Flashing
- 4c. R/H Crossbar Flashing
- 5. Horizontal Bottom Support
- 6. Horizontal Mid Support
- 7. Seat Support
- 8. Black L/H Panel
- 9. Black R/H Panel
- 10. Clear Side Panel
- 11a. Black L/H Back Panel
- 11b. Black Centre Back Panel
- 11c. Black R/H Back Panel
- 12. Seat Bench
- 13. Rear Panel Join
- 13a. Centre Rear Panel Join
- 14. L/H Panel Join
- 15. R/H Panel Join
- 16a. Clear Back Panel
- 16b. Centre Clear Back Panel
- 17. Outer Seal
- 18. Bot Inner Seal
- 19. Mid Inner Seal



1.
x1
PEP586 (FEP586)

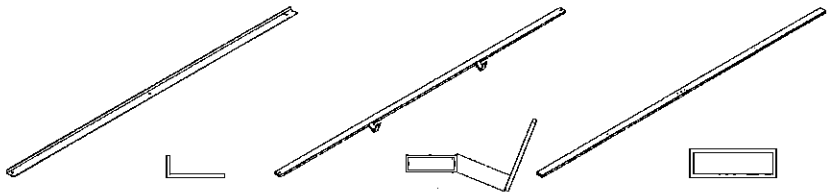
2.
x1
PEP587 (FEP586)



3.
x1
PEP742 (FEP740)

4a.
x1
PEP771 (FEP740)

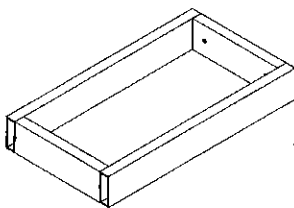
4b.
x1
PEP772 (FEP740)



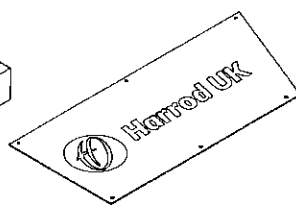
4c.
x1
PEP773 (FEP740)

5.
x1
PEP740 (FEP740)

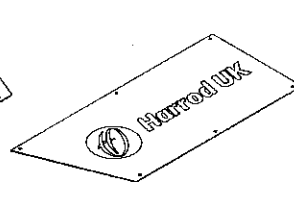
6.
x2
PEP762 (FEP762)



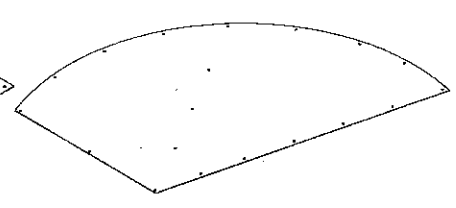
7.
x6
PEP580 (FEP553)



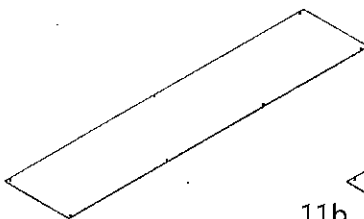
8.
x1
PCP104 (FEP587)



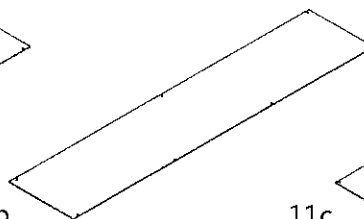
9.
x1
PCP105 (FEP587)



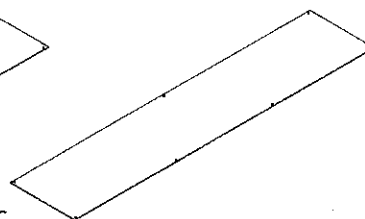
10.
x2
PLP550 (FEP590)



11a.
x1
PCP110 (FEP654)



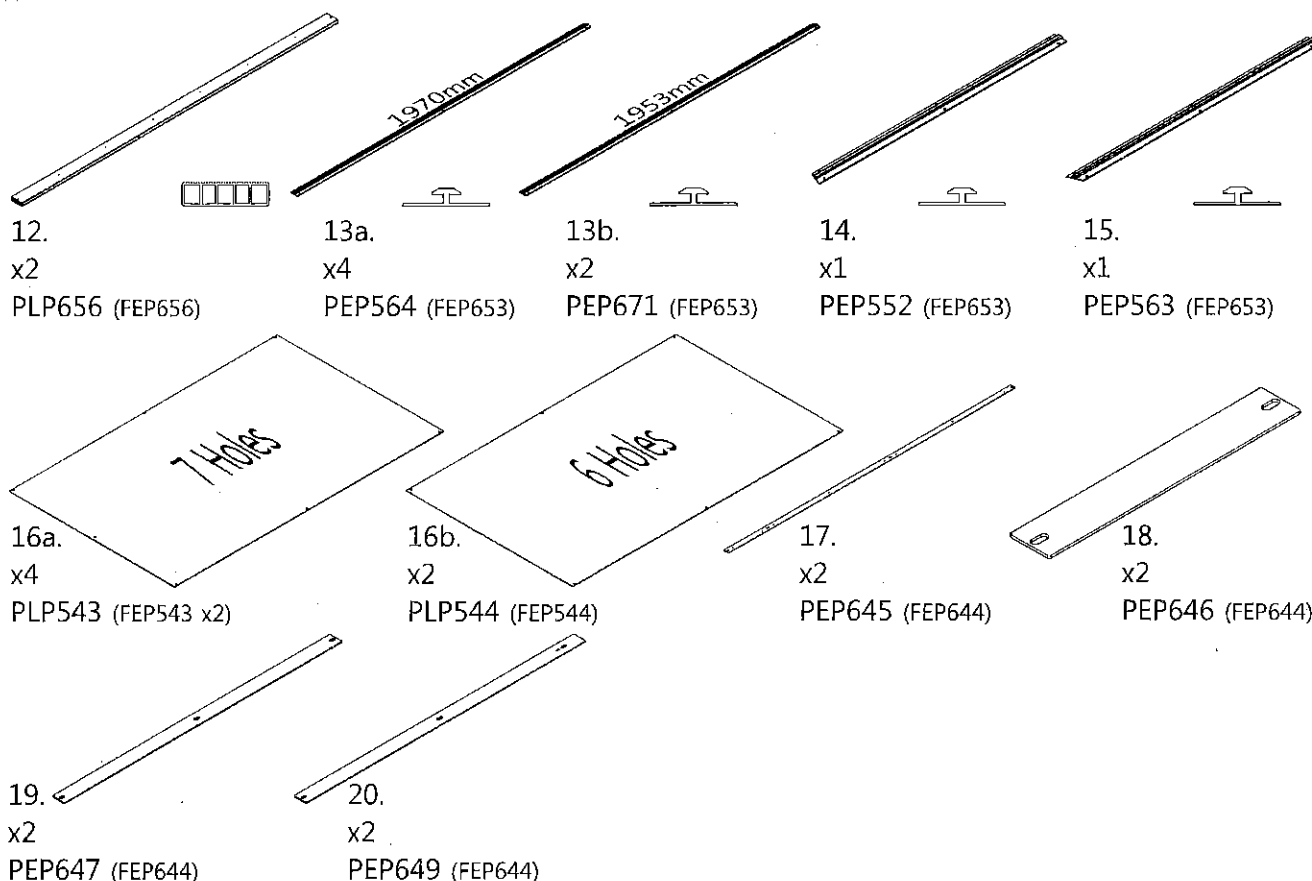
11b.
x1
PCP112 (FEP654)



11c.
x1
PCP111 (FEP654)

*parts are not to scale
**code in brackets refers to packed part number

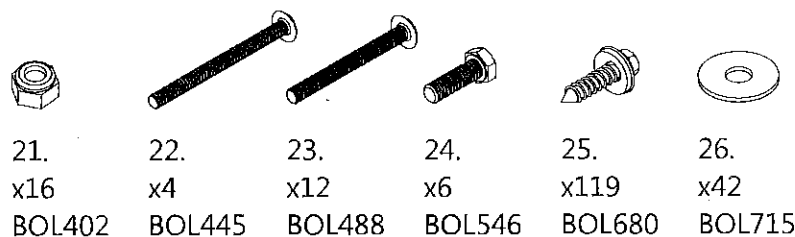
Pack Contents



Fittings Pack Contents

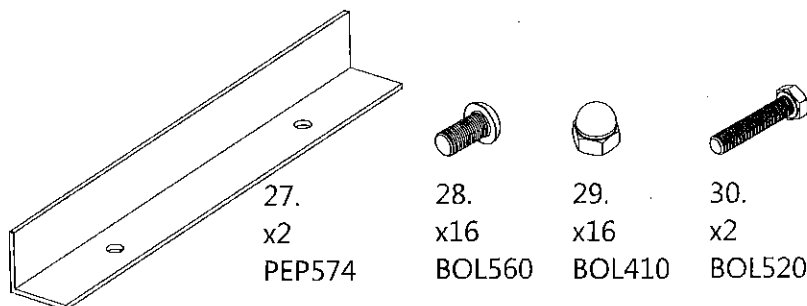
FPK106: 6m Shelter Fittings

- 21. M8 Nyloc Nut
- 22. M8x100mm Button Set Screw
- 23. M8x70mm Button Set Screw
- 24. M8x20mm Hex Set Screw
- 25. Ø6.3x25mm Self Tap Screw
- 26. M8x25mm Washer
- 27. Matt Black Seat End Cover
- 28. M8x16mm Button Set Screw
- 29. M8 Dome Nut
- 30. M8x40mm Hex Set Screw



Tools Required

- 1x 8mm Socket Drive
- 1x 13mm Spanner
- 1x 5mm Allen Key



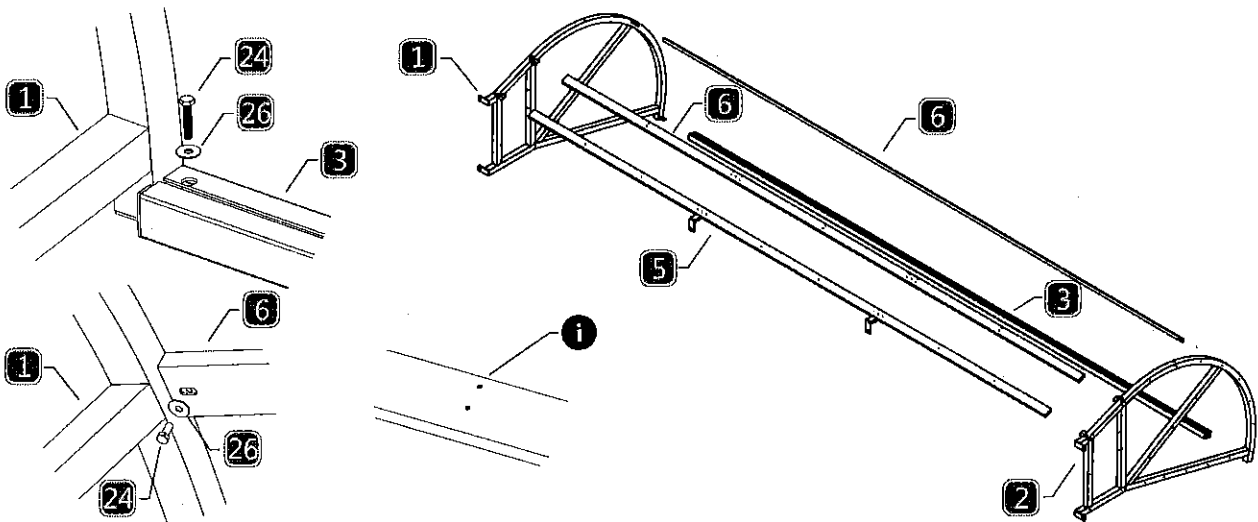
*parts are not to scale

Assembly Instructions

WARNING: Do **not** fully tighten screws unless instructed to do so.



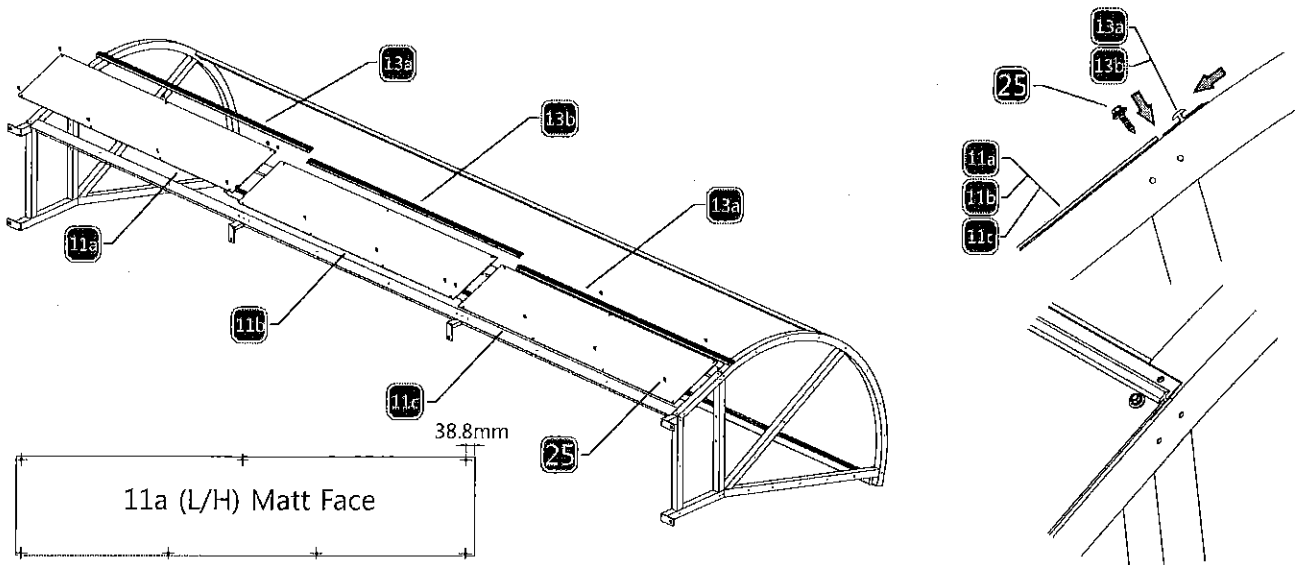
1 Stand the Sideframes (1,2) on their fronts with the fixing lugs facing inward. Join the two Sideframes by sliding the connecting lugs in the Bottom Horizontal Support (5), Horizontal Mid Supports (6) and Crossbar (3). Secure Crossbar using two M8x40mm Set Screws (30) and two M8x25mm Washers (26). Secure Bottom and Mid Horizontal Supports in place using six M8x20mm Set Screws (24) and six M8x25mm Washers (26).




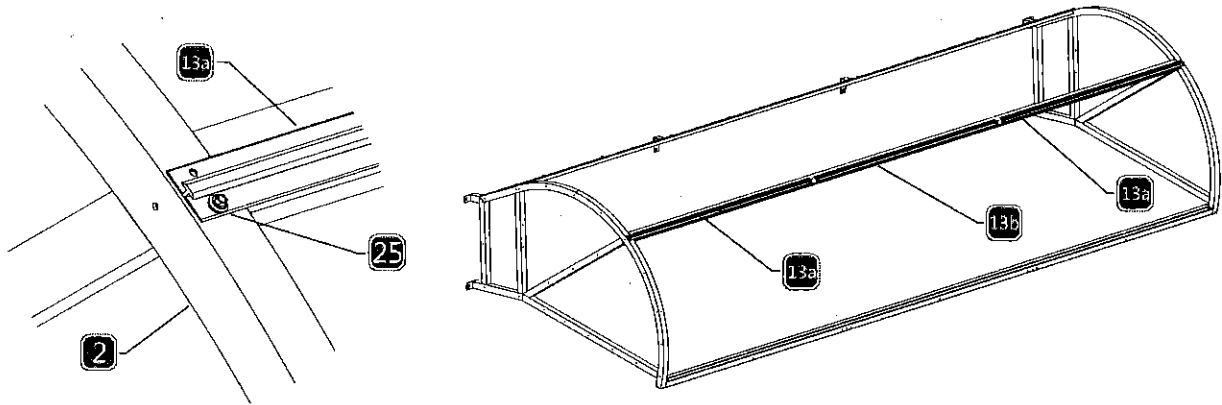
i IMPORTANT: Ensure the holes in the Horizontal Mid Supports are on the **outside**, towards the **top** of the shelter and the holes in the crossbar are orientated towards the **top** of the shelter as shown.




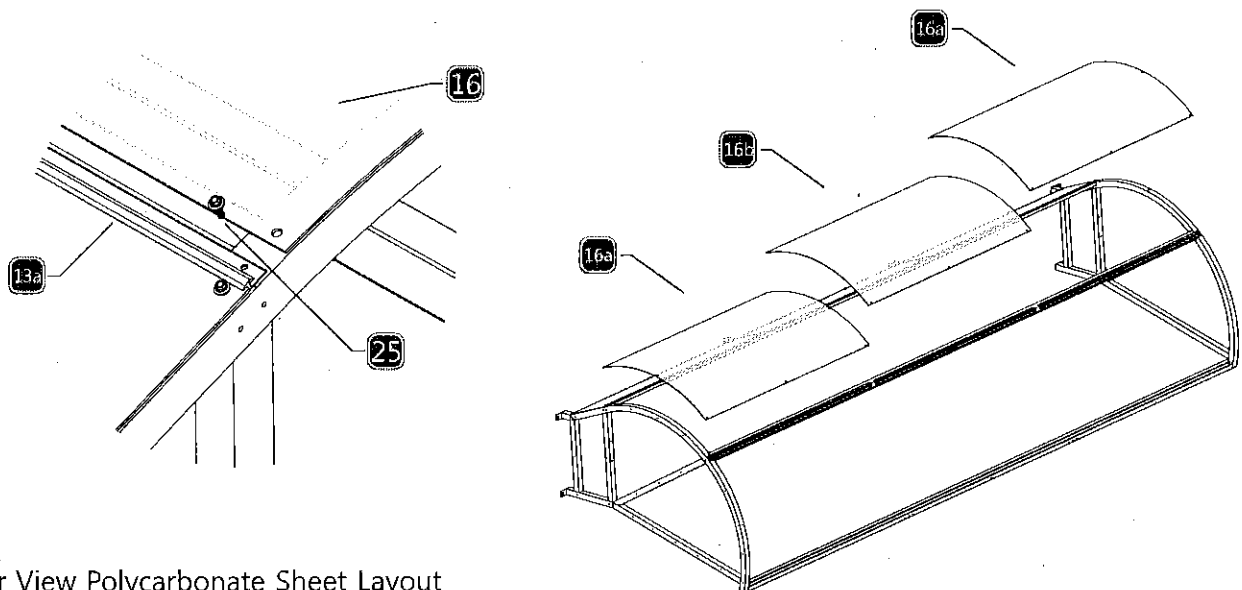
2 Secure the **bottom** of the L/H, Centre and R/H Black Back Panel (11a/11b/11c) to the Bottom Horizontal Support and Sideframes using four Ø6.3x25mm Self Tap Screws (25) per panel. Ensure the matt finished face is facing out. Slide the Rear Panel and Centre Rear Join (13a/13b) over the top of the Black Back Panels and secure to the Horizontal Mid Support using three Ø6.3x25mm Self Tap Screws.



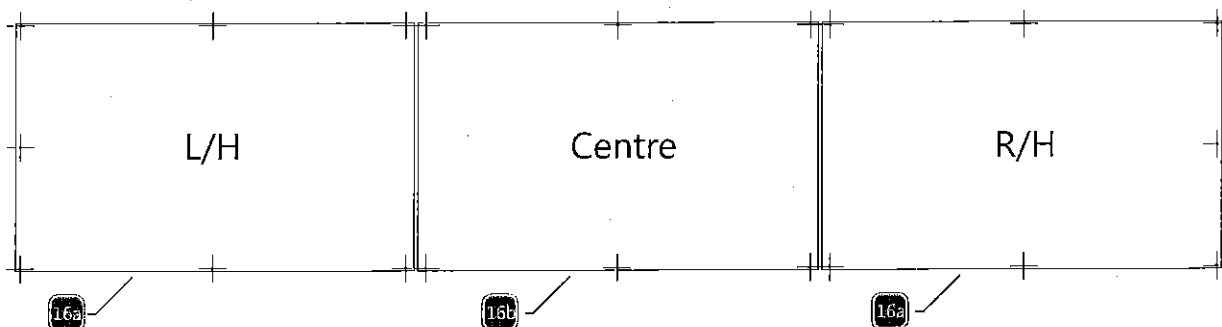
-  **3** Bolt the remaining Rear Panel Join to the second Horizontal Mid Support using three Ø6.3x25mm Self Tap Screws per Rear Panel Join. Ensure the bolts are screwed through the holes towards the top of the shelter.




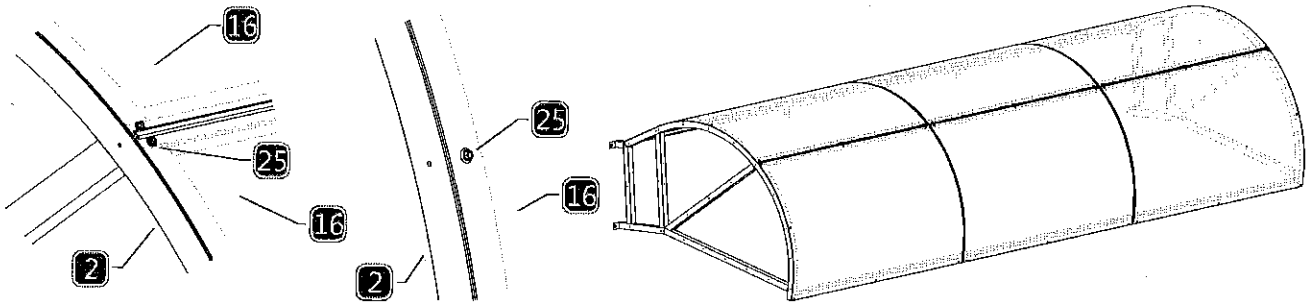
-  **4** Ensure that the panels are orientated as below from behind Shelter. Slot a Clear Back Panel into the top of the Rear Panel Join on the lower Horizontal Mid Support and secure loosely with three Ø6.3x25mm self tapping screws. Slot the Clear Back Panel into the Rear Panel Join on the upper Horizontal Mid Support and secure loosely with Ø6.3x25mm self tap screws. Repeat for all bottom panels.




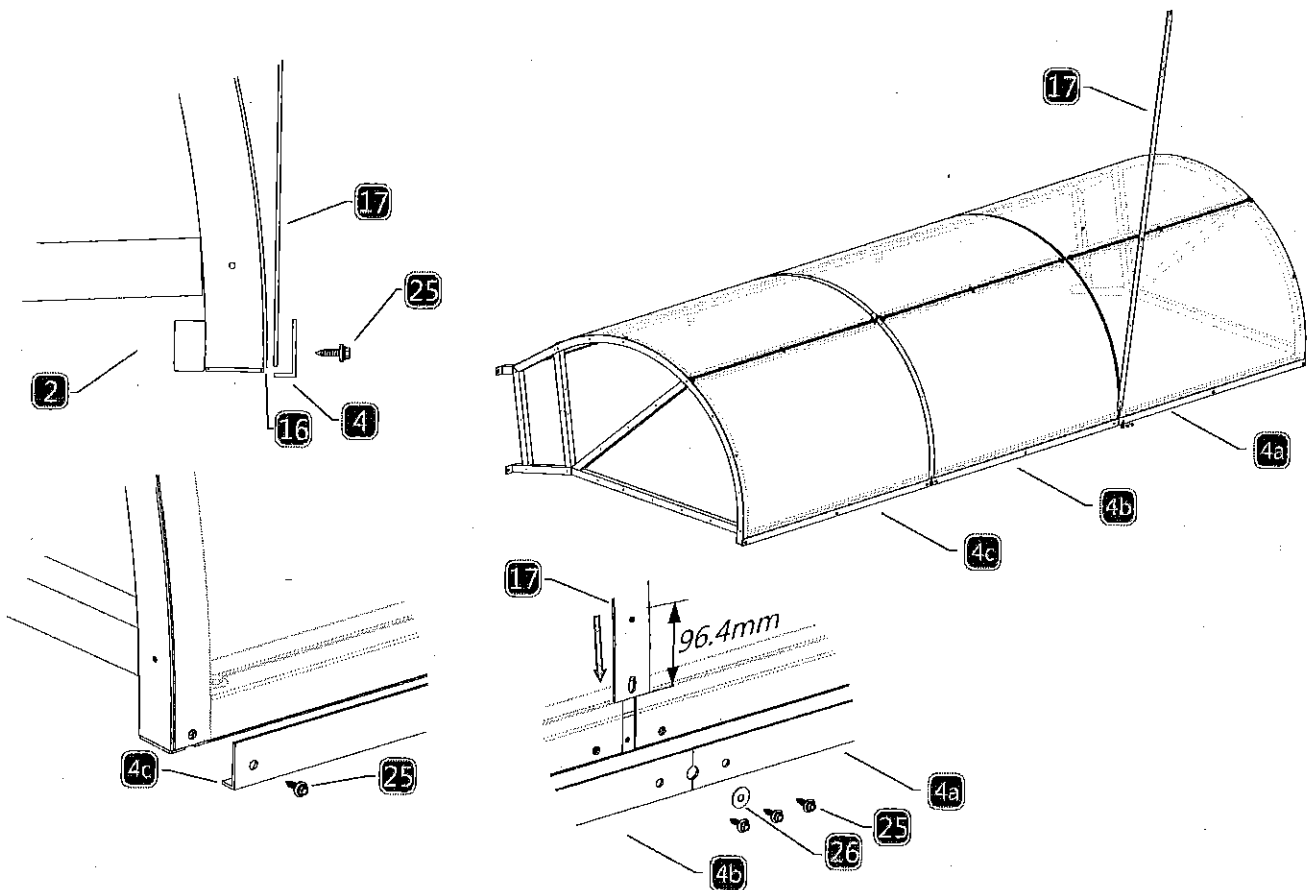
Rear View Polycarbonate Sheet Layout




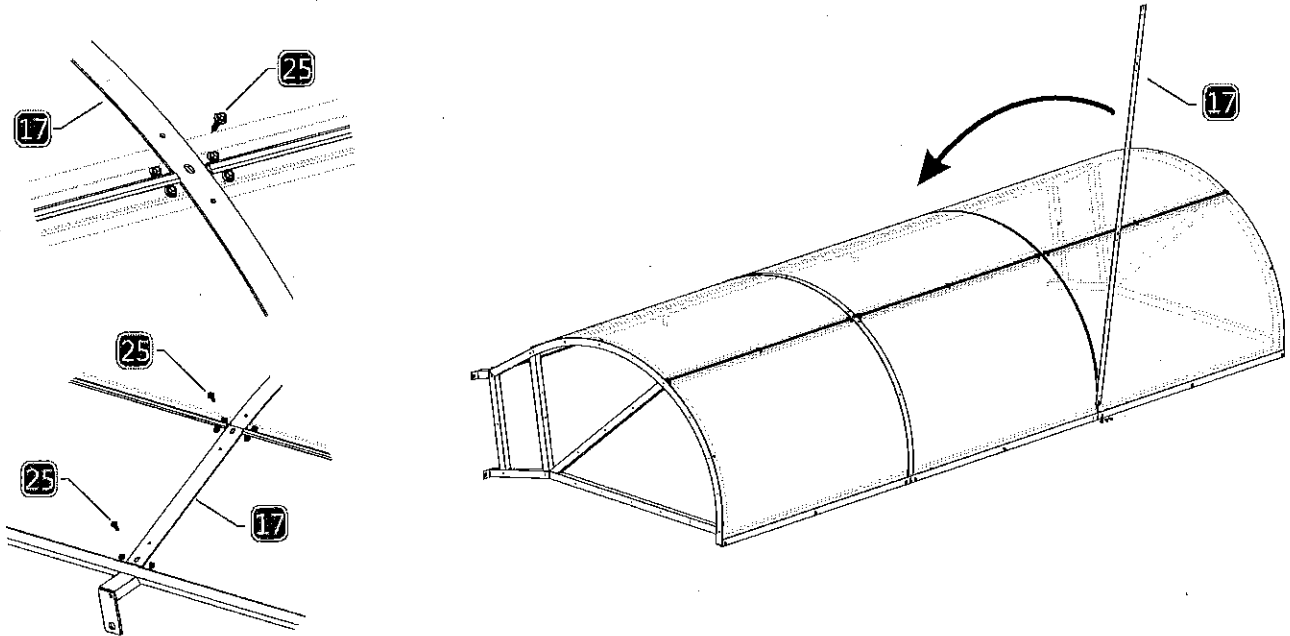
-  **5** Remove the three self tapping screws from the top of the Rear Panel Joins to insert the top Clear Back Panels. Repeat the first part of Step 4 to attach the remaining Rear Back Panels to the Shelter. **Do not** bolt the top Rear Back Panels to the Crossbar. Loosely bolt the Clear Back Panels to the Sideframes using $\text{Ø}6.3 \times 25\text{mm}$ self tap screws.





-  **6** Secure the L/H, Centre and R/H Crossbar Flashing (4a,4b,4c), to the top Clear Back Panels and Crossbar with three Self Tapping Screws, leaving the two notches clear. Sandwich the top of the Outer Seal (17) in between the Crossbar Flashing and the top Clear Back Panels. Secure the Outer Seal to the notches in the Crossbar Flashing and Crossbar and secure with a $\text{Ø}6.3 \times 25\text{mm}$ Self Tap Screw and M8x25mm Washer (26). Repeat for the second Outer Seal.

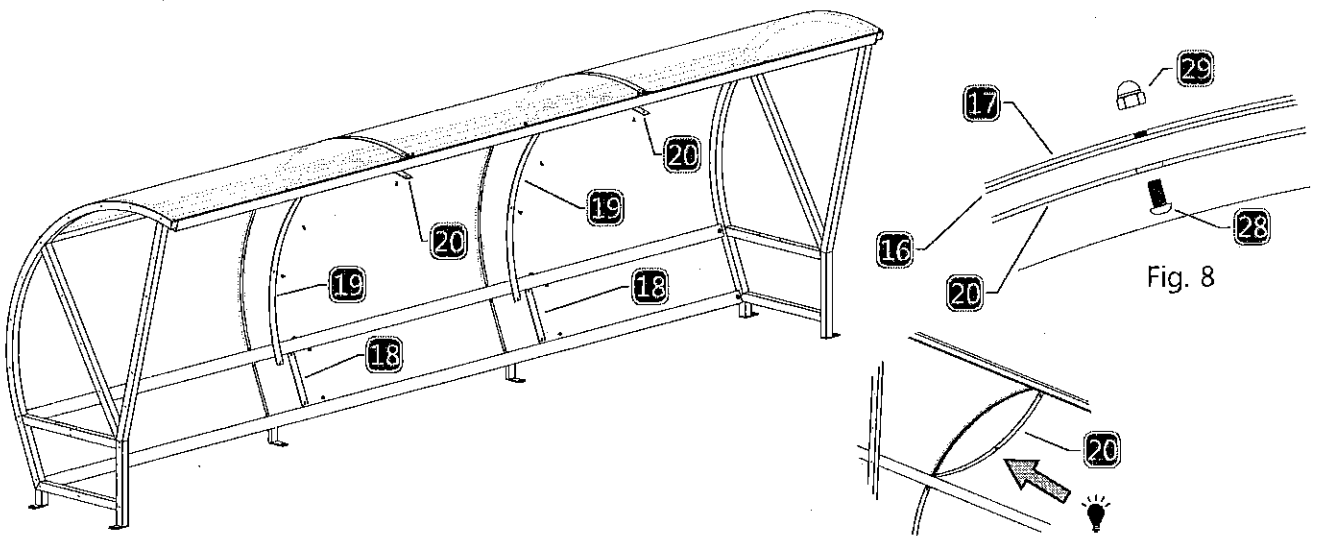



 **7** Form the Outer Seal over the Shelter and secure to each Horizontal Support loosely using Ø6.3x25mm Self Tapping Screws. Repeat for the second Outer Seal.





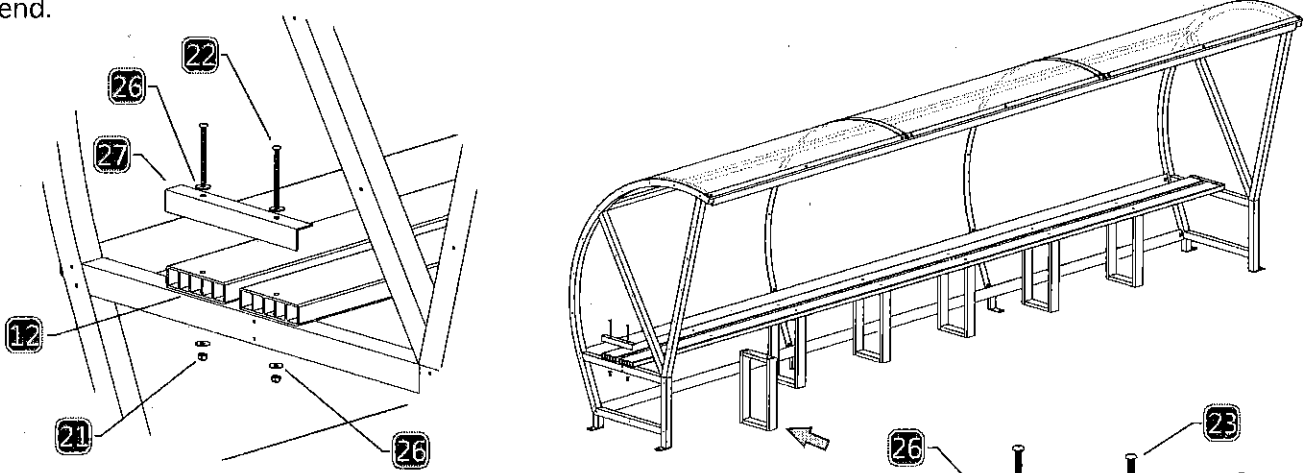
 **8** Stand the Shelter upright. From inside the Shelter, attach the Bottom (18), Mid (19) and Top (20) Inner Seals to the Outer Flashing using M8x16mm Button Set Screws (28), sandwiching the Rear Back Panels. Once all Seals are in place, push out from inside the shelter to create a good seal, and tighten the M8x16mm Button Set Screws. Fully tighten all Screws and Bolts. Screw the M8 Dome Nuts (29) to the M8x16mm Button Set Screws from the outside.



 **IMPORTANT:** Check for the debossed letter 'T' on item 20. This end needs to be closest to the Crossbar

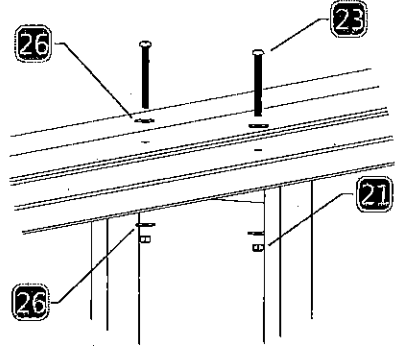



 **HINT:** To fit the inner flashing, bend it out from the panels allowing it to fit between the horizontal supports. Then push the middle of the flashing, snapping it into position.

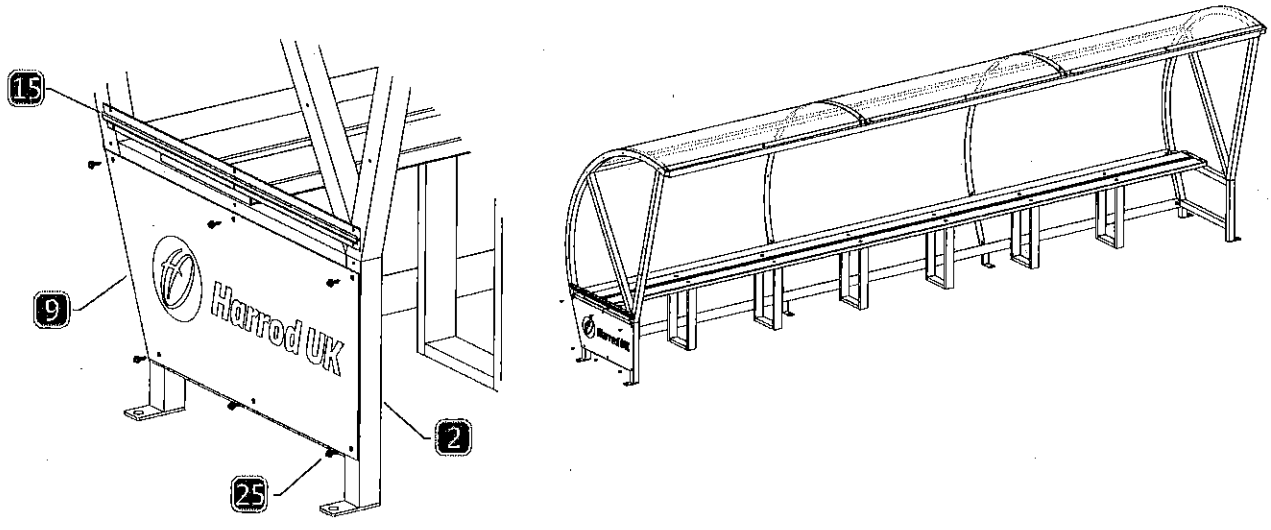
-  **9** Place the Seat Benches (12) on the horizontal strut of the Sideframe. Slide the Seat Supports (7) under the Seat Benches and align holes. Cover ends with the Seat End Covers (27) and secure using two M8x100mm Button Set Screws (22), four M8x25mm Washers and two M8 Nyloc Nuts (21) at each end.
- 



-  **10** Secure Seat Supports to the Seat Benches using two M8x70mm Button Set Screws (23), four M8x25mm Washers and two M8 Nyloc Nuts per Seat Support.
- 



-  **11** Using three Ø6.3x25mm Self Tap Screws, loosely attach the Black R/H Panel (9) to the R/H Sideframe through the bottom three holes. Slot the R/H Panel Join (15) onto the Black R/H Panel and secure with three Ø6.3x25mm Self Tap Screws.



Code SHE-106

Product 6m Panoramic Team Shelter



12 Fix a Clear Side Panel (10) to the R/H Panel Join and using nineteen Ø6.3x25mm Self Tap Screws. Fully tighten all screws in the R/H Sideframe. Repeat steps 9 and 10 for the left hand side.

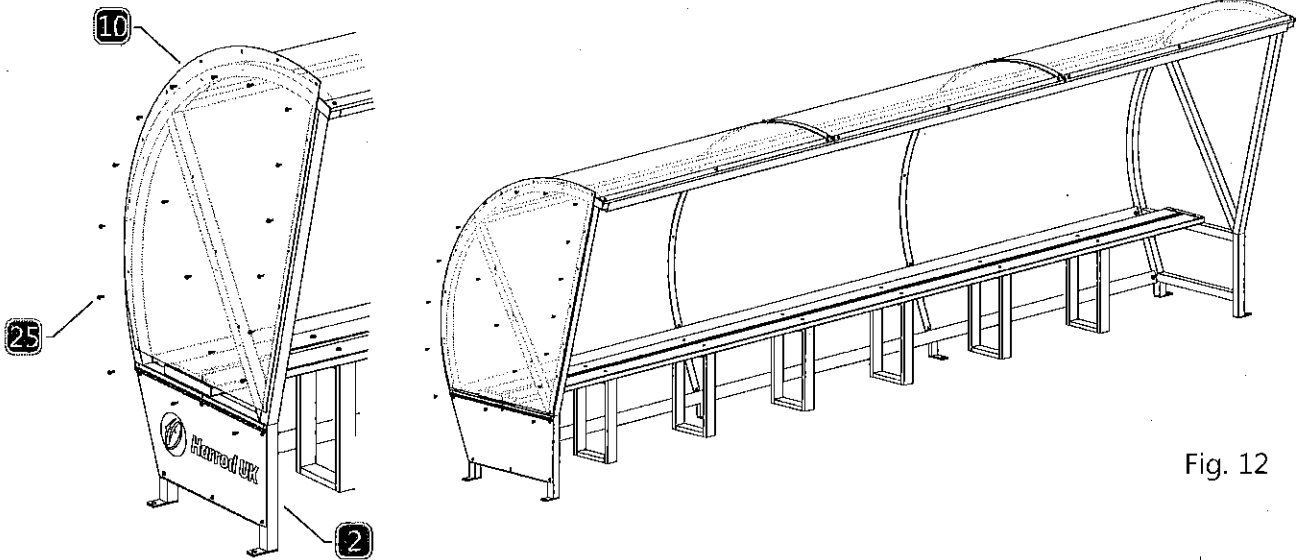
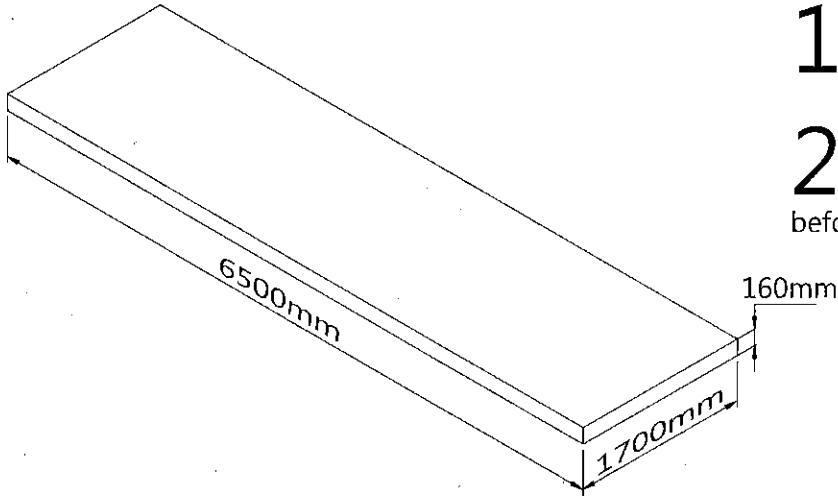


Fig. 12

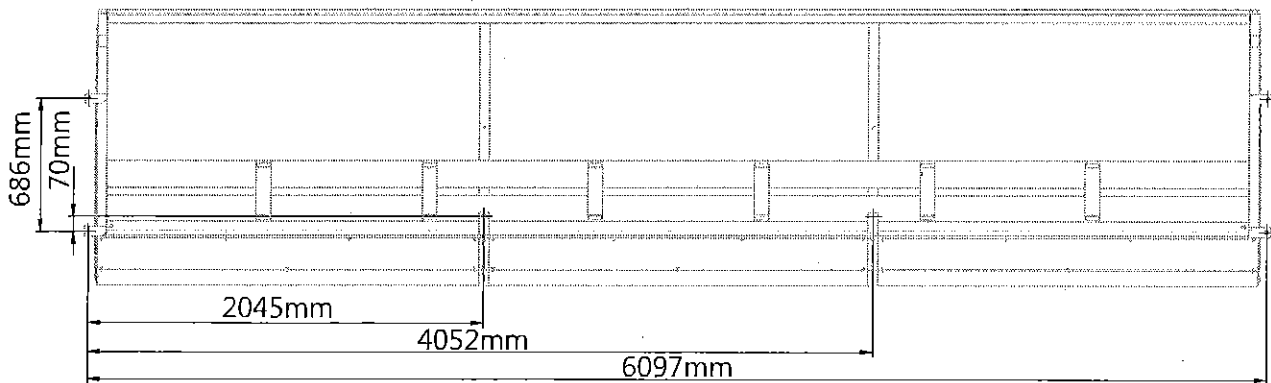
Foundation Installation



- 1 Dig a hole to the dimensions shown.
- 2 Fill the hole with concrete and level. Wait until the concrete is fully cured before fixing down the shelter.

Hole Centres

Place the Shelter in position and mark out the hole centres through the fixing lugs in the Sideframes.



Alternative anchoring options;
ANC-025: Chemi-Bolt Set per 7