

Pack Contents

VOL-175: Sportset Beach Volleyball

1. 1 x Beach Volleyball Top Winder Upright (FEP532)
2. 1 x Beach Volleyball Top Dummy Upright (FEP533)

- 1 x Beach Volleyball Bottom Uprights (contains) (FEP534)**
3. 2 x Beach Volleyball Bottom Upright (PEP534)
- 1 x Sportset Beach Volleyball Fittings (contains) (FPK534)**
4. 2 x M10x25mm Handwheel (BOL338)
 5. 6 x Clamcleat CI223 Loop Cleat (BOL949)

- 1 x Sportset Beach Volleyball Net (contains) (BOD176)**
6. 1 x 8.5x1m Beach Volleyball Net (BOD176)
 7. 1 x Beach Volleyball Antennae in Sheath (pair) (VOL-036)
 - 1 x Beach Volleyball Layout Guide Rope (RPP534)

8. 2 x Turf Ground Screw Socket (BAR-030)

1 x Winder Handle (included with Top Winder Upright)

9. 1 x 3/8" Speed Brace (FAS006)
10. 1 x 3/8" Universal Joint Socket (BOL172)

View of Product

Tools Required

- 1 x Scissors (for unpacking)-
- 1 x Turf Screw Insertion Tool
- (Please contact your distributor and quote part number BAR-031)
- 1 x Mallet

Optional Extras:

VOL-177: City Beach Volleyball Ground Socket

For use in dry sand conditions

BAR-033: Turf Screw Ground Removal Tool

For use during turf surface installation

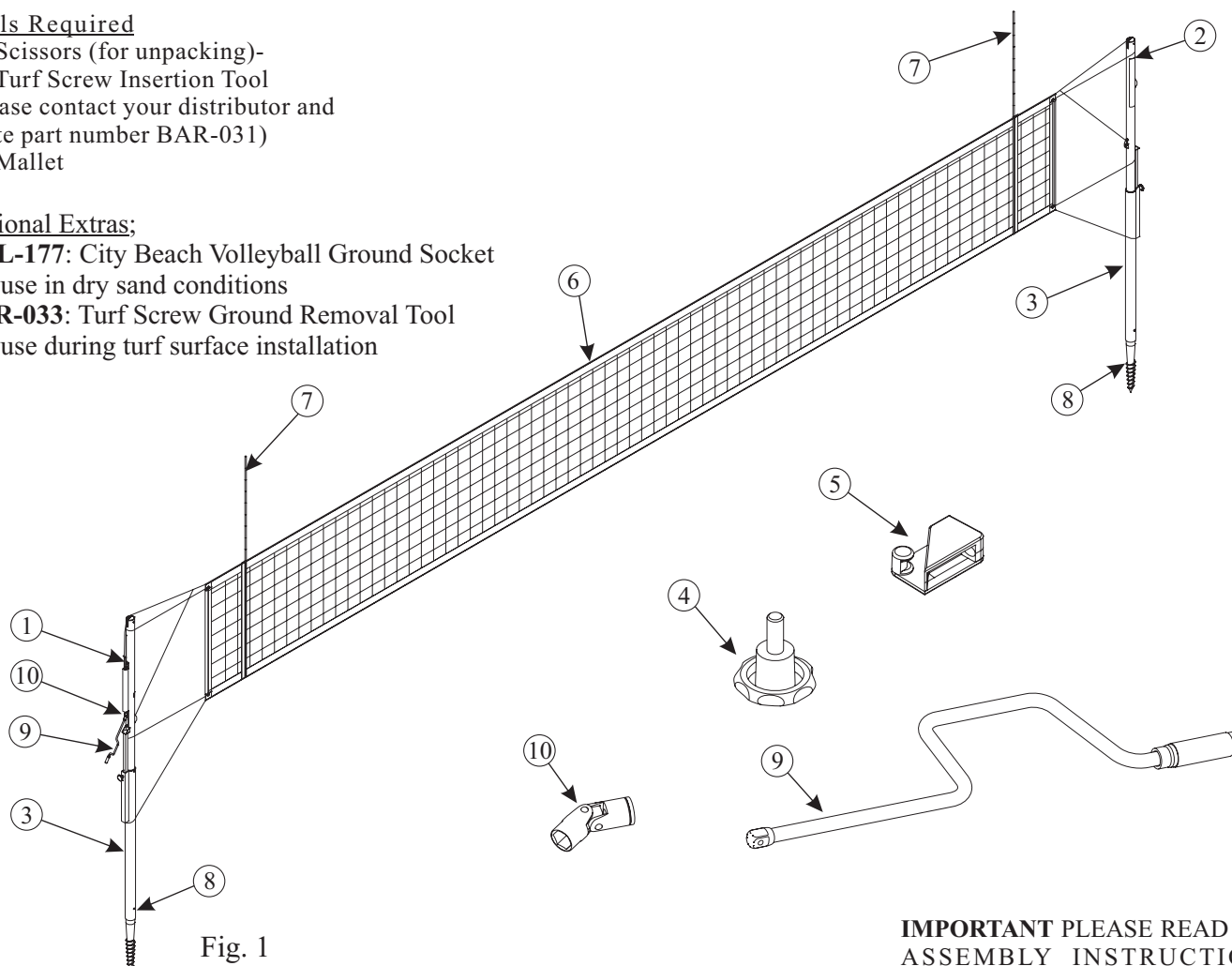


Fig. 1

IMPORTANT PLEASE READ THE ASSEMBLY INSTRUCTIONS CAREFULLY BEFORE STARTING TO ASSEMBLE YOUR POSTS

Assembly Instructions

Turf Screw Installation

Beach Installation

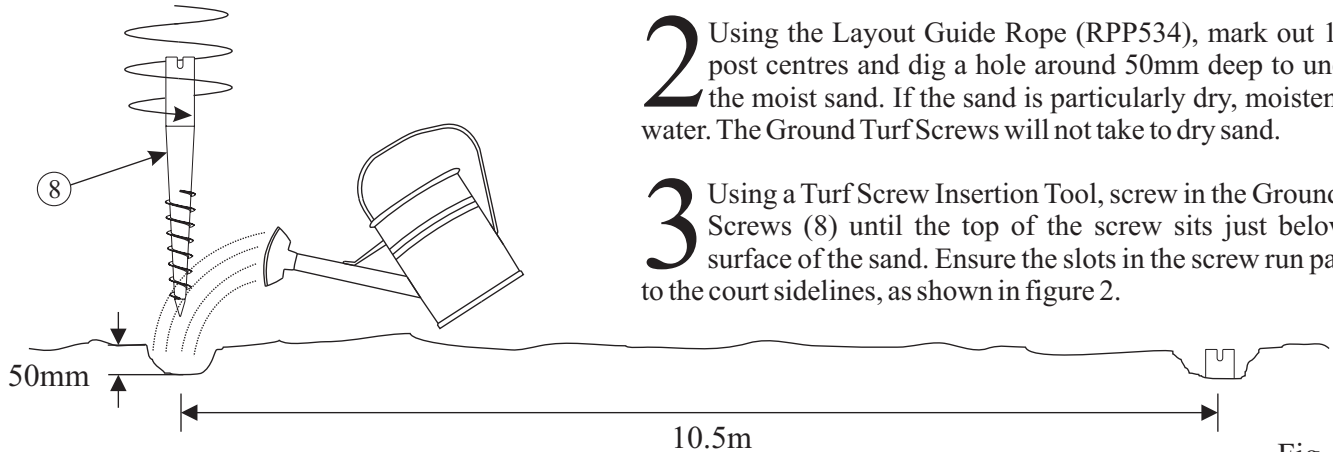


Fig. 2

1 Using scissors (Do not use a knife), remove all the packaging and identify the parts using the Pack Contents and figure 1 overleaf.

2 Using the Layout Guide Rope (RPP534), mark out 10.5m post centres and dig a hole around 50mm deep to uncover the moist sand. If the sand is particularly dry, moisten with water. The Ground Turf Screws will not take to dry sand.

3 Using a Turf Screw Insertion Tool, screw in the Ground Turf Screws (8) until the top of the screw sits just below the surface of the sand. Ensure the slots in the screw run parallel to the court sidelines, as shown in figure 2.

Turf Installation

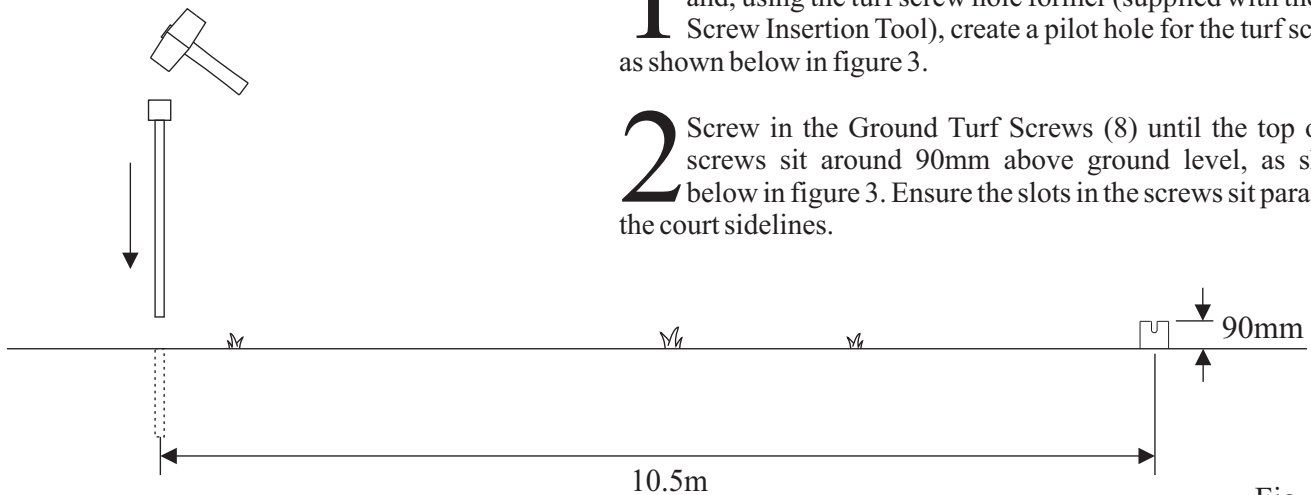


Fig. 3

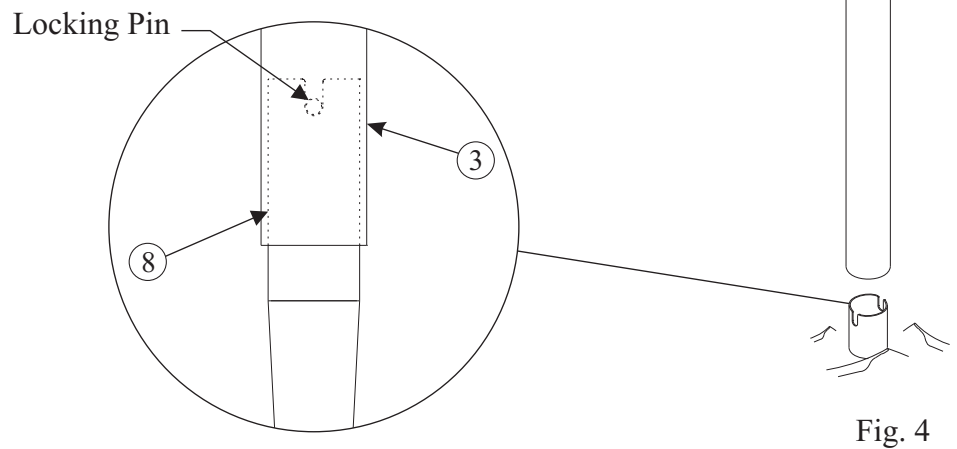
1 Using the Layout Guide Rope, mark out 10.5m post centres and, using the turf screw hole former (supplied with the Turf Screw Insertion Tool), create a pilot hole for the turf screws, as shown below in figure 3.

2 Screw in the Ground Turf Screws (8) until the top of the screws sit around 90mm above ground level, as shown below in figure 3. Ensure the slots in the screws sit parallel to the court sidelines.

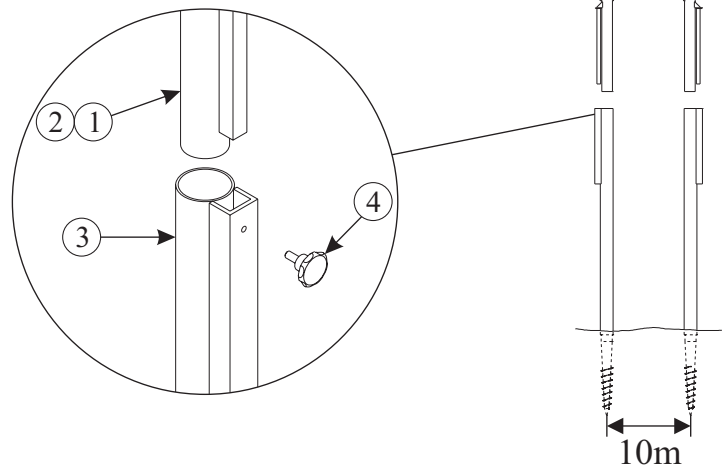
3 Excavate the turf/soil from around the turf screws to a depth of around 40mm. A Turf Screw Ground Removal Tool is available as an optional extra. Please contact your distributor and quote part number BAR-033.

Post Set Up

1 Place the bottom uprights (3) over the Ground Turf Screws. With the channel facing away from the court, ensure the locking pin fits into the slot in the Ground Screw as shown in figure 4.



2 Slide the Top Winder (1) and Top Dummy (2) uprights into the Bottom Uprights, ensuring the box tube on the Top Uprights locates inside the channel on the Bottom Uprights. Screw the M10x25mm Handwheels (4) into the tapped hole in the channel on the Bottom Uprights, DO NOT tighten the Handwheels at this stage.



Net Assembly

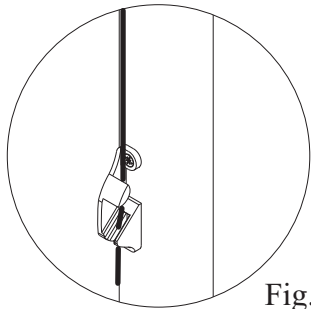
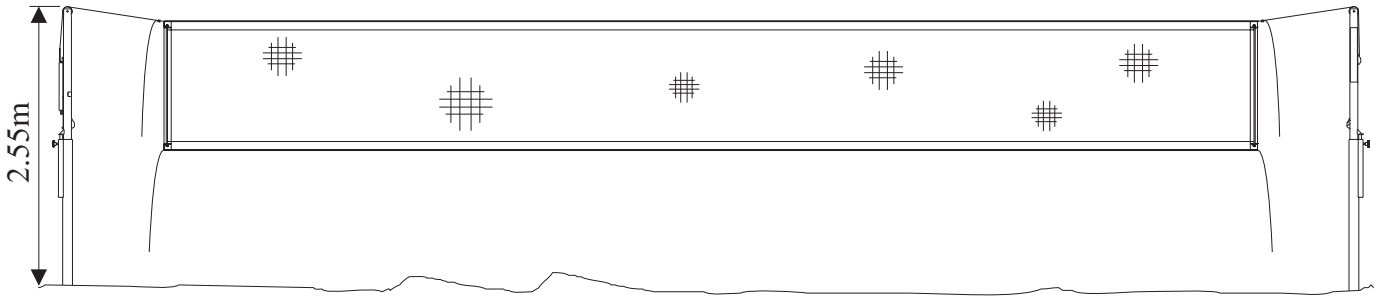


Fig. 6a

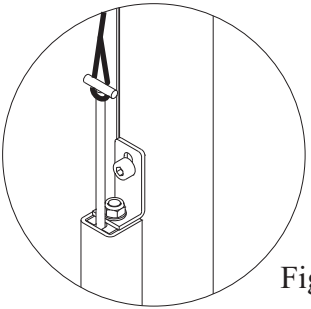
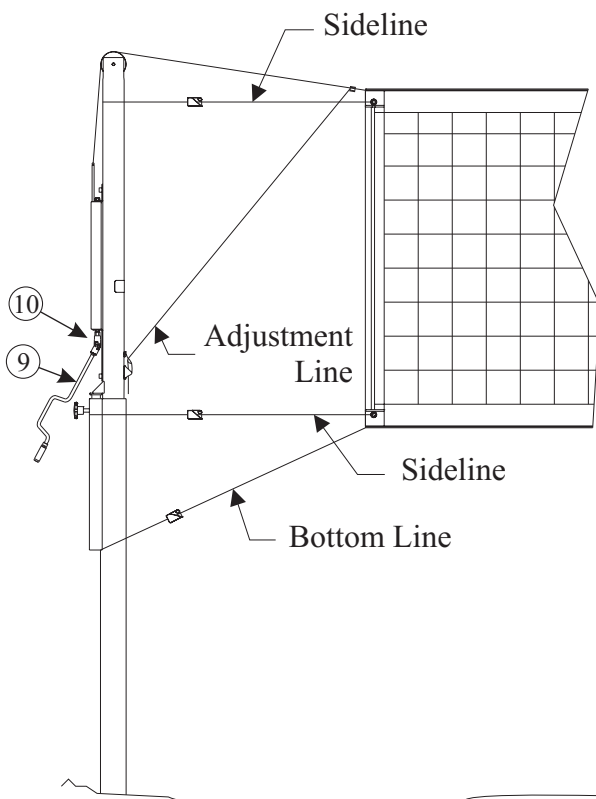


Fig. 6b

1 Insert the headline wire of the Volleyball Net (6) into the Clamcleat on the outside of the dummy end and tie the opposite end to the 'T' point of the Winder, as shown in figures 6a and 6b. Ensure the headline sits inside the pulley grooves.

2 Before tensioning the net, lift the top uprights using the handles until the top of the pulley measures 2.55m from ground level. Secure the Top Uprights in position by tightening the M10 Handwheels previously inserted into the Bottom Uprights.



3 Using the Speed Brace and Universal Joint (9 & 10), winch the headline until taught. Feed the adjustment rope through the cleat on the inside of the uprights and pull down the net until regulation height is achieved. As shown in figure 7.

4 Tie one end of each of the sidelines (supplied with net) to the eyelets in the net. Feed the opposite end through a Clamcleat (5) and wrap around the upright in the positions shown in figure 7. Feed the lines back through the Clamcleat as shown in figure 7a and pull taught until the desired net shape is achieved.

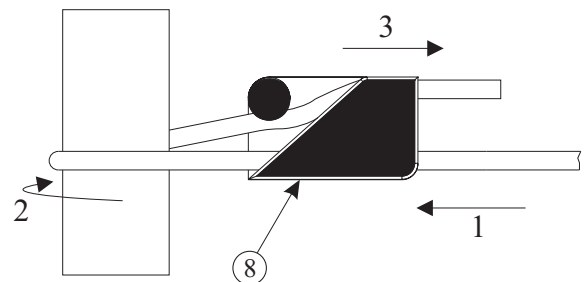


Fig. 7a

Fig. 7

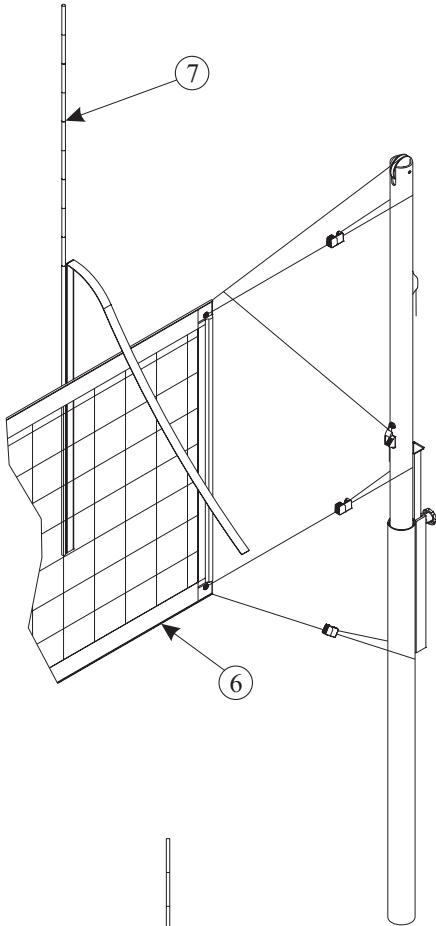
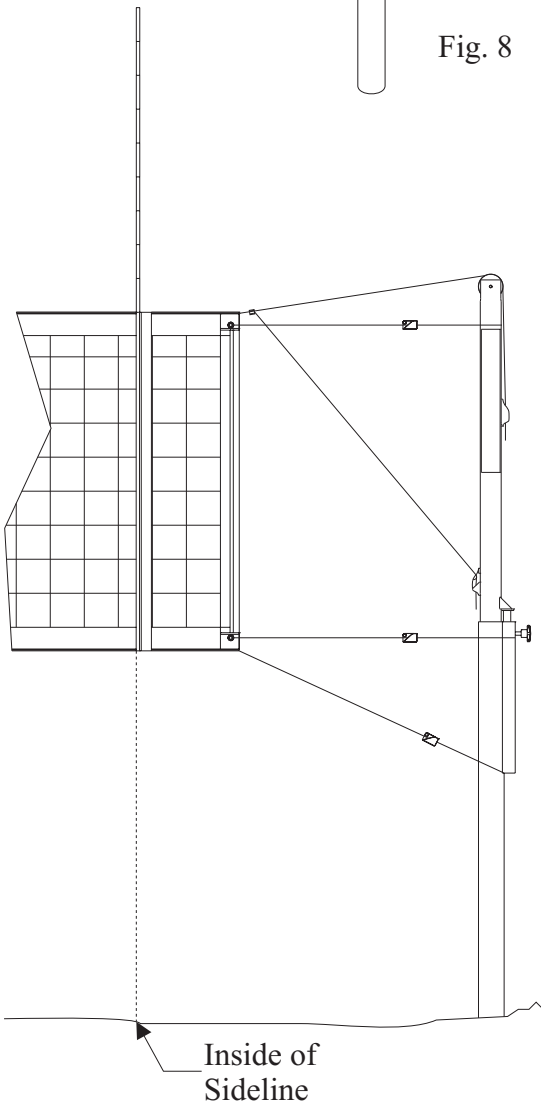


Fig. 8

5 Take the Antennae and Sheath and insert the red and white antennae into the sheath and connect it to the rod inside the sheath.

6 Pull back the velcro strap on the sheath and loop it over the top of the net, as shown in figure. Re-attach the velcro within the holes in the mesh.



7 Ensure the inside of the antennae lies in the same plane as the inside of the sideline, as shown in figure 9.

Fig. 9