

# Pack Contents

## Wheel Fittings

Fittings for the wheels will be included with the wheels, please refer to the Instructions included in FPK321.

### Note:

Image shown details FBL-437

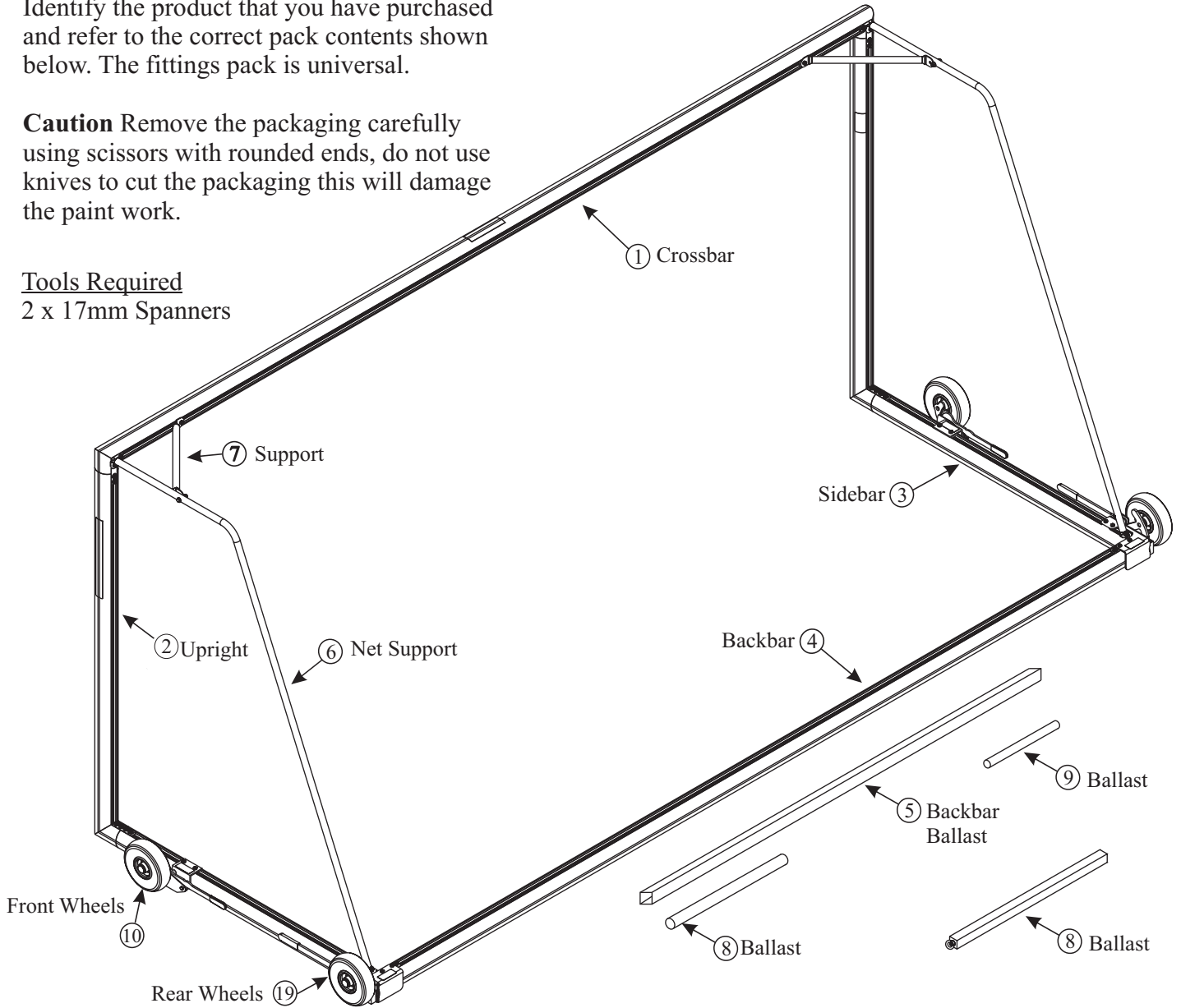
**IMPORTANT PLEASE READ THE ASSEMBLY INSTRUCTIONS CAREFULLY BEFORE STARTING TO ASSEMBLE YOUR GOAL**

Identify the product that you have purchased and refer to the correct pack contents shown below. The fittings pack is universal.

**Caution** Remove the packaging carefully using scissors with rounded ends, do not use knives to cut the packaging this will damage the paint work.

### Tools Required

2 x 17mm Spanners



Product	Size	① Crossbar	② Upright	③ Sidebar	④ Backbar	⑤ BB Box	⑥⑦ Supports	⑧ Ballast	⑨ Ballast	⑩ Wheels	⑪ Wheels
FBL-435	7.32x2.44m	2 FEP360	2 FEP284	2 FEP142	2 FEP487	2 FEP845	2 FEP519	4 FEP392		1 FPK321	2 FPK264
FBL-436	6.4x2.13m	2 FEP361	2 FEP286	2 FEP191	2 FEP820	2 FEP813	2 FEP520	4 FEP392	1 FEP761	1 FPK321	2 FPK264
FBL-437	4.88x2.13m	2 FEP378	2 FEP286	2 FEP467	2 FEP581	2 FEP031	2 FEP629	8 PEP900		1 FPK321	2 FPK264
FBL-438	4.88x1.83m	2 FEP378	2 FEP288	2 FEP197	2 FEP581	2 FEP031	2 FEP550	4 FEP070		1 FPK321	1 FPK322
FBL-439	3.66x1.83m	2 FEP363	2 FEP288	2 FEP197	2 FEP490	2 FEP728	2 FEP550	4 FEP392		1 FPK321	1 FPK322
FBL-440	5x2m	2 FEP396	2 FEP291	2 FEP227	2 FEP996	2 FEP666	2 FEQ097	4 FEP392	4 FEP070	1 FPK321	2 FPK264
FBL-441	3x2m	2 FEP407	2 FEP406	2 FEP227	2 FEP783	2 FEP657	2 FEP097	4 FEP392		1 FPK321	2 FPK264
FBL-445	4.88x1.22m	2 FEP378	2 FEP290	2 FEP826	2 FEP581	2 FEP031	2 FEQ293	4 FEP070		1 FPK321	
FBL-446	3.66x1.22m	2 FEP363	2 FEP290	2 FEP826	2 FEP490	2 FEP728	2 FEQ293	4 FEP392		1 FPK321	
FBL-447	2.44x1.22m	2 FEP354	2 FEP290	2 FEP826	2 FEP513	2 FEP507	2 FEQ293	4 FEP070		1 FPK321	
FBL-730	6x2.1m	2 FEP798	2 FEP836	2 FEP191	2 FEP786	2 FEP848	2 FEP874	6 FEP392		1 FPK321	2 FPK264

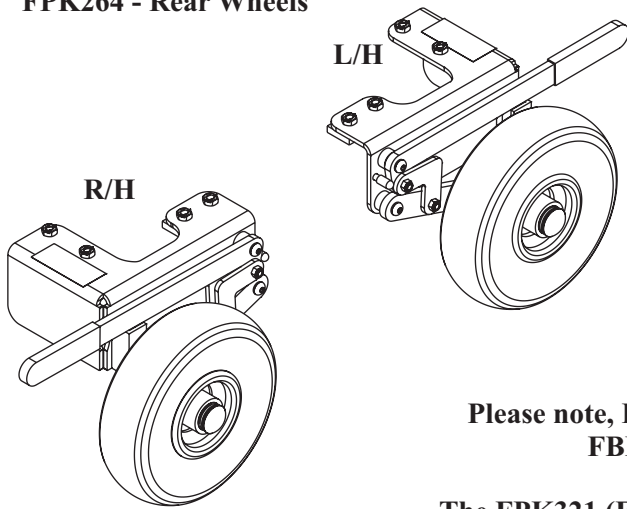
**Code:** FBL-435/436/437/438/439/440/441/445/446/447

This product is protected by © Copyright and Design Right Harrod UK Ltd 2013.

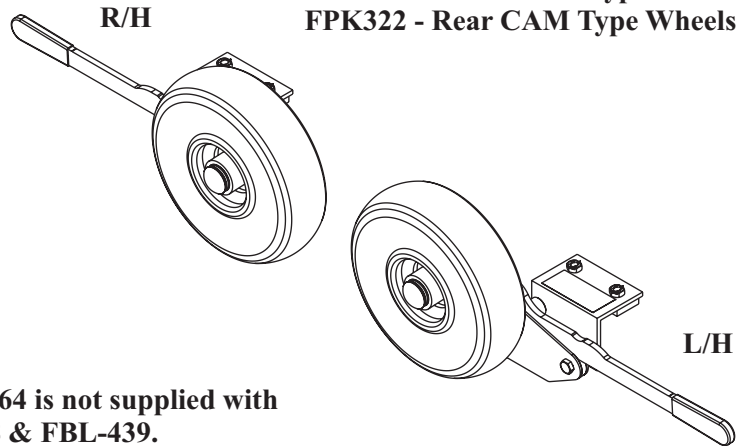
**Product:** 3G Weighted Portagoal

## Detailed Wheel Views

**FPK264 - Rear Wheels**



**FPK321 - Front CAM Type Wheels  
FPK322 - Rear CAM Type Wheels**

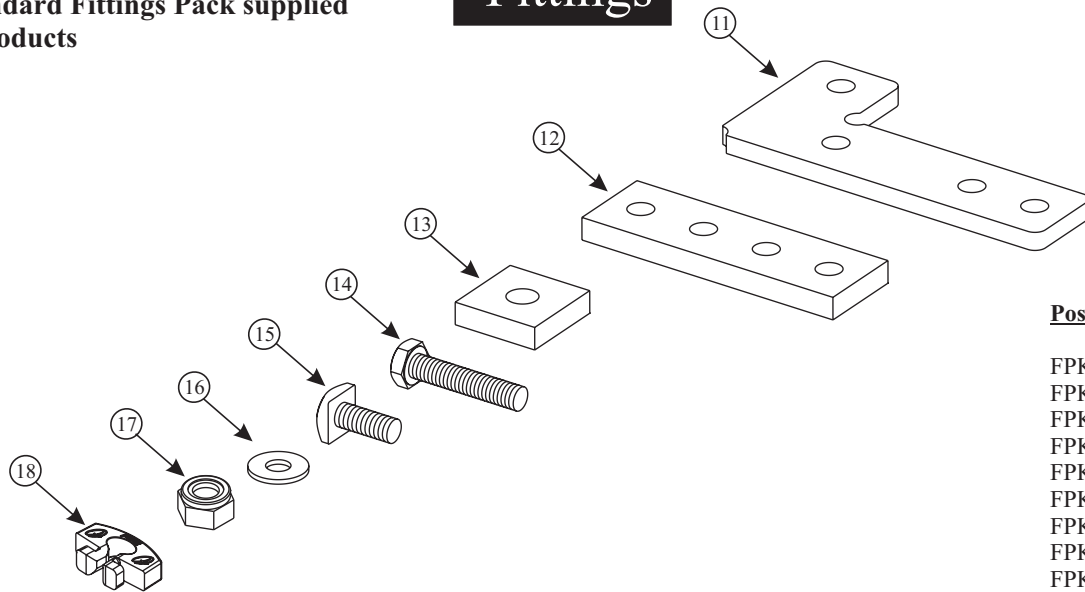


Please note, FPK264 is not supplied with FBL-438 & FBL-439.

The FPK321 (Front) & FPK322 (Rear) CAM wheels are installed on these goals

1 off - Standard Fittings Pack supplied with all Products

## Fittings



### Post Hook Quantities

FPK365 - 50 Per Pack  
 FPK366 - 60 Per Pack  
 FPK368 - 42 Per Pack  
 FPK369 - 100 Per Pack  
 FPK372 - 72 Per Pack  
 FPK375 - 75 Per Pack  
 FPK376 - 86 Per Pack  
 FPK377 - 90 Per Pack  
 FPK378 - 62 Per Pack

Product	FPK Part No	ASY Part No	⑪ L-Plate	⑫ Joining Plate	⑬ Spacer	⑭ Hex Bolt	⑮ Square Bolt	⑯ Washer	⑰ Nylock	⑱ Post Hook
FBL-435	1 FPK435	2 ASY435	4 PEP416	2 PEP299	2 APP150	2 BOL306	26 BOL336	26 BOL709	24 BOL202	2 FPK369
FBL-436	1 FPK436	2 ASY435	4 PEP416	2 PEP299	2 APP150	2 BOL306	26 BOL336	26 BOL709	24 BOL202	2 FPK377
FBL-437	1 FPK437	2 ASY435	4 PEP416	2 PEP299	2 APP150	2 BOL306	26 BOL336	26 BOL709	24 BOL202	2 FPK375
FBL-438	1 FPK438	2 ASY200	4 PEP416	2 PEP299	2 APP150	2 BOL306	26 BOL336	30 BOL709	28 BOL202	2 FPK372
FBL-439	1 FPK439	2 ASY200	4 PEP416	2 PEP299	2 APP150	2 BOL306	26 BOL336	30 BOL709	28 BOL202	2 FPK378
FBL-440	1 FPK437	2 ASY435	4 PEP416	2 PEP299	2 APP150	2 BOL306	26 BOL336	26 BOL709	24 BOL202	2 FPK375
FBL-441	1 FPK441	2 ASY435	4 PEP416	2 PEP299	2 APP150	2 BOL306	26 BOL336	26 BOL709	24 BOL202	2 FPK366
FBL-445	1 FPK439	2 ASY200	4 PEP416	2 PEP299	2 APP150	2 BOL306	26 BOL336	30 BOL709	28 BOL202	2 FPK378
FBL-446	1 FPK446	2 ASY200	4 PEP416	2 PEP299	2 APP150	2 BOL306	26 BOL336	30 BOL709	28 BOL202	2 FPK365
FBL-447	1 FPK447	2 ASY200	4 PEP416	2 PEP299	2 APP150	2 BOL306	26 BOL336	30 BOL709	28 BOL202	2 FPK368
FBL-730	1 FPK440	2 ASY435	4 PEP416	2 PEP299	2 APP150	2 BOL306	26 BOL336	26 BOL709	24 BOL202	2 FPK376

## Assembly Instructions

Please Note: For safety reasons, It is recommended that two or more people assemble this goal and it should take 45mins.

**Sidebar and Backbar** - Lay the Sidebars and Backbar out as shown in Fig 1 and insert the Ballast Box into the Backbar so that it is inset 192mm. insert the Ballast into both ends of the Box (Ballast quantities, sizes and shapes vary depending on Goal size, so insert equal amounts into each goal taking care to identify the differing lengths).

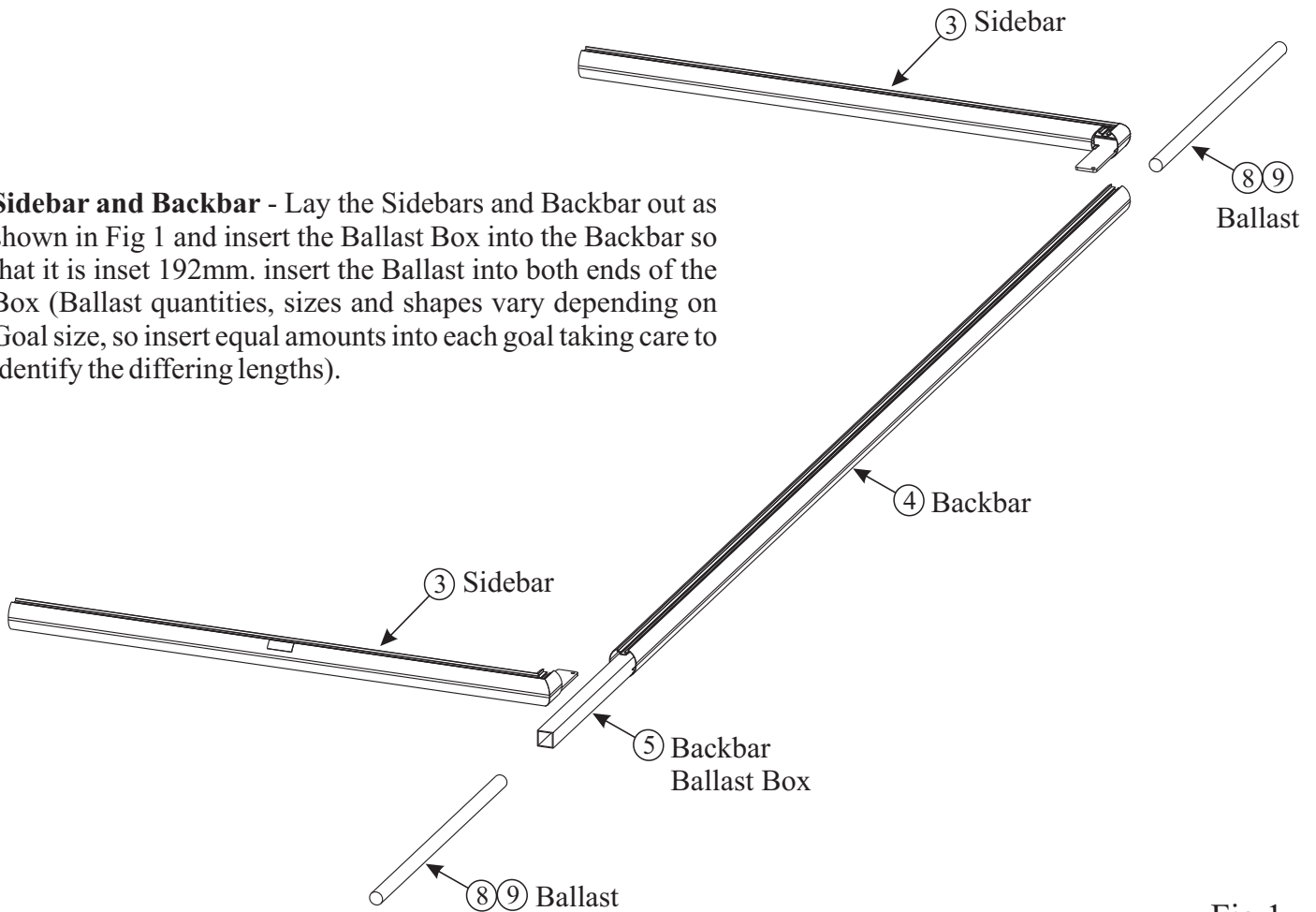
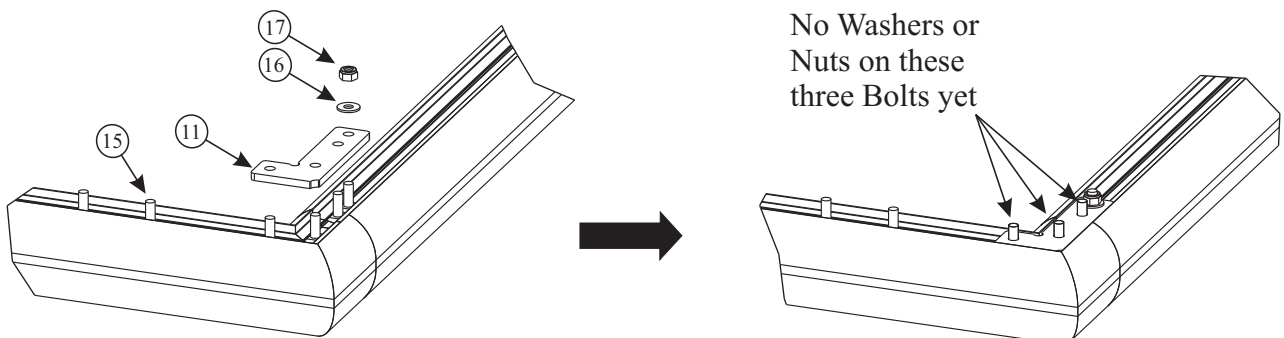


Fig 1

Fix the Sidebars to the Backbar as shown in Fig 2.



**Important** - Insert an additional 4 Square Head Bolts (item 15) from the Wheel Fittings Pack into each Sideframe, these will be used later for the Wheels.

Fig 2

**Crossbar, Uprights and Net Supports** - Lay the Crossbar and Uprights out as shown in Fig 3 and place the Net Support and Support Brace close by.

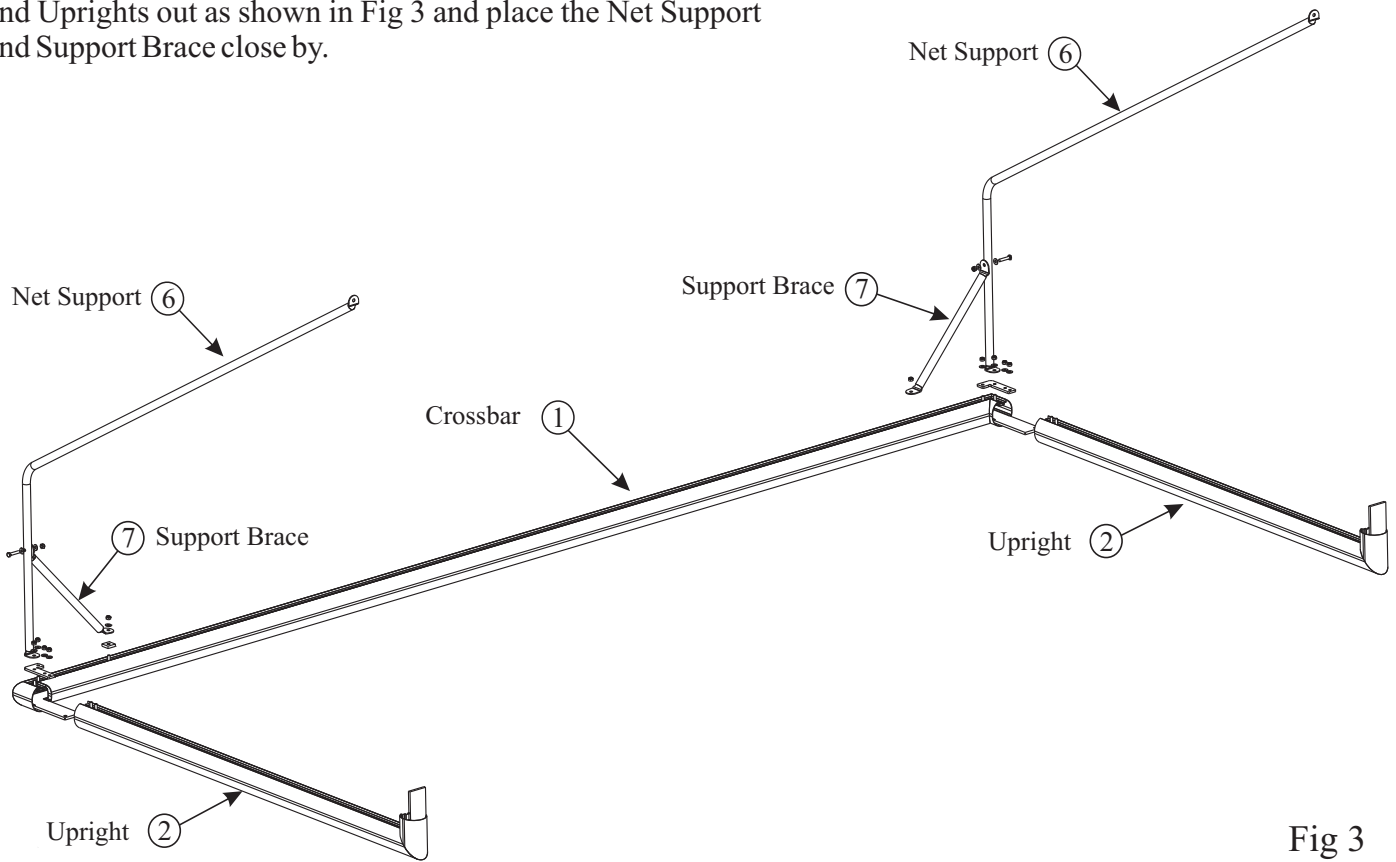
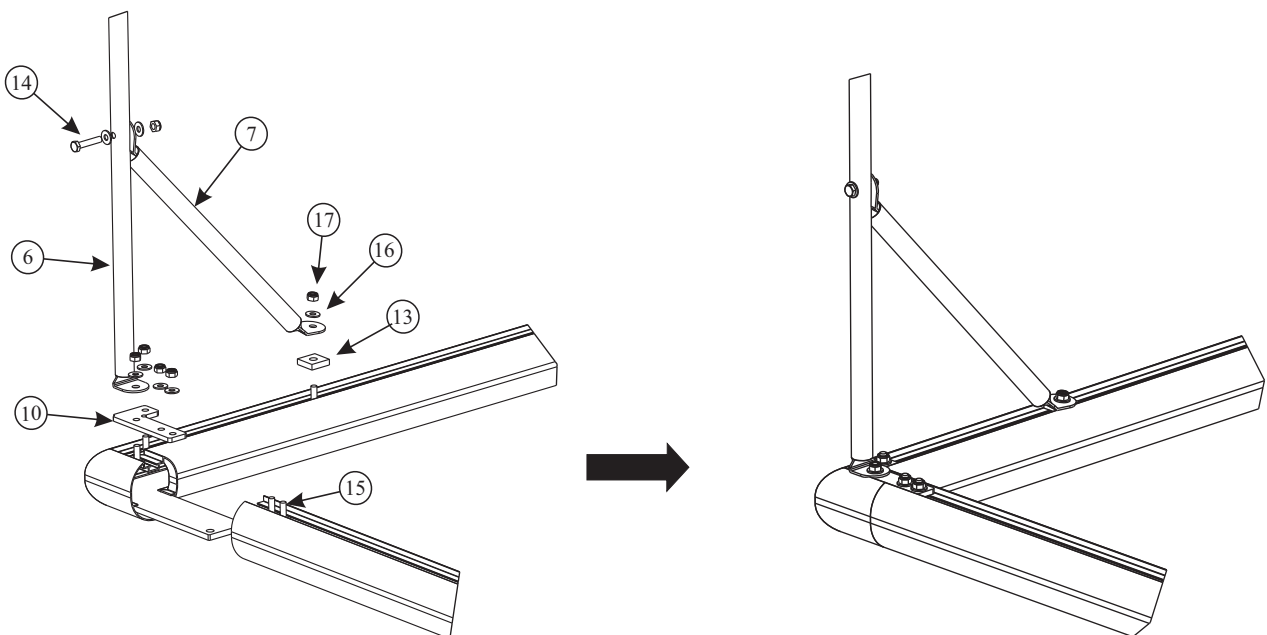


Fig 3

Fix the Uprights to the Crossbar as shown in Fig 4.



**Tip** - Someone will need to hold the Net Support in position while all the Bolts are being secured.

Fig 4

**Fit Joining Plates to Sidebar** - Loosely fit the Joining Plates (item 12) to the end of the Sidebars, as shown in Fig 5. Check that the additional 4 Square Head Bolts have also been slid into the section ready for the Wheels fitted later.

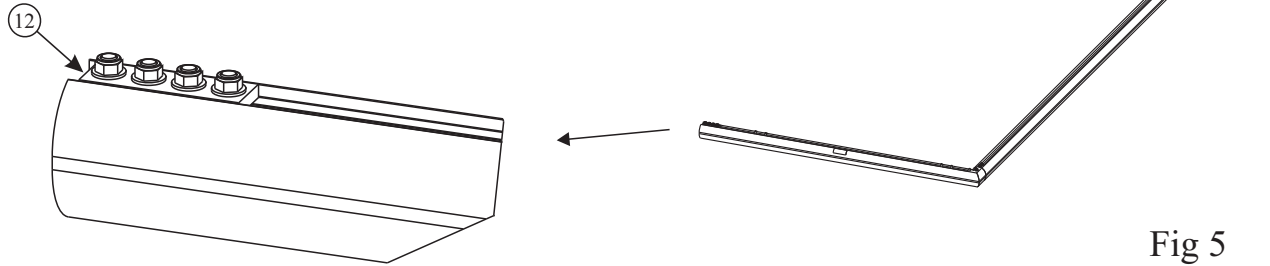


Fig 5

**Join the Uprights to the Sidebars** - 2 people are required to lift the Upright (with Crossbar and Net Supports attached) into the vertical position and slide the plates into the slot in the Sidebar, as shown in Figs 6 & 7.

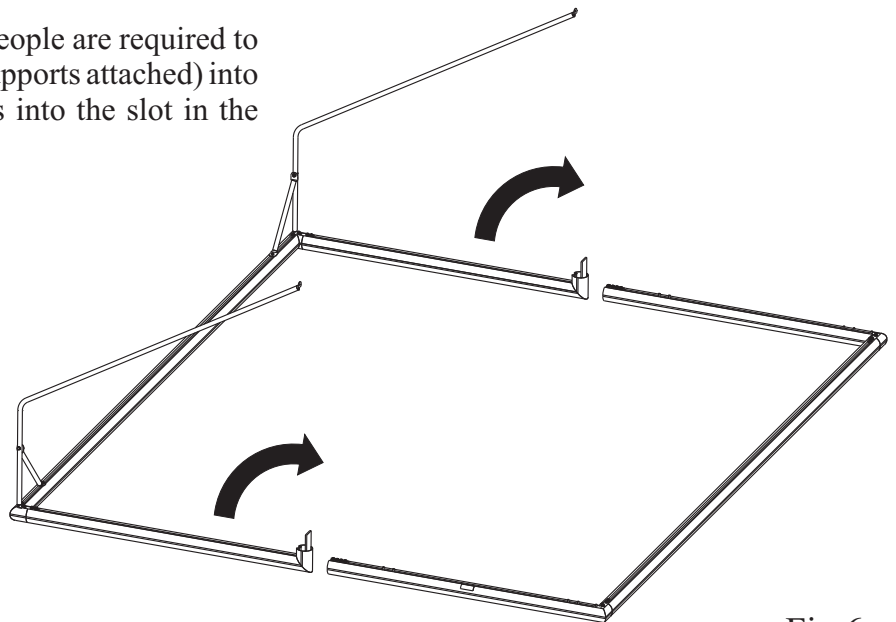


Fig 6

Once the Uprights have been slid into the Sidebar; slide and position the Joining Plate centrally over the join and secure the Bolts.

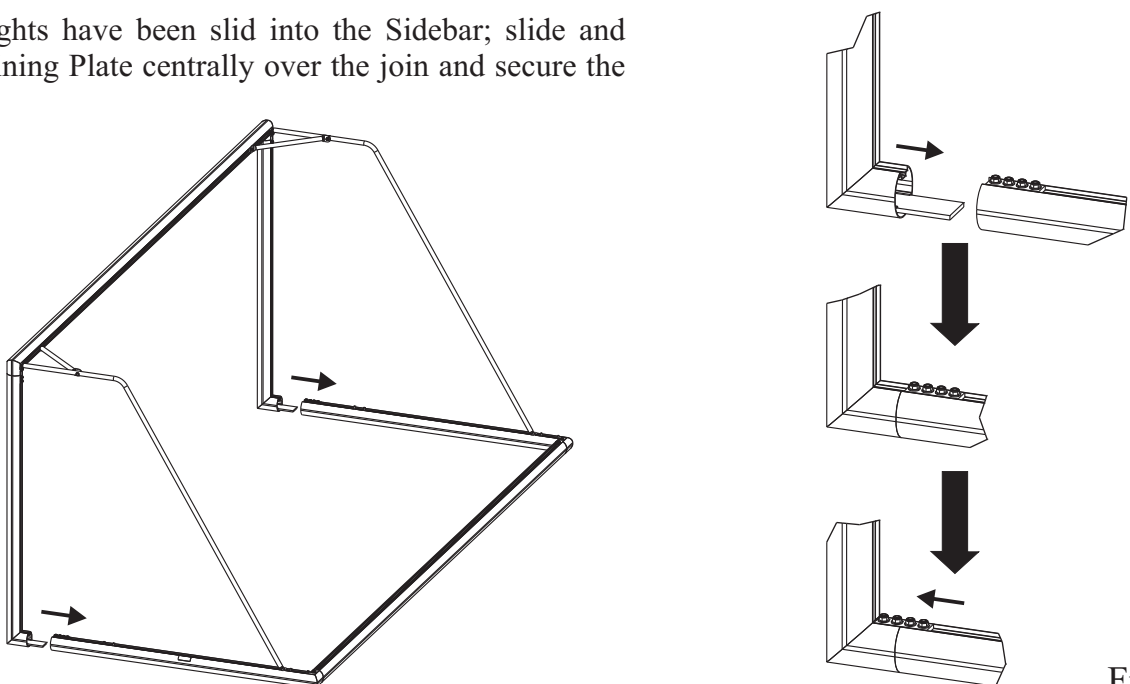


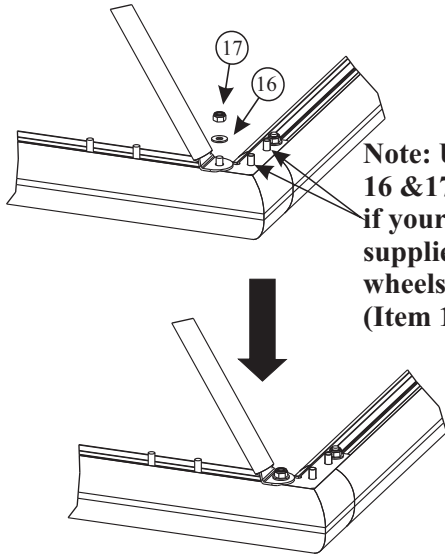
Fig 7

**Code:** FBL-435/436/437/438/439/440/441/445/446/447

This product is protected by © Copyright and Design Right Harrod UK Ltd 2013.

**Product:** 3G Weighted Portagoal

**Secure the Net Support to the Backbar** - Loosely secure the bottom of the Net Support to the Bolt as shown in Fig 8, do not fully tighten until the wheel has been fitted.



**Note:** Use items 16 & 17 on these bolts if your goal is not supplied with rear wheels FPK264 (Item 19)

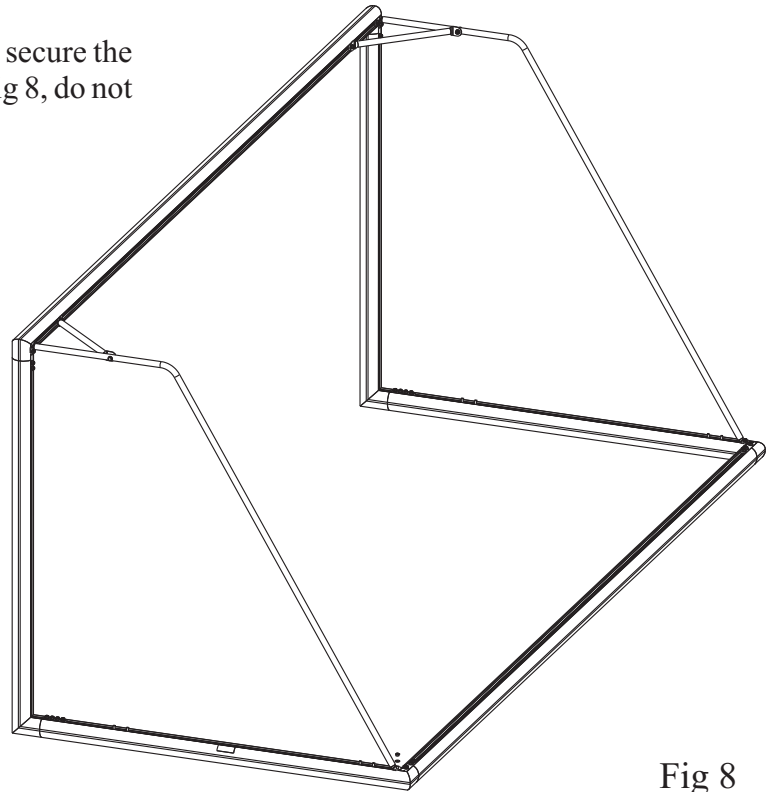


Fig 8

## Wheels

**Fitting the Wheels** - Fit the wheels as shown in the Assembly Instructions included with the Wheels (INS606). The Wheel positions are shown in Fig 9, but you must consult the Wheel Assembly Instructions for Important Operational and Maintenance information.

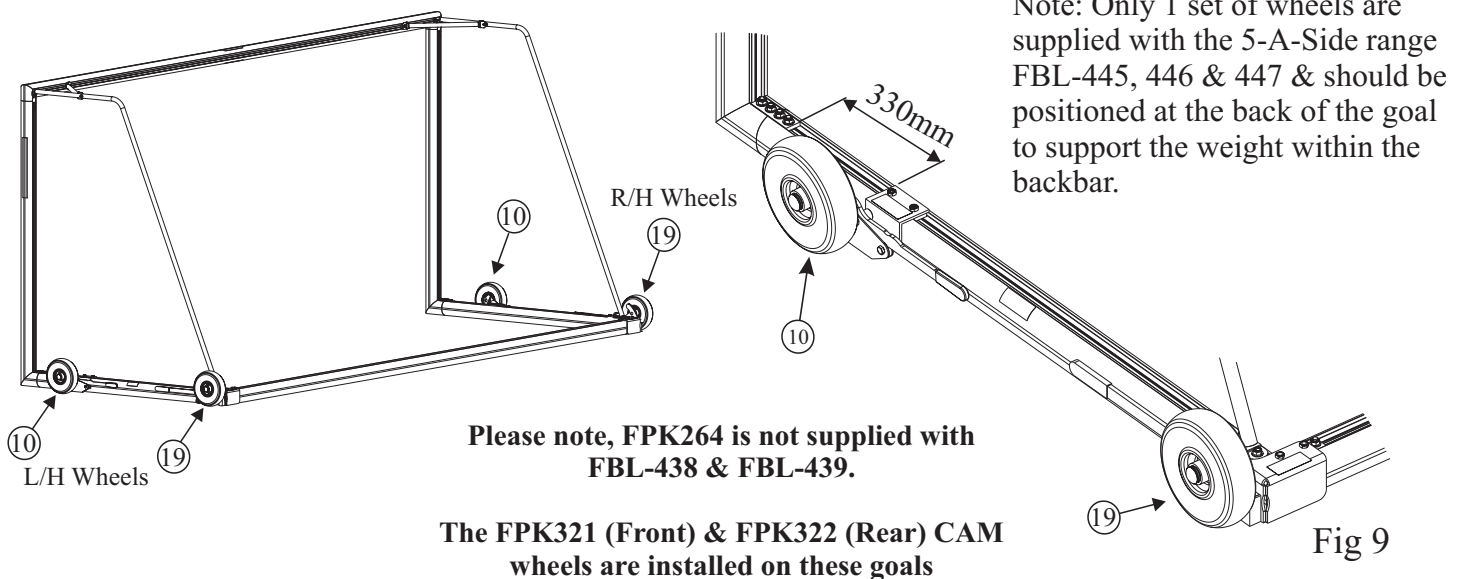


Fig 9

## Net

**Fitting the Net** - Unpack the Net (Sold separately) and identify the Crossbar edge by locating the Crossbar Label. Attach the Net Hooks to the Net approx 250mm apart, then insert the hook into the slot on the goal section and twist to lock as shown in Fig 10 (it is a good idea to fit the Net at all corners first, to make sure that it is fitted correctly).

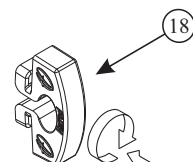


Fig 10