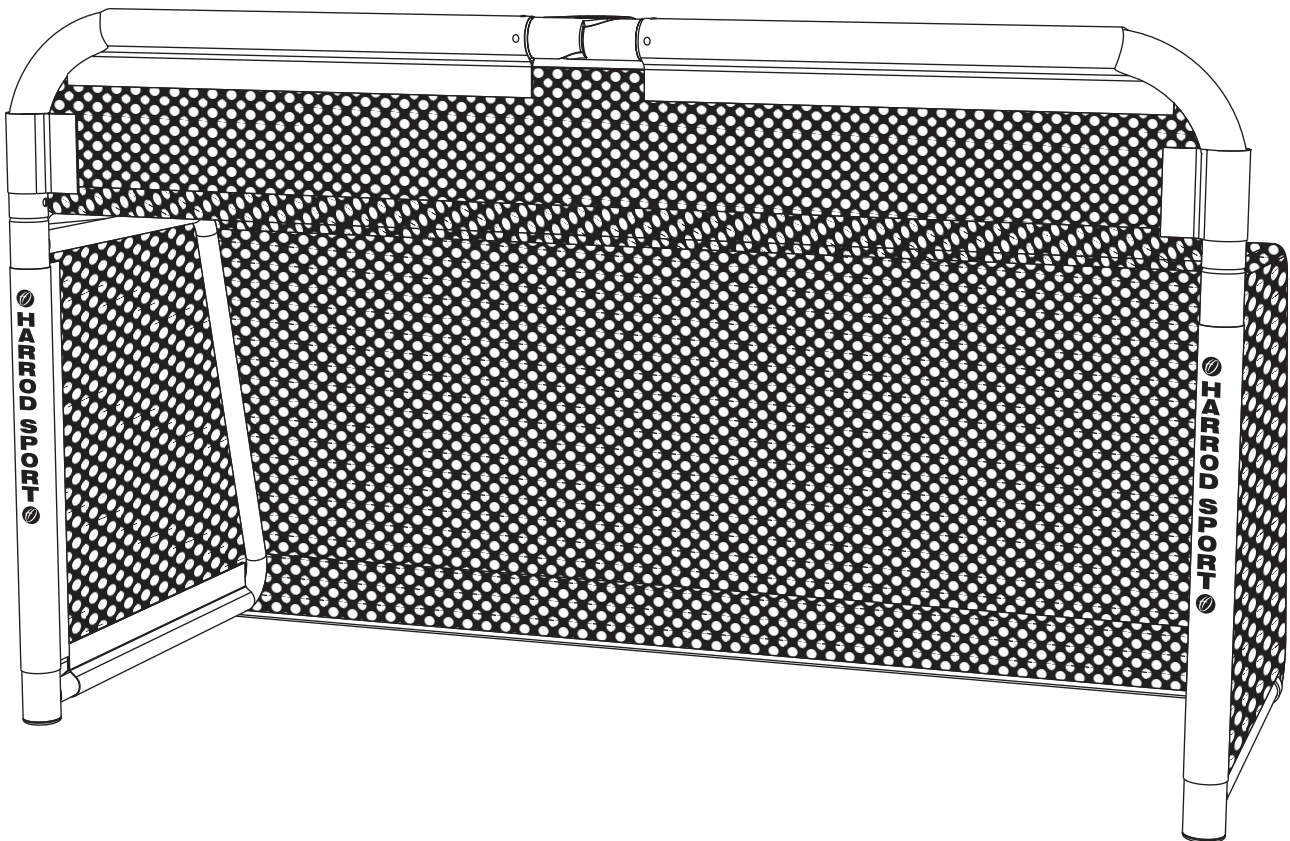




FBL-800

PANTHER 5x3ft Folding Target Goal



1 person required to set up
Estimated 5 minutes set up time

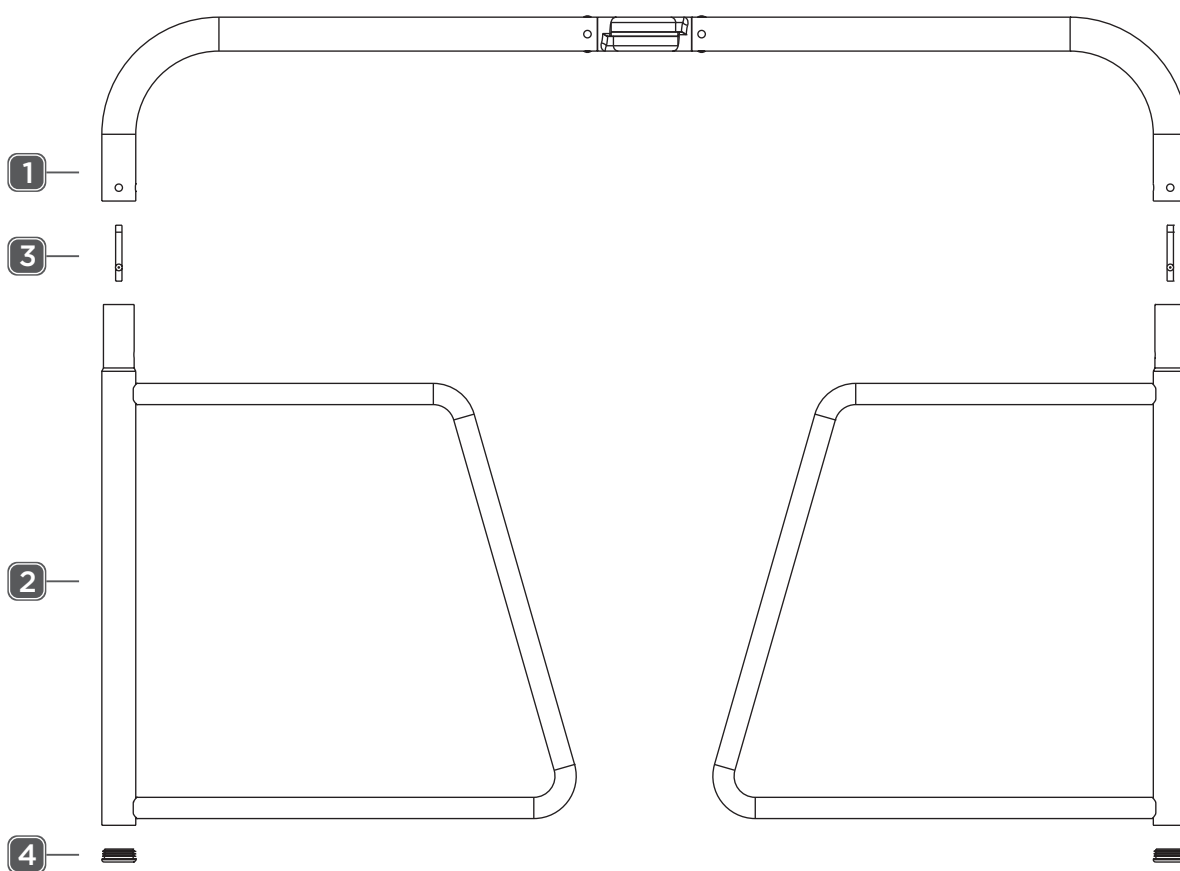


IMPORTANT: Please read these instructions carefully before unpacking your **PANTHER** Target Goal

Contents

PANTHER Target Goal

1. Hinged Crossbar
2. Sideframe
3. Spring Button Clip
4. Cap
5. Net (not shown)



1
x1
ASY720

2
x2
PEP897

3
x2
SPR107

4
x2
CAP320

5
x1
FBL-801
(not shown)

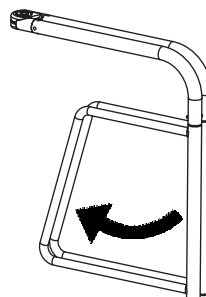
Operating



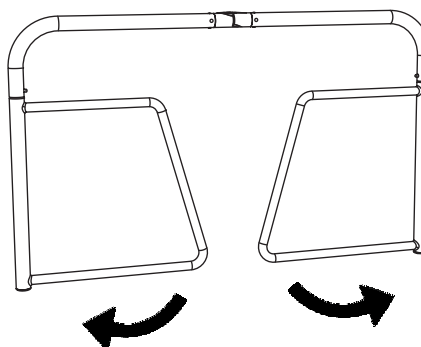
HINT: Net is not shown for clarity and does not have to be removed for any of the following steps



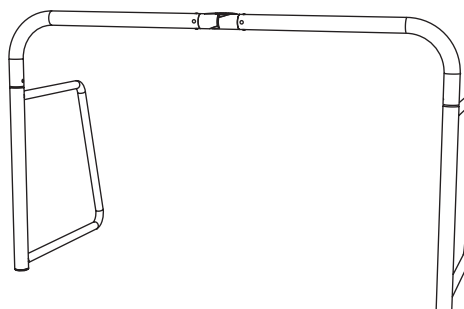
Unfold Crossbar



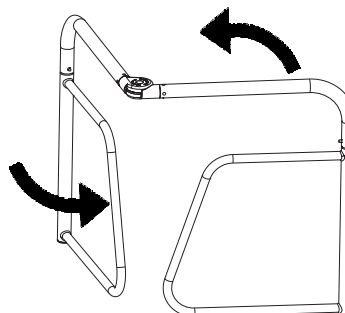
Engage Spring Buttons and unfold the Sideframes



Position Goal and enjoy!



To fold, reverse the above steps



HINT: If the button clips are hard to operate, try folding the Sideframes out before engaging the button clips

Fitting the Net



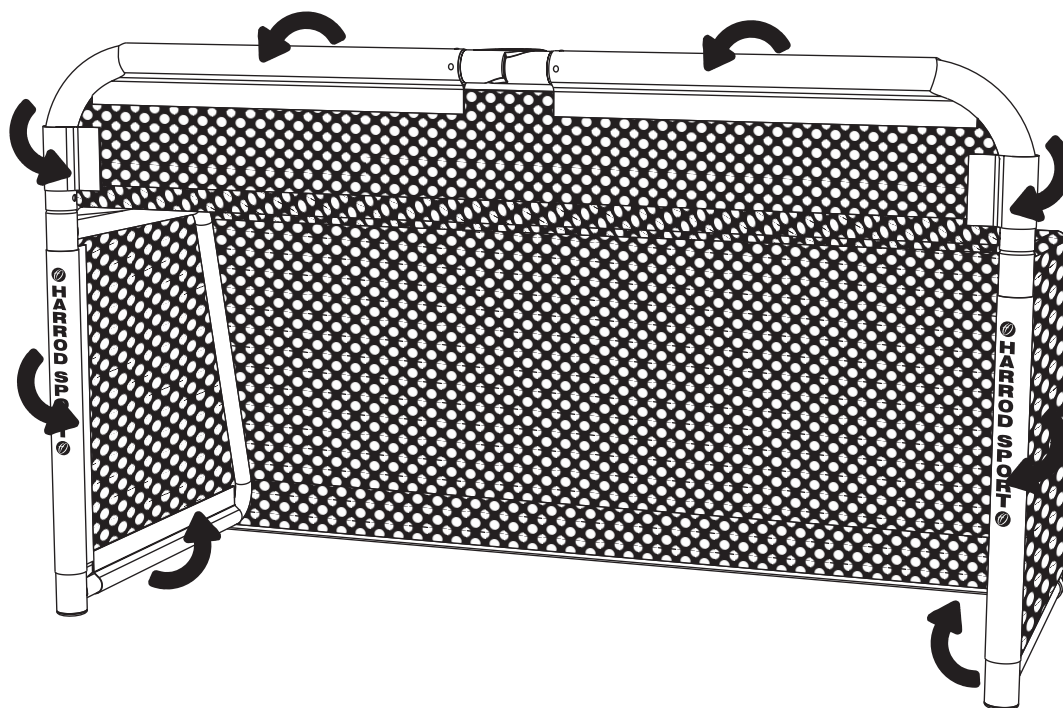
HINT: Fit Net whilst Goal is unfolded



Lay Net over the outside of Goal



Wrap Velcro around Goal, as indicated by the direction of the arrows, and attach securely



HINT: Once fitted, the Net does not have to be removed during storage or transport