

NBL-005/062

Pack Contents

NBL-015/063

- 1. NB3 Netball Upright x 2
- 1. NB3 Netball Upright White x 2
- 2. NB4 Netball Ring x 2
- 2. Nb4 Netball Ring Pink x 2
- 3. NB3 Netball Socket x 2
- 4. Netball Nets poly 2 color x 2
- 5. M10 Wingnut x 2
- 6. M10 x 75mm Hex Bolt x 2
- 7. Spring Washer x 2

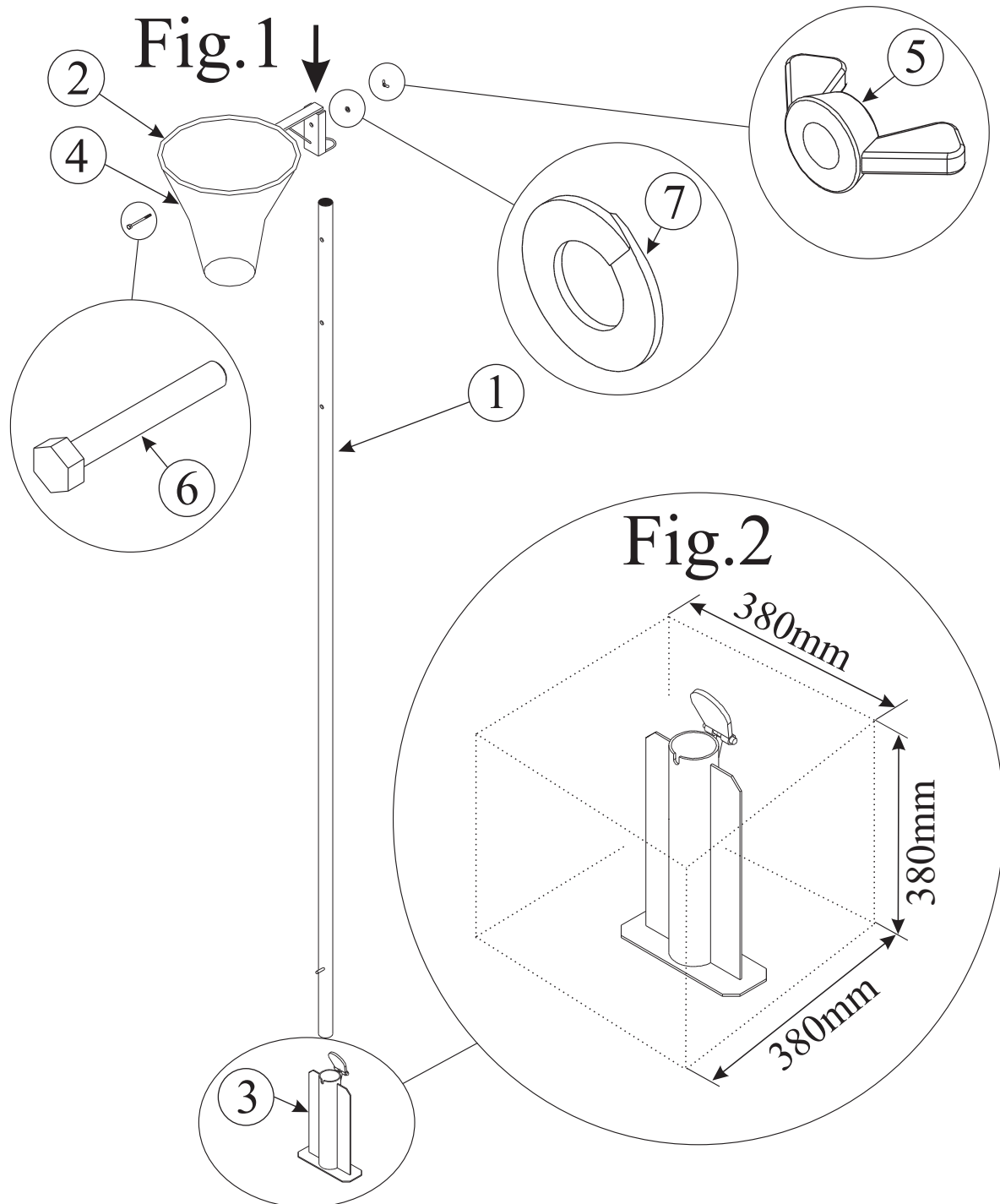
- (WEQ610)
- (NBL-043)
- (PEQ620)
- (PEQ642)
- (PEQ611)
- (NBL-001)
- (BOL203)
- (BOL285)
- (BOL713)

Please note: Pack contents for set of goals.

- 1. NB3 Netball Upright x 2
- 1. NB3 Netball Upright White x 2
- 2. Regulation Netball Ring x 2
- 2. Regulation Netball Ring Pink x 2
- 3. NB3 Netball Socket x 2
- 4. Netball Nets poly 2 color x 2
- 5. M10 Wingnut x 2
- 6. M10 x 75mm Hex Bolt x 2
- 7. Spring Washer x 2

- (WEQ610)
- (NBL-043)
- (PEQ621)
- (PEQ631)
- (PEQ611)
- (NBL-001)
- (BOL203)
- (BOL285)
- (BOL713)

View of Product



Assembly Instructions

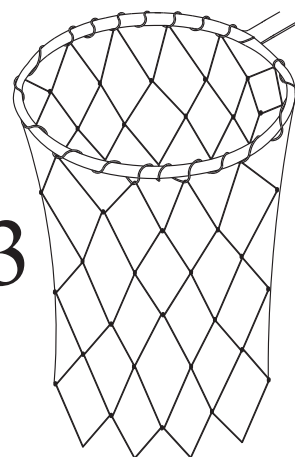
1 Using the pack contents list, identify all the parts ready to assemble.

2 Dig a hole at the required position and place the socket into hole and secure with 380mm cube of concrete. Ensure that you have the socket facing the correct way so that the anti swing pin on the upright will locate correctly, see Fig.1 & Fig.2. The top of the socket should finish flush with the finished playing surface.

3 Slide the netball ring collar (part 2) over the top of the upright (part 1) and secure with the bolt, (part 6), washer (part 7) and wingnut (part 5) at the required height. Ensure that the spring washer is used between the upright and wingnut to stop the ring vibrating loose during play. Secure ring on top hole = ring height 3.05m, Middle hole = 2.75m, Bottom hole = 2.5m.

4 Secure the net onto the ring with the twine provided, see Fig.3.

Fig.3



5 When the concrete has fully hardened, insert the upright into the socket. (**WARNING:** Do not drop post into socket, please lower in carefully to avoid damaging pin). It is recommended that the net is removed during the winter months to prevent deterioration.