

Code:NBL-003, NBL-004, NBL-013, NBL-014, OLS-300, NBL-023, NBL-024, NBL-025, NBL-026
NBL-060, NBL-061, NBL-070, NBL-071

INS590

Revision 10

16/02/15

© Harrod UK Limited

Product:

Netball Base and Upright Kits

Pack Contents

Please read all instructions before you begin to assemble your netball goal.
The pack contents are for a pair of goals with the exception of OLS-300
which is supplied as one goal only!

PARTS FOR NBL-004 & OLS-300

- | | |
|-------------------------------------|-----------|
| 1. NB4 Netball Ring x 2 | (NBL-007) |
| 1a. Netball Net x 2 | (NBL-001) |
| 2. M10 x 75mm Hex Bolt x 2 | (BOL285) |
| 3. Spring washer 10mm x 2 | (BOL713) |
| 4. 10mm Wingnut x 2 | (BOL203) |
| 5. 50mm Netball Upright x 2 | (NBL-042) |
| 11. NB2A Netball Base No Wheels x 2 | (FEP615) |

Please note: OLS-300 is supplied as 1 goal only, so pack contents must be halved.

PARTS FOR NBL-023, NBL-024, NBL-026

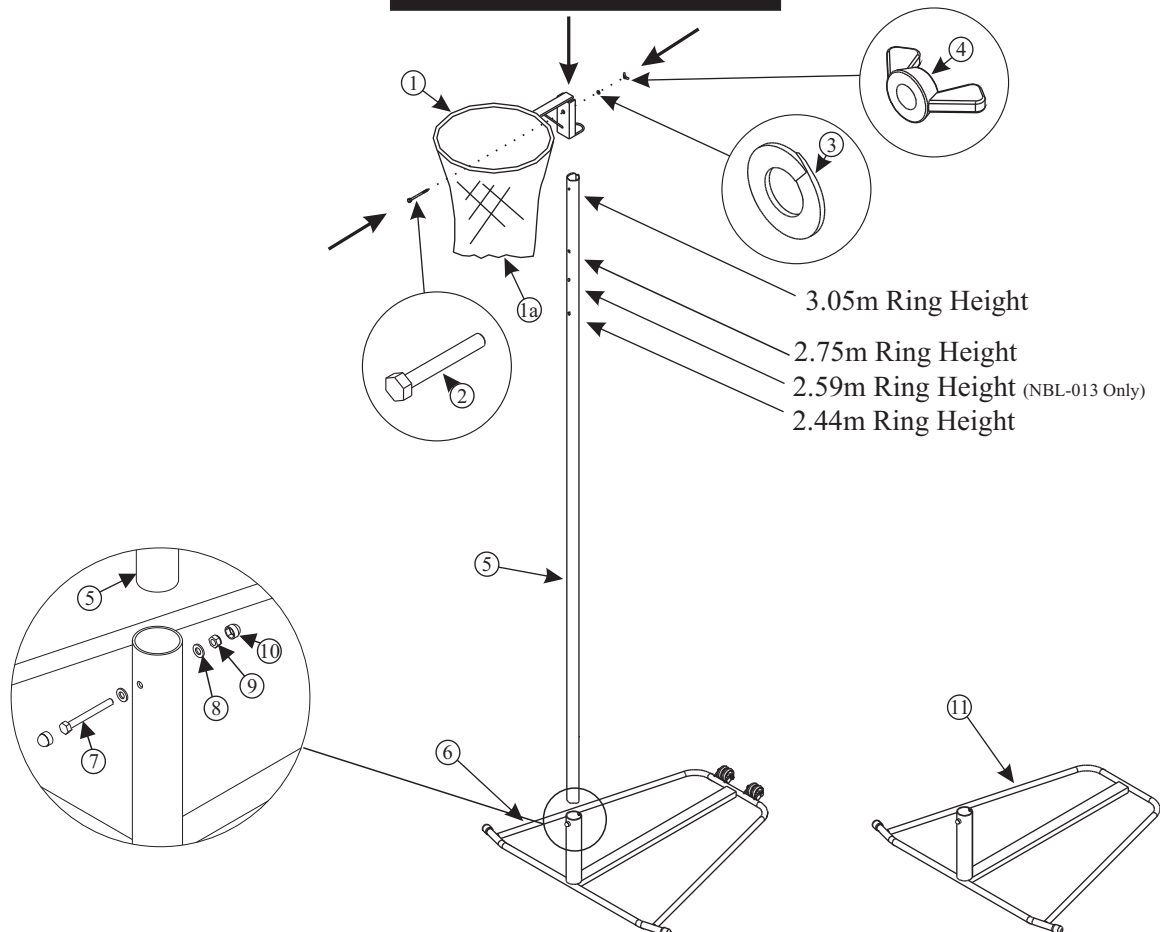
- | | |
|---|-----------|
| 1. NB4 Netball Ring x 1 For NBL-023/26 | (NBL-007) |
| 1. 16mm Netball Ring x 1 For NBL-024 | (NBL-018) |
| 1a. Netball Net x 1 | (NBL-001) |
| 2. M10 x 75mm Hex Bolt x 1 | (BOL285) |
| 3. Spring washer 10mm x 1 | (BOL713) |
| 4. 10mm Wingnut x 1 | (BOL203) |
| 5. 50mm Netball Upright x 1 | (FEP516) |
| 6. NB1A Netball Single Base x 1 | (FEP515) |
| 7. M8 x 75mm Hex Bolt x 1 | (BOL484) |
| 8. 8mm Nylon Washer x 2 | (BOL722) |
| 9. M8 Nylock Nut x 1 | (BOL402) |
| 10. M8 Nutcap x 2 | (CAP951) |
| 11. NB2A N/Ball Single Base x 1 For NBL-026 | (FEQ609) |

PARTS FOR NBL-003, NBL-013, NBL-014 & NBL-025, NBL-060, NBL-061, NBL-070, NBL-071

- | | |
|--|-----------------------|
| 1. Netball Ring 16mm Regulation for NBL-014 | (NBL-018) |
| 1. NB4 Netball Ring for NBL-003 | (NBL-007) |
| 1. Netball Ring 16mm Regulation for NBL-061 | (NBL-048) |
| 1. NB4 Netball Ring for NBL-060 | (NBL-047) |
| 1. Netball Ring 16mm Regulation for NBL-071 | (FEQ631) |
| 1. NB4 Netball Ring for NBL-070 | (FEQ632) |
| 1a. Netball Net x 2 | NBL-003/014 (NBL-001) |
| 1a. Netball Net x 2 | NBL-060/061 (NBL-009) |
| 1a. Netball Net x 1 | NBL-070/071 (NBL-009) |
| 2. M10 x 75mm Hex Bolt x 2 | (BOL285) |
| 3. Spring washer 10mm x 2 | (BOL713) |
| 4. 10mm Wingnut x 2 | (BOL203) |
| 5. 50mm Netball Upright x 2 For NBL-003 & NBL-014. | (NBL-042) |
| 5. White 50mm Netball U/Rx2 For NBL-060 & NBL-061 | (NBL-043) |
| 5. White 50mm Netball U/Rx1 For NBL-070 & NBL-071 | (FEP072) |
| 5. 50mm Dragon Netball Upright x 2 For NBL-013. | (FEP617) |
| 6. NB1A Netball Base With Wheels | (FEP514) |
| 6. NB1P Pink Netball Base With Wheels | (FEP086) |
| 6. NB1P Pink Netball Base With Wheels | (FEP071) |
| 7. M8 x 75mm Hex Bolt x 2 | (BOL484) |
| 8. 8mm Nylon Washer x 4 | (BOL722) |
| 9. M8 Nylock Nut x 2 | (BOL402) |
| 10. M8 Nutcap x 4 | (CAP951) |

Please note: NBL-025 is supplied as 1 goal only.

View of Product



Code: NBL-003, NBL-004, NBL-013, NBL-014, OLS-300, NBL-023, NBL-024, NBL-025
NBL-060, NBL-061

Product: Netball Base and Upright Kits

Assembly Instructions

1 Using the pack contents list overleaf, identify the parts required to assemble the Netball Goal purchased. Please note the pack contents vary depending on the goal purchased.

2 Fit the netball net (part 1a), to the Netball Ring (Part 1), by lashing the net to the ring using the length of twine provided.

3 Fit the ring (part 1) to the Upright Post (part 5) by sliding the collar of the ring bracket over the post and secure at one of the three height options with the bolt, spring washer and nut, (parts 2, 3 and 4). Ensure that the spring washer is fitted underneath the wingnut as shown overleaf. Also make sure that the ring is on the OPPOSITE side of the post to the locating pin for the socket.

4 Fit the post into the socket using the M8 x 75 Bolt (7), Nylon washers (8) and Nylock Nut (9). Cover the Nut/Bolt ends with the M8 Nutcap (10) This will stop the post turning around in the socket.

5 In windy conditions, it is recommended that the posts are stored horizontally to prevent any damage.

Code:

NBL-003, NBL-004, NBL-013, NBL-014, OLS-300, NBL-023, NBL-024, NBL-025
NBL-060, NBL-061

Product:

Netball Base and Upright Kits

Surface Care

Porous Macadam Surfaces - Play in hot weather

Please see below for the LTA's recommendations for play in hot weather;

“Play in hot weather

Caution should be applied when playing in hot weather as the courts may be susceptible to softening, especially in the first season after construction. Thereafter the tendency to soften should rapidly diminish. IF THE SURFACE SOFTENS STOP PLAY IMMEDIATELY because serious damage can result from continuing play.

The first sign of the problem is usually when black marks begin to appear as a result of the paint being rubbed or scuffed off. It is sometimes possible to cool a hot surface by hosing it down with cold water to allow evening play to take place.

Softening is a phenomenon usually confined to the first season, but, even thereafter for a year or two, the surface should be checked if very hot weather is experienced.”

REF: LTA Document; Porous Macadam Court Guidance - Internet <[http://www.lta.org.uk/NewWebsite/LTA/Documents/Clubs Parks and Schools/Facilities/Porus Macadam Court Guidance.pdf](http://www.lta.org.uk/NewWebsite/LTA/Documents/Clubs/Parks%20and%20Schools/Facilities/Porus%20Macadam%20Court%20Guidance.pdf)>

This also applies to the use of other court equipment. During hot conditions ensure the headline tension is removed completely to prevent any damage to the playing surface. Inspect the surface before each use and remove posts immediately if there are any signs that the posts are affecting the surface. Harrod UK will not accept any responsibility for court damage caused by use of the equipment in hot conditions. ALWAYS remove headline tension when product is not in use.